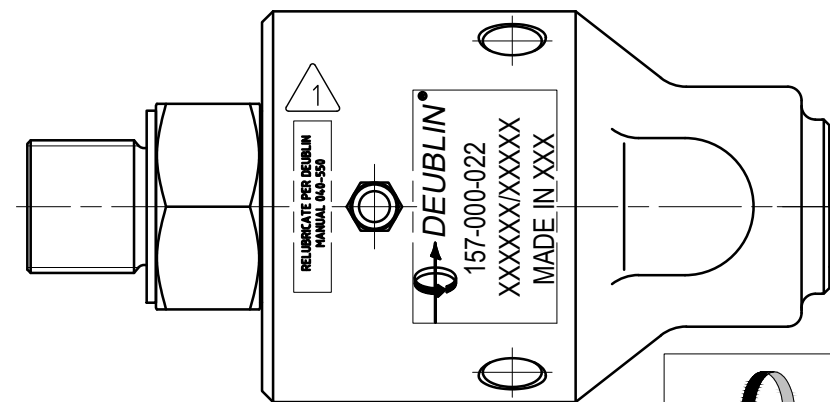
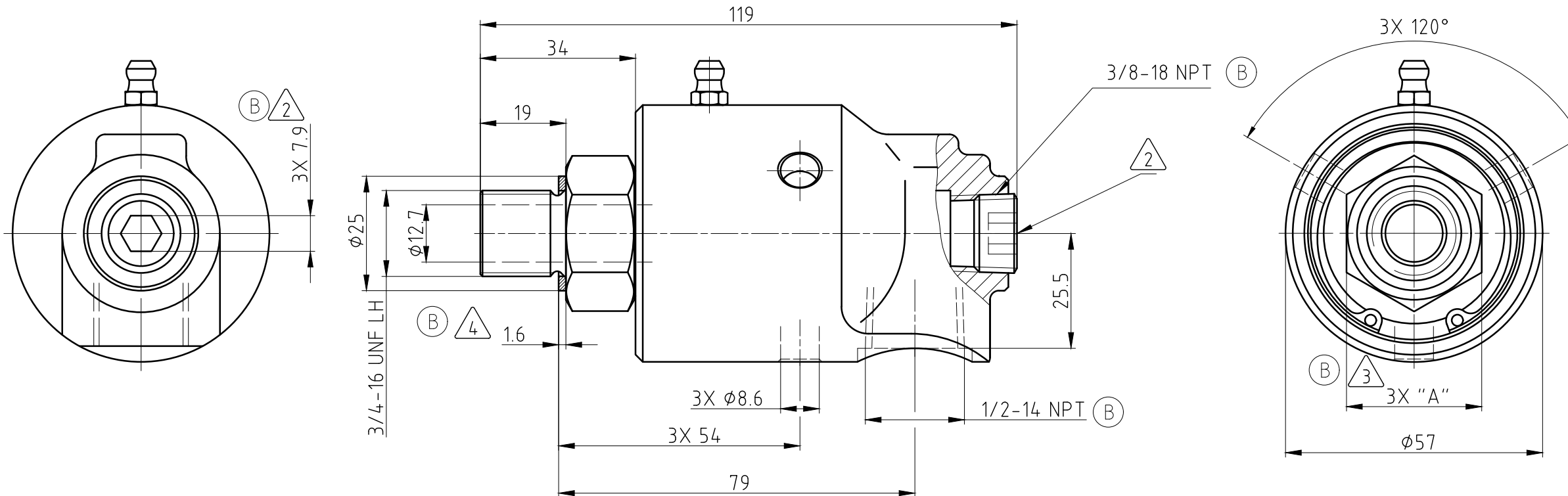


CONFIDENTIAL

The reproduction, distribution and utilization of this document as well as the communication of its contents to others without express authorization is prohibited. Offenders will be held liable for the payment of damages. All rights reserved in the event of the grant of a patent, utility model or design.

NOTES:

- ① - CONTACT DEUBLIN OR VISIT WWW.DEUBLIN.COM FOR INSTRUCTION MANUAL: 040-550
- ② - PLUG INSTALLED HAND TIGHT FROM FACTORY. IF PORT IS NOT UTILIZED, TIGHTEN BEFORE USE.
- ③ - DEPENDING ON COUNTRY OF ORIGIN, HEX STOCK MAY VARY AS NOTED. SEE TABLE FOR ACCEPTABLE WRENCH SIZES.
- ⓑ ⓐ - GASKET THICKNESS.



OPERATING DATA			
MEDIA	WATER	SATURATED STEAM (INTERMITTENT)	THERMAL OIL
PRESSURE MAX.	50 bar	1 bar	6.6 bar
SPEED MAX.	3500 min ⁻¹		
TEMPERATURE MAX.	121 °C		
DRY RUN (WITHOUT ANY MEDIA)	NO		
RECOMMENDED FILTRATION	60 micron		

HEX SIZES		WRENCHES	
UNITS	"A"	30mm	1 1/8"
METRIC [mm]	30-0.13	✓	☒
IMPERIAL [in]	.125-0.006	✓	✓

	PROJECTION:		SCALE: 1:1
	MATERIAL:		INTERFACE CONTROL DRAWING
DATE	NAME	TITLE: DEUBLIN ROTATING UNION DEUBLIN Drehdurchführung	
DRN. 13.05.2020	MZe	NO. 157-000-022	
ENGR. 13.05.2020	RMika	SHEET A3	
APPD.		UNLESS SPECIFICALLY TOLERANCED, ALL DIMENSIONS ARE CONSIDERED REFERENCE	
ISSUE/MODIFICATION	ECO	DATE	SIGN