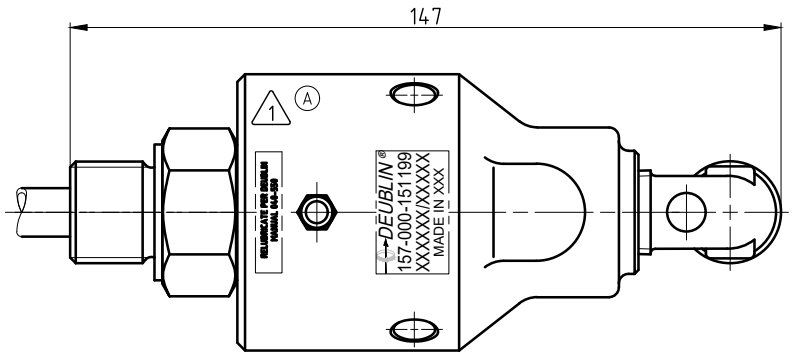
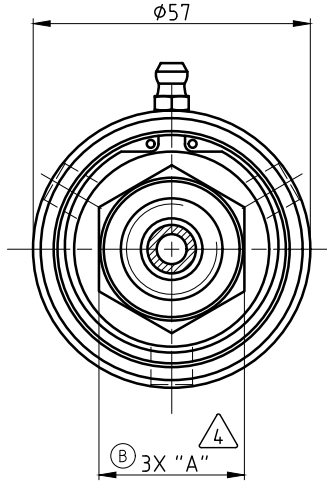
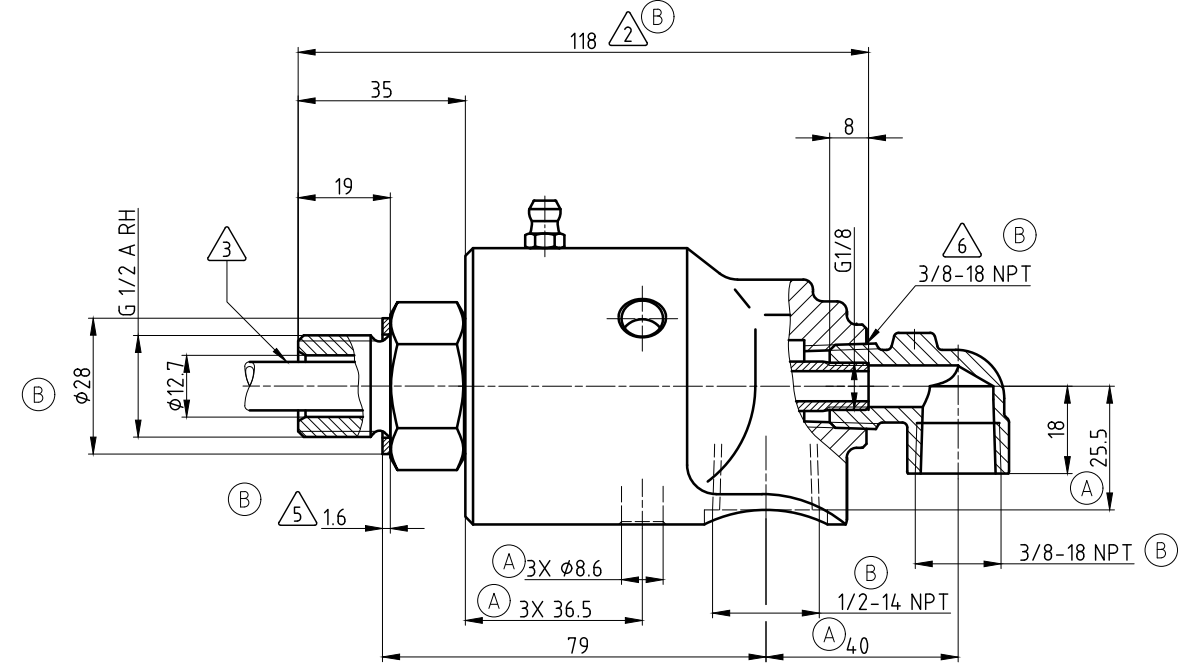
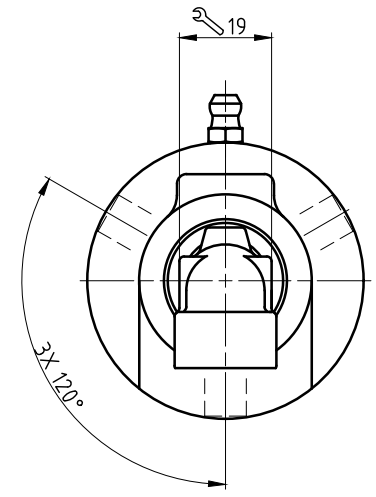


CONFIDENTIAL
 The reproduction, distribution and utilization of this document as well as the communication of its contents to others without express authorization is prohibited. Offenders will be held liable for the payment of damages. All rights reserved in the event of the grant of a patent, utility model or design.

NOTES:

- ① - CONTACT DEUBLIN OR VISIT WWW.DEUBLIN.COM FOR INSTRUCTION MANUAL: 040-550
- ② - PIPE LENGTH.
- ③ - PIPE SUPPLIED BY CUSTOMER.
- ④ - DEPENDING ON COUNTRY OF ORIGIN, HEX STOCK MAY VARY AS NOTED. SEE TABLE FOR ACCEPTABLE WRENCH SIZES.

- ⑤ - GASKET THICKNESS.
- ⑥ - FITTING TO BE ASSEMBLED HAND-TIGHT, OR MAY BE SHIPPED UNASSEMBLED.



OPERATING DATA			
MEDIA	WATER	SATURATED STEAM (INTERMITTENT)	THERMAL OIL
PRESSURE MAX.	50 bar	1 bar	6.6 bar
SPEED MAX.	3500 min ⁻¹		
TEMPERATURE MAX.	121 °C		
DRY RUN (WITHOUT ANY MEDIA)	NO		
RECOMMENDED FILTRATION	60 micron		

④	HEX SIZES		WRENCHES	
	UNITS	"A"	30mm	1 1/8"
METRIC [mm]	30-0.13	✓	☒	
IMPERIAL [in]	1.125-0.006	✓	✓	



PROJECTION:	SCALE: 1:1	TITLE: DEUBLIN ROTATING UNION DEUBLIN Drehdurchführung
MATERIAL:	INTERFACE CONTROL DRAWING	
DATE	NAME	NO. 157-000-151199
DRN. 20.05.2014	MV	
ENGR. 20.05.2014	CW	
APPD.		SHEET A2
ISSUE	MODIFICATION	
ECO	DATE	
SIGN		

UNLESS SPECIFICALLY TOLERANCED, ALL DIMENSIONS ARE CONSIDERED REFERENCE