

CONFIDENTIAL

The reproduction, distribution and utilization of this document as well as the communication of its contents to others without express authorization is prohibited. Offenders will be held liable for the payment of damages. All rights reserved in the event of the grant of a patent, utility model or design.

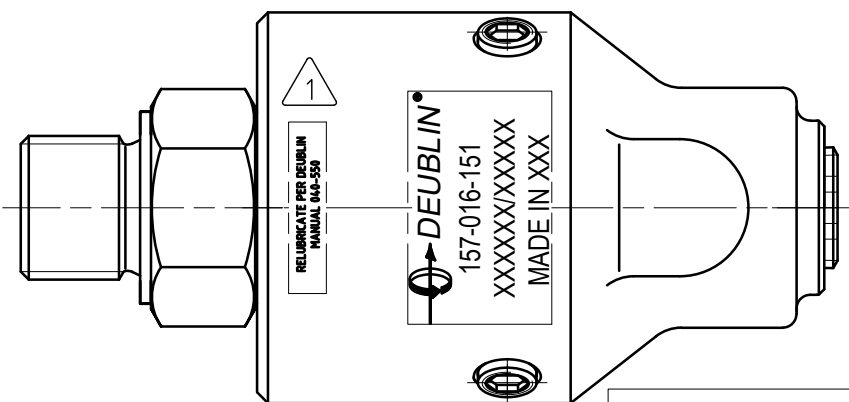
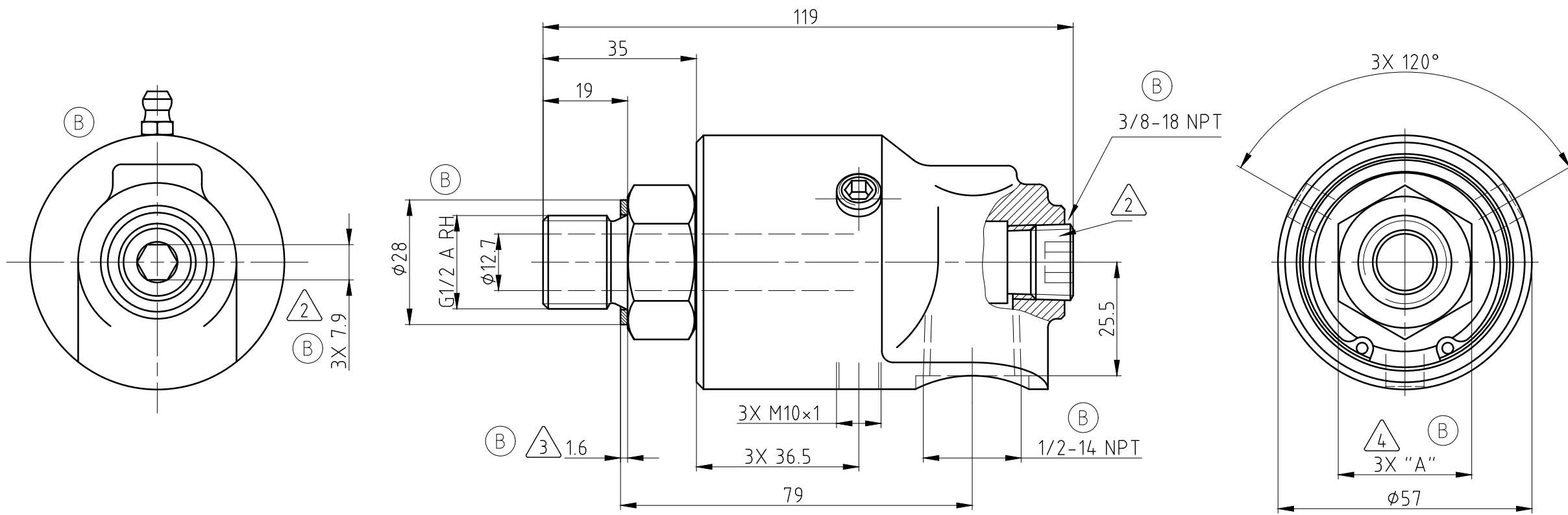
NOTES:

① - CONTACT DEUBLIN OR VISIT WWW.DEUBLIN.COM FOR INSTRUCTION MANUAL: 040-550

② - PLUG INSTALLED HAND TIGHT FROM FACTORY. IF PORT IS NOT UTILIZED, TIGHTEN BEFORE USE.

③ - GASKET THICKNESS.

④ - DEPENDING ON COUNTRY OF ORIGIN, HEX STOCK MAY VARY AS NOTED. SEE TABLE FOR ACCEPTABLE WRENCH SIZES.



OPERATING DATA			
MEDIA	WATER	SATURATED STEAM (INTERMITTENT)	THERMAL OIL
PRESSURE MAX.	50 bar	1 bar	6.6 bar
SPEED MAX.	3500 min <sup>-1</sup>		
TEMPERATURE MAX.	121 °C		
DRY RUN (WITHOUT ANY MEDIA)	NO		
RECOMMENDED FILTRATION	60 micron		

④	HEX SIZES		WRENCHES	
	UNITS	"A"	30mm	1 1/8"
	METRIC [mm]	30-0.13	✓	☒
	IMPERIAL [in]	1.125-0.006	✓	✓

DEUBLIN  
HOERBIGER Rotary Solutions

PROJECTION:

SCALE: 1:1

MATERIAL: INTERFACE CONTROL DRAWING

TITLE: DEUBLIN ROTATING UNION  
DEUBLIN Drehdurchführung

NO. 157-016-151

SHEET A3

ISSUE/MODIFICATION	ECO	DATE	SIGN
B	SEE ECO	60341 03/21	MSk
A	SEE ECO	056312 05/20	MZe

UNLESS SPECIFICALLY TOLERANCED, ALL DIMENSIONS ARE CONSIDERED REFERENCE