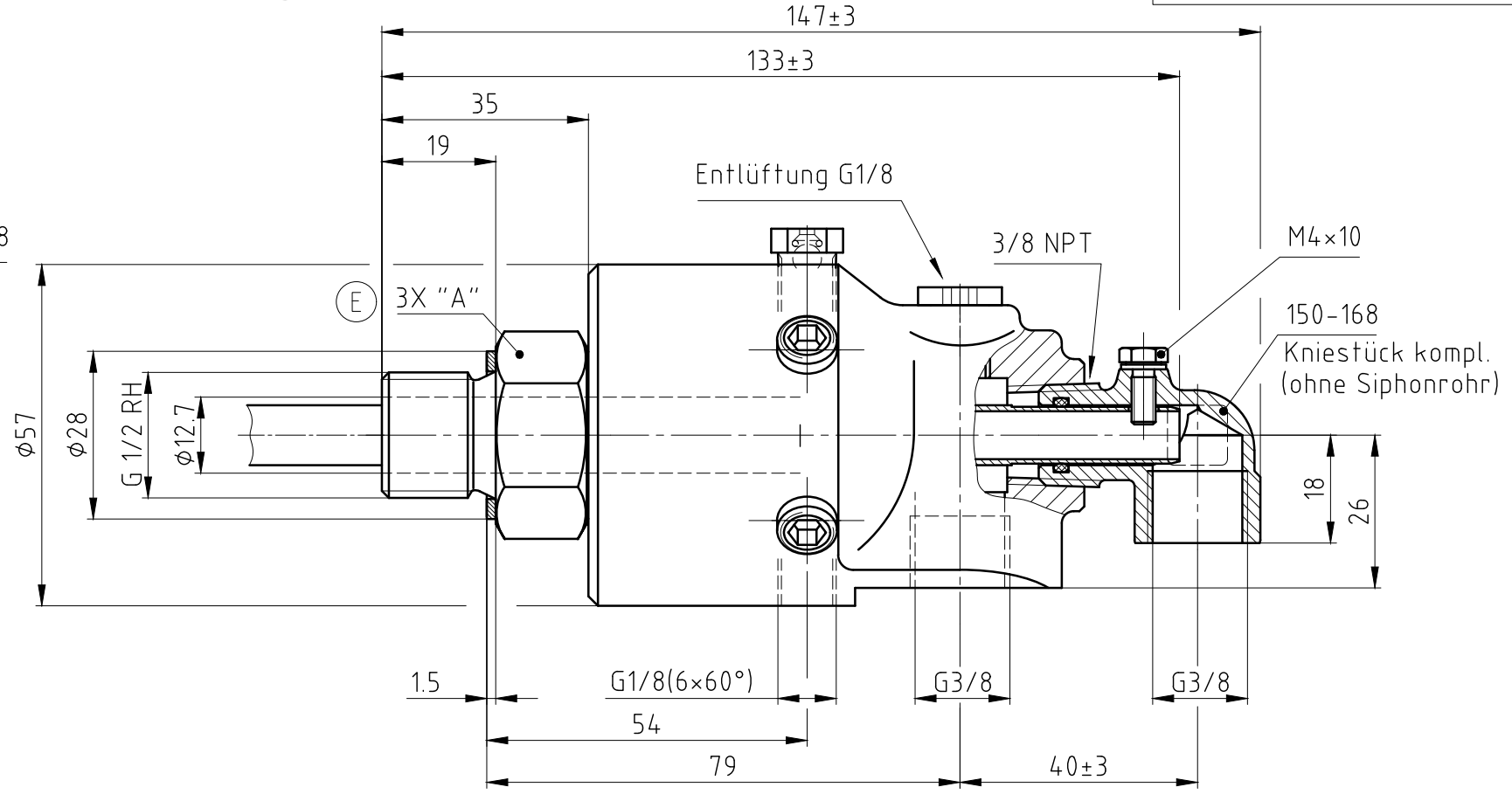
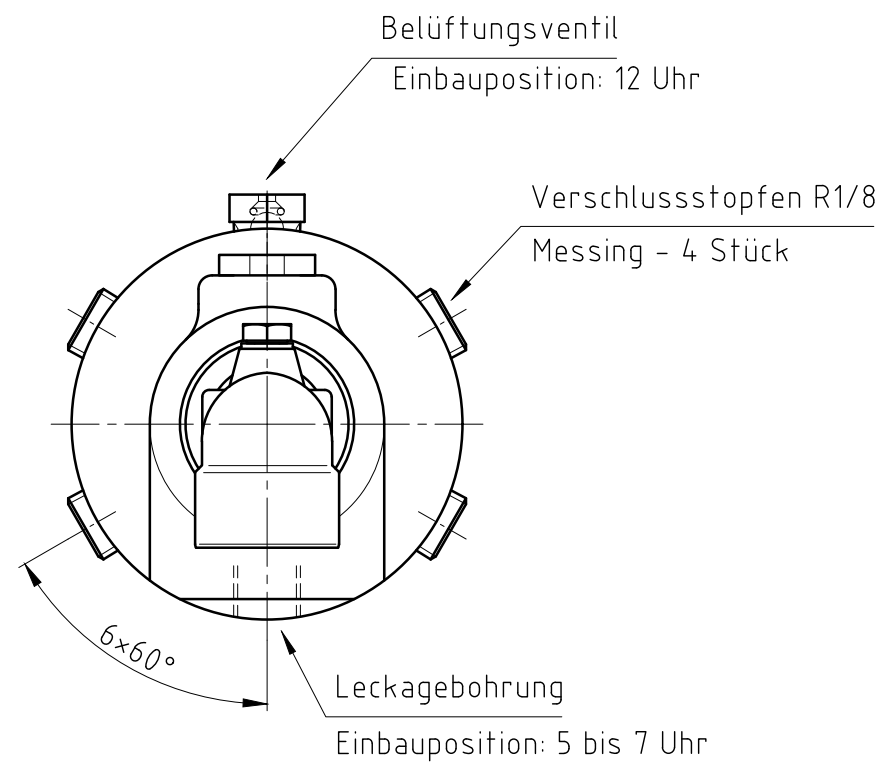
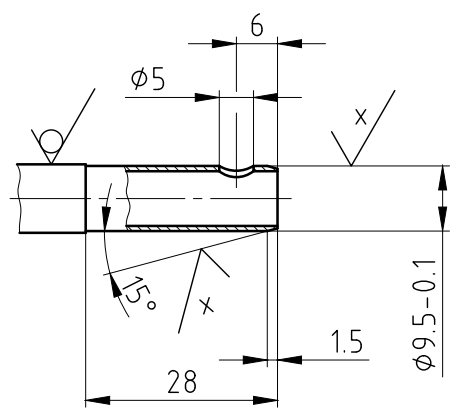


1 - DEPENDING ON COUNTRY OF ORIGIN, HEX STOCK MAY VARY AS NOTED. SEE TABLE (E) FOR ACCEPTABLE WRENCH SIZES.

CONFIDENTIAL
THIS DOCUMENT CONTAINS CONFIDENTIAL AND PROPRIETARY INFORMATION OF DEUBLIN COMPANY. COPYING, USE, TRANSMISSION, DISTRIBUTION, AND DISCLOSURE ARE SUBJECT TO THE TERMS AND CONDITIONS CONTAINED IN YOUR AGREEMENT WITH DEUBLIN COMPANY. ALL RIGHTS RESERVED.



Siphonrohr vom Kunden zu stellen.



Lieferzustand:
Kniestück (Best. Nr. 150-168), Belüftungsventil,
Entlüftung und Verschlussstopfen lose eingeschraubt.

OPERATING DATA / Betriebsdaten		
MEDIA/Medium	Water	Wasser
p max.	150 PSI	10 bar
n max.	3500 RPM	3500 1/min
t max.	200 °F	90 °C
FILTRATION/Filterung	60 µm	60 µm
DRY RUN/Trockenlauf	72 h at 1200 RPM	72 h bei 1200 1/min

w	12.5	Rz=63
x	3.2	Rz=20
y	0.8	Rz=6.3
z	0.1	Rz=1

(E) 1	HEX SIZES		WRENCHES	
	UNITS	"A"	30mm	1 1/8"
METRIC [mm]	30-0.13	✓	✗	
IMPERIAL [in]	1.125-0.006	✓	✓	

DEUBLIN
HOERBIGER Rotary Solutions

PROJECTION:

SCALE: 1:1 Z:\UNIONS\

MATERIAL: INTERFACE CONTROL DRAWING

TITLE: DEUBLIN ROTATING UNION
DEUBLIN Drehdurchführung

NO. 157-028-125-168 SHEET A3

ISSUE	MODIFICATION	ECO	DATE	SIGN
E	SEE ECO	055948	06/20	MTS
d	METR.DWG/war 095-1	06145	19.06.06	FD ENGR.
c	war Rp1/8	06136	06.06.06	FD APPD.
b	Messing hinzu	05125	15.08.05	Huhn
a	war 48 h Trockenlauf	05119	02.08.05	Huhn

UNLESS SPECIFICALLY TOLERANCED, ALL DIMENSIONS ARE CONSIDERED REFERENCE