

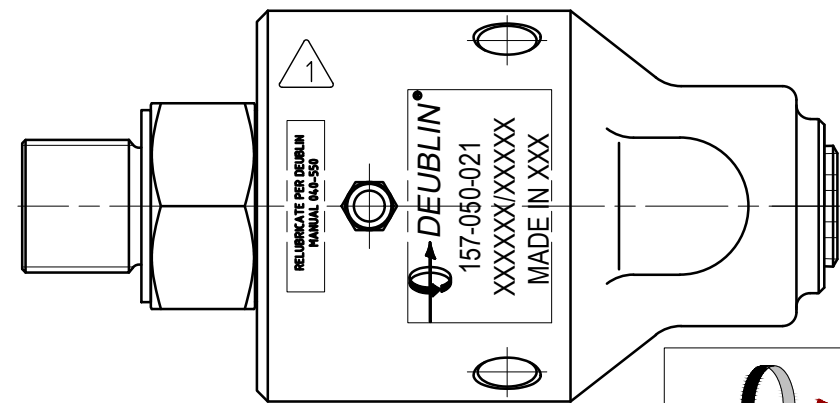
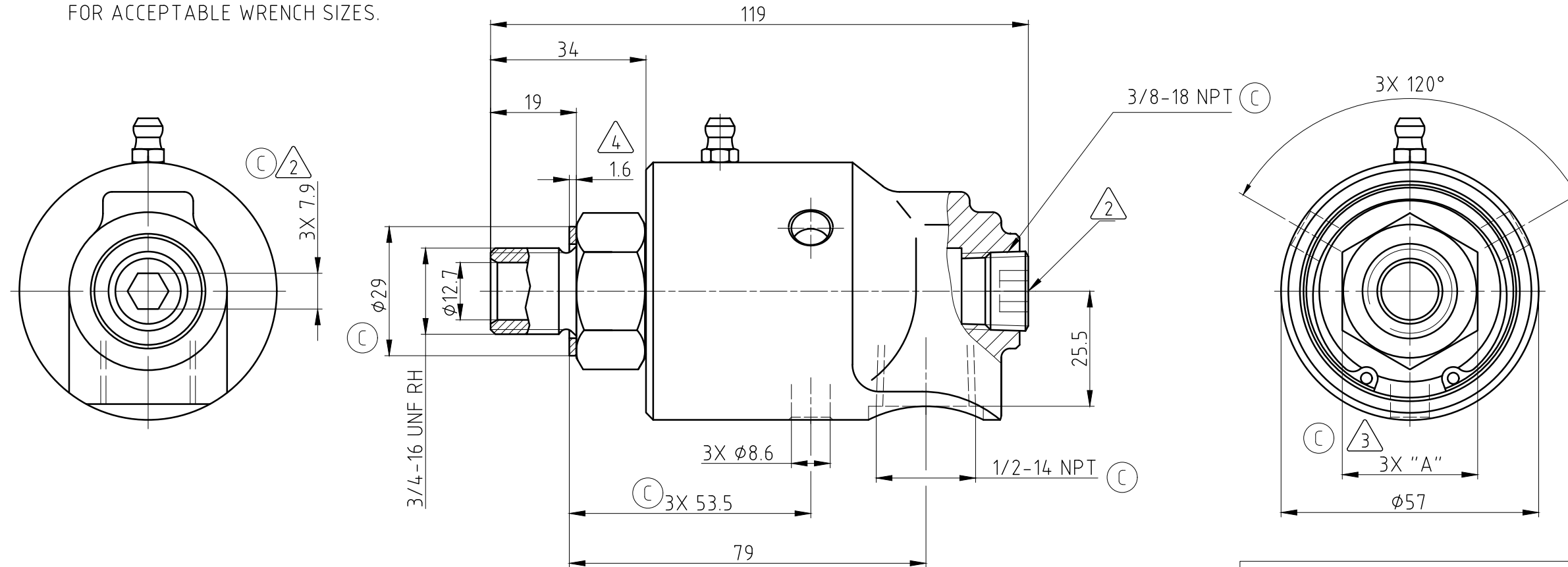
CONFIDENTIAL

The reproduction, distribution and utilization of this document as well as the communication of its contents to others without express authorization is prohibited. Offenders will be held liable for the payment of damages. All rights reserved in the event of the grant of a patent, utility model or design.

NOTES:

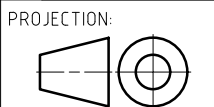
- ① - CONTACT DEUBLIN OR VISIT WWW.DEUBLIN.COM FOR INSTRUCTION MANUAL: 040-550
- ② - PLUG INSTALLED HAND TIGHT FROM FACTORY. IF PORT IS NOT UTILIZED, TIGHTEN BEFORE USE.
- ③ - DEPENDING ON COUNTRY OF ORIGIN, HEX STOCK MAY VARY AS NOTED. SEE TABLE FOR ACCEPTABLE WRENCH SIZES.

④ - GASKET THICKNESS.



OPERATING DATA		
MEDIA	WATER	THERMAL OIL
PRESSURE MAX.	50 bar	6.6 bar
SPEED MAX.	3500 min ⁻¹	
TEMPERATURE MAX.	93 °C	
DRY RUN (WITHOUT ANY MEDIA)	NO	
RECOMMENDED FILTRATION	60 micron	

③	HEX SIZES		WRENCHES	
	UNITS	"A"	30mm	1 1/8"
	METRIC [mm]	30-0.13	✓	☒
	IMPERIAL [in]	.125-0.006	✓	✓



SCALE: 1:1
MATERIAL: INTERFACE CONTROL DRAWING

ISSUE/MODIFICATION	ECO	DATE	SIGN
C	SEE ECO	058092 11/20	MZe
B	CHG TABLE	056931 08/20	RMika
A	SEE ECO	056309 05/20	MZe

DATE: 13.05.2020
NAME: MZe
ENGR: 13.05.2020
RMika
TITLE: DEUBLIN ROTATING UNION
DEUBLIN Drehdurchführung
NO. 157-050-021
SHEET A3

UNLESS SPECIFICALLY TOLERANCED, ALL DIMENSIONS ARE CONSIDERED REFERENCE