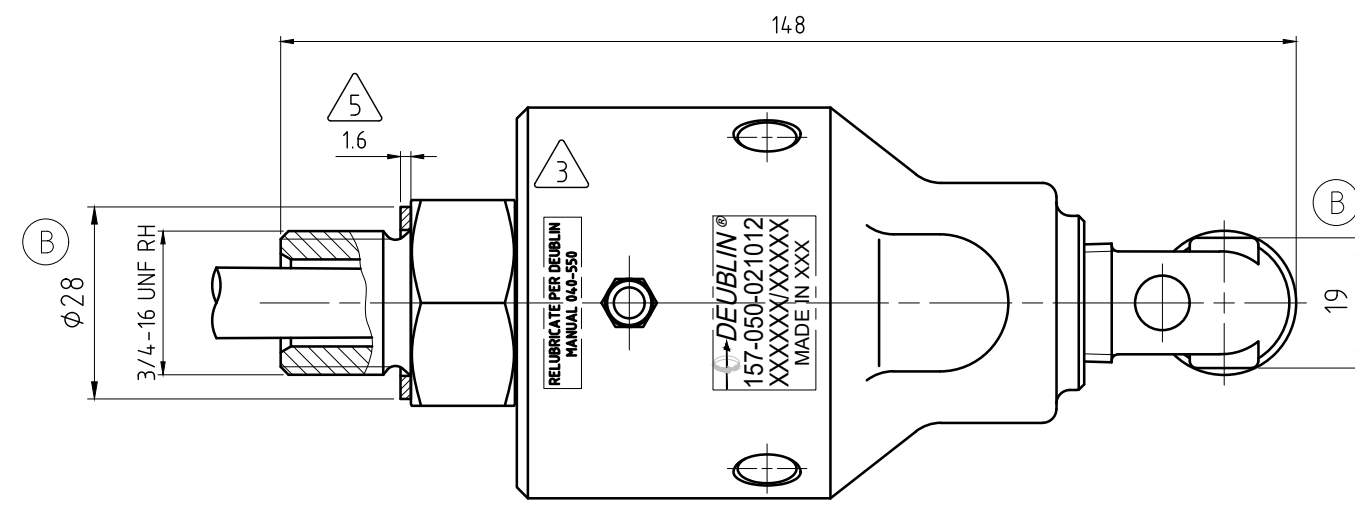
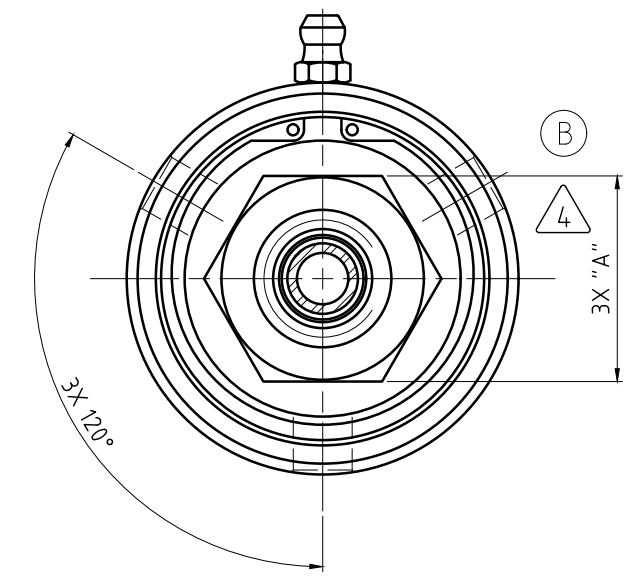
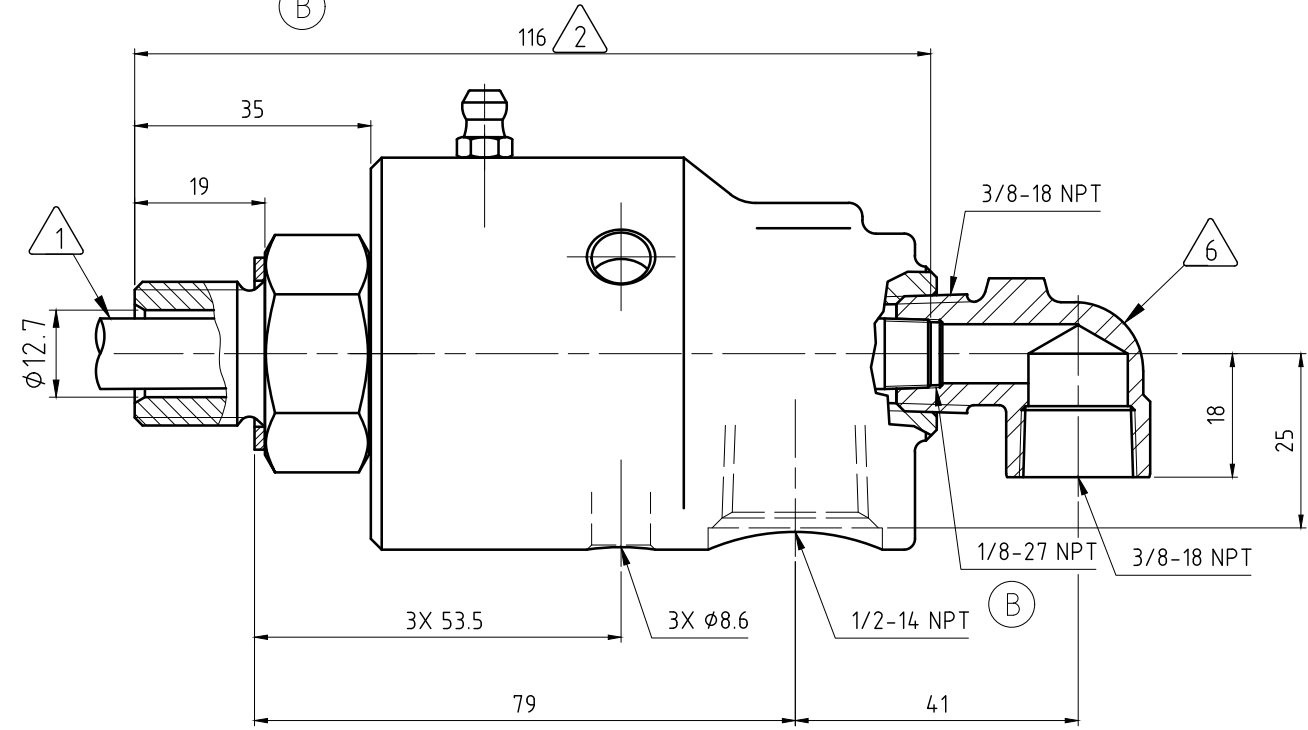
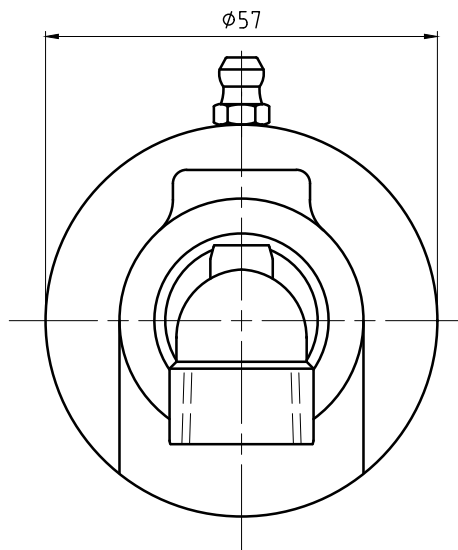


CONFIDENTIAL

The reproduction, distribution and utilization of this document as well as the communication of its contents to others without express authorization is prohibited. Offenders will be held liable for the payment of damages. All rights reserved in the event of the grant of a patent, utility model or design.

NOTES:

- 1 - PIPE SUPPLIED BY CUSTOMER.
- 2 - PIPE LENGTH.
- 3 - CONTACT DEUBLIN OR VISIT WWW.DEUBLIN.COM FOR INSTRUCTION MANUAL: 040-550
- 4 - DEPENDING ON COUNTRY OF ORIGIN, HEX STOCK MAY VARY AS NOTED. SEE TABLE FOR ACCEPTABLE WRENCH SIZES.
- 5 - GASKET THICKNESS.
- 6 - FITTING TO BE ASSEMBLED HAND-TIGHT, OR MAY BE SHIPPED UNASSEMBLED.



OPERATING DATA		
MEDIA	WATER	THERMAL OIL
PRESSURE MAX.	50 bar	6.6 bar
SPEED MAX.	3500 min ⁻¹	
TEMPERATURE MAX.	93 °C	
DRY RUN (WITHOUT ANY MEDIA)	NO	
RECOMMENDED FILTRATION	60 micron	

HEX SIZES		WRENCHES	
UNITS	"A"	30mm	1/8"
METRIC [mm]	30-0.13	✓	☒
IMPERIAL [in]	1.125-0.006	✓	✓

PROJECTION:

SCALE: 1:1

MATERIAL: INTERFACE CONTROL DRAWING

DATE	NAME	TITLE:
DRN. 13.01.2020	MSk	DEUBLIN UNION
ENGR. 13.01.2020	RMika	
APPD.		

ISSUE/MODIFICATION	ECO	DATE	SIGN
B	SEE ECO	058092	11/20 MSk
A	SEE ECO	056931	08/20 RMika

UNLESS SPECIFICALLY TOLERANCED, ALL DIMENSIONS ARE CONSIDERED REFERENCE

NO. 157-050-021012	SHEET A3
--------------------	----------