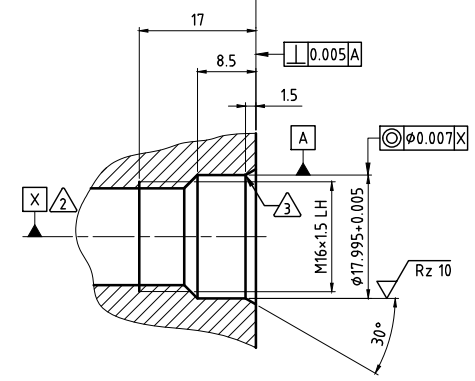
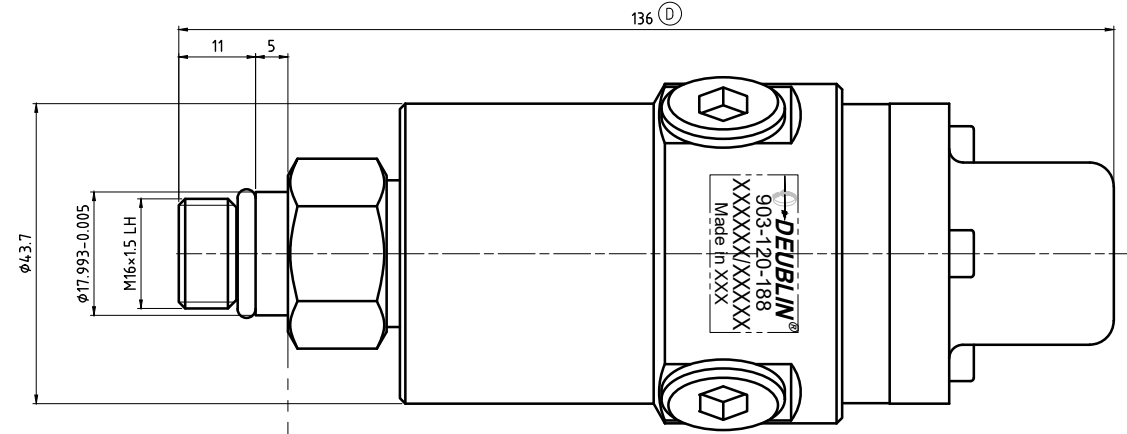
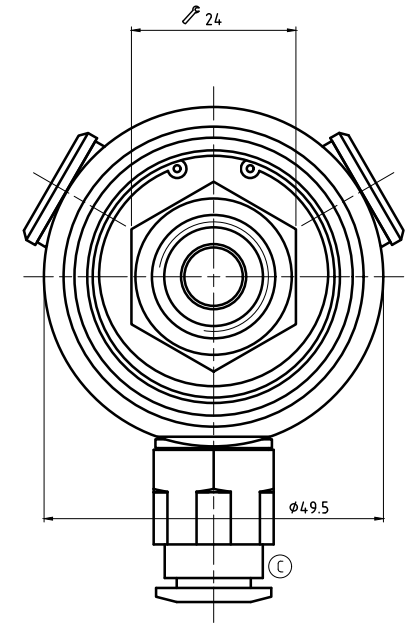
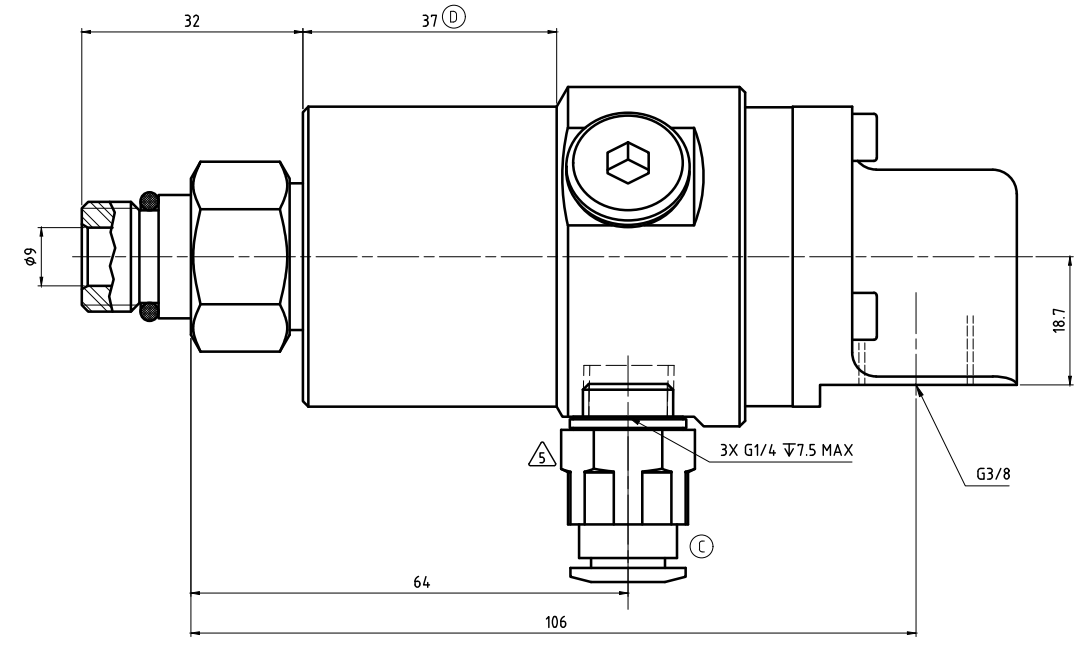
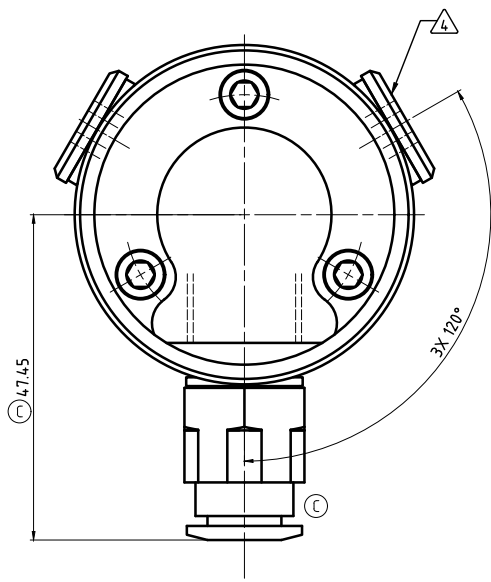


- NOTES:
 1 - CONTACT DEUBLIN OR VISIT WWW.DEUBLIN.COM FOR INSTRUCTION MANUAL: 040-553
 ⚠ - SPINDLE BEARING ARRANGEMENT
 ⚠ - ROUNDED
 ⚠ - 2X PIPE PLUG G 1/4
 ⚠ - PUSH TO CONNECT FITTING, 10mm OD TUBE



CUSTOMER INTERFACE

OPERATING DATA		
MEDIA	COOLANT	MQL
PRESSURE MAX.	105 bar	10 bar
SPEED MAX.	15000 min ⁻¹	12000 min ⁻¹
TEMPERATURE MAX.	71°C	71°C
FLOW RATE MAX.	82 l/min	2550 Nl/min
DRY RUN (WITHOUT ANY MEDIA)	UNLIMITED	

	PROJECTION:	SCALE: 2:1	MATERIAL: CARBON GRAPHITE, FOOD SAFE, 033-3216 TITLE: DEUBLIN ROTATING UNION DEUBLIN Drehdurchführung NO. 903-120-188
	DATE: 10/27/15 NAME: T. Christian DRN: 10/27/15 ENGR: 11/04/15 L. Freed	DATE: 04/16 NAME: NR DRN: 035345 ENGR: 11/15 TC: TC APPD:	