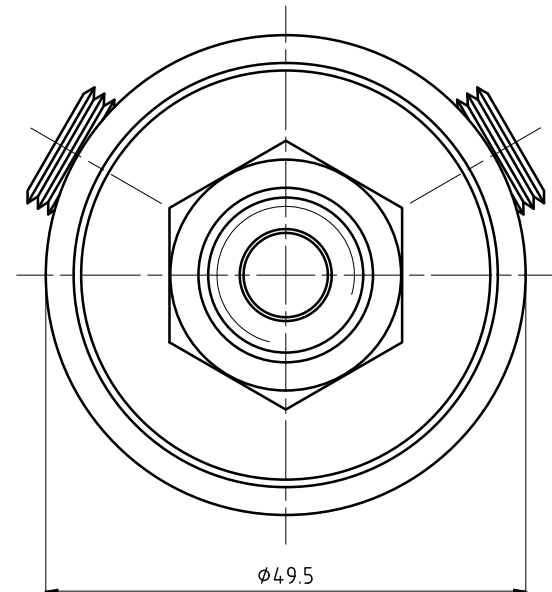
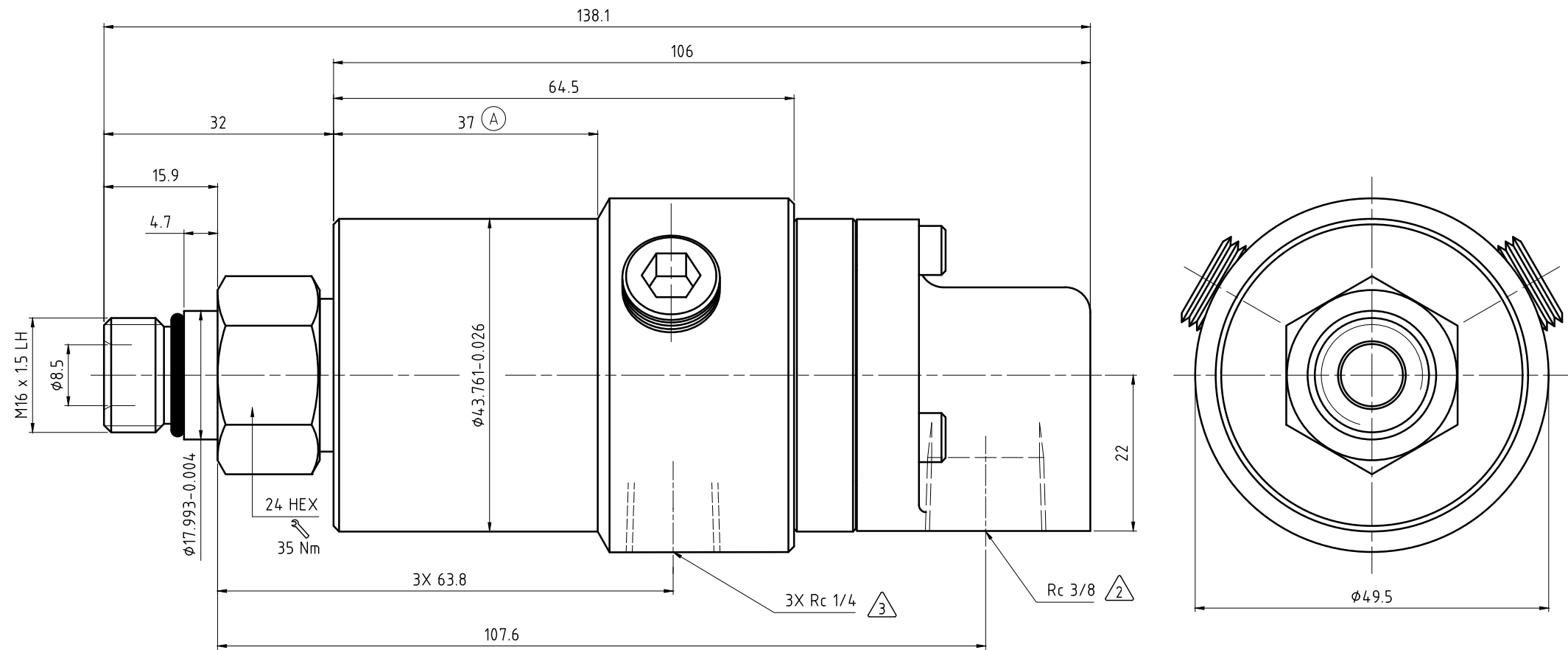
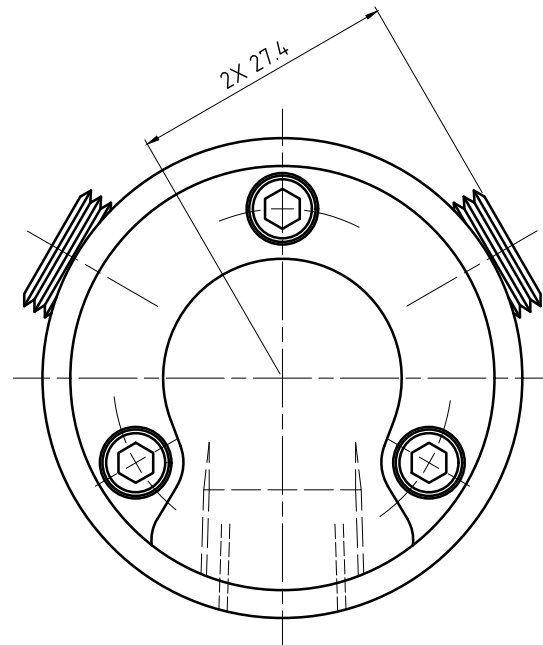


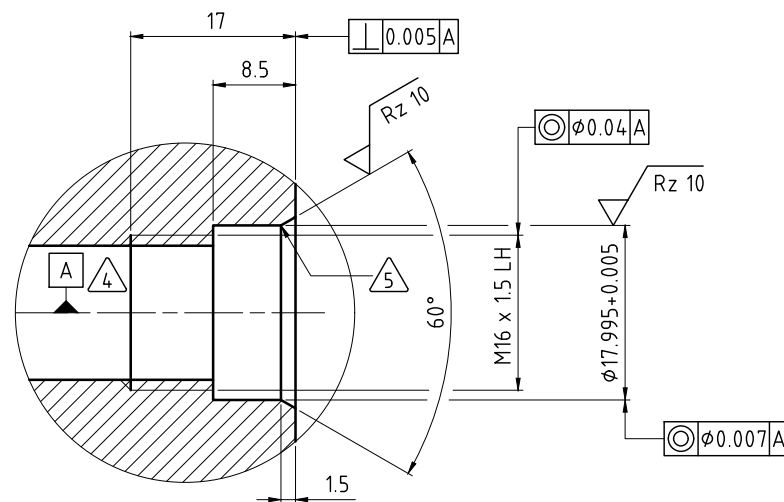
NOTES:

1 - CONTACT DEUBLIN OR VISIT WWW.DEUBLIN.COM  
 FOR INSTRUCTION MANUAL: 040-502

- ② - MEDIA PORT
- ③ - DRAIN
- ④ - SPINDLE BEARING ARRANGEMENT
- ⑤ - ROUNDED



CUSTOMER INTERFACE



OPERATING DATA			
MEDIA	②	COOLANT	SQL
MEDIA PRESSURE	MAXIMUM	105 bar	10 bar
	MINIMUM	4 bar	4 bar
FLOW RATE	MAXIMUM	82 L/min	2550 NL/min
	MINIMUM	6 L/min	360 NL/min
TEMPERATURE	MAXIMUM	70 °C	70 °C
	MINIMUM	5 °C	5 °C
MAXIMUM SPEED		15000 min <sup>-1</sup>	12000 min <sup>-1</sup>
UNPRESSURIZED DRY RUN		UNLIMITED	
RECOMMENDED FILTRATION		ISO 4406 CLASS 17/15/12	



PROJECTION: SCALE: 2:1  
 MATERIAL: INTERFACE CONTROL DRAWING

DATE	NAME	TITLE
DRN. 03/17/2016	lgalindo	DEUBLIN POP-OFF UNION
ENGR. 03/18/2016	lfreed	
APPD.		

NO.	DATE	BY	REASON
A	10/19	MA	INCREASE IN LENGTH
		ECO	ISSUE MODIFICATION

NO. 903-140-188  
 SHEET A2

UNLESS SPECIFICALLY TOLERANCED, ALL DIMENSIONS ARE CONSIDERED REFERENCE