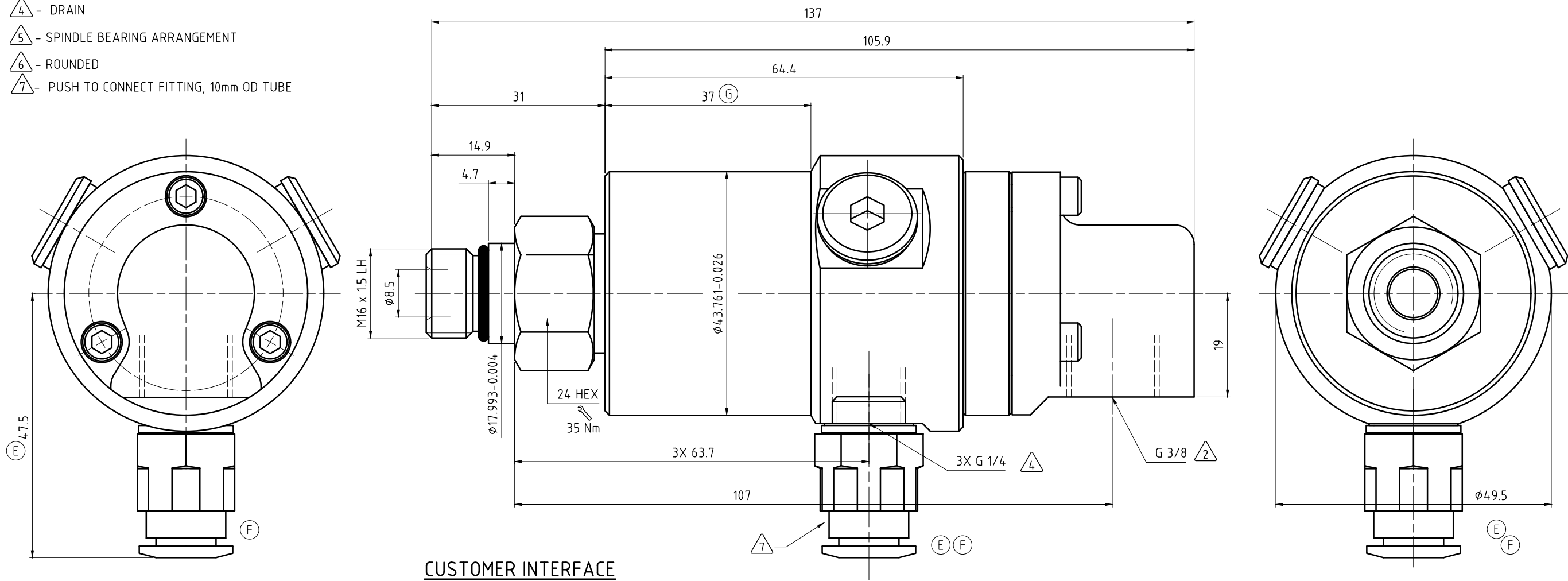


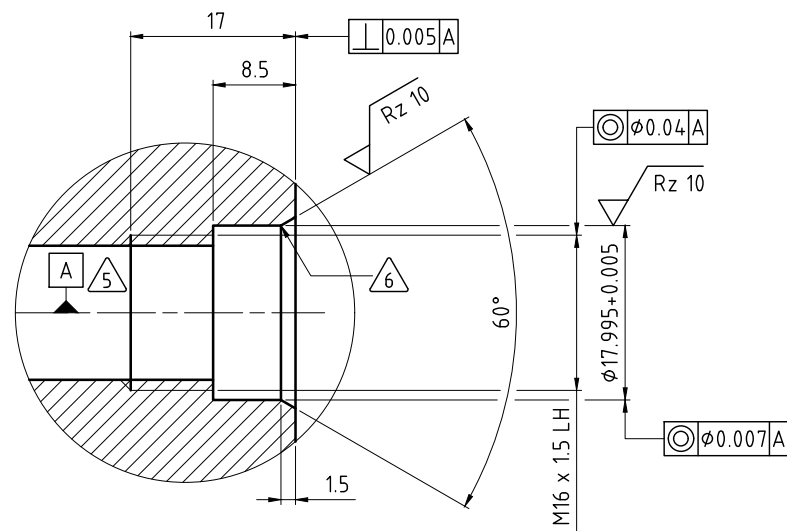
NOTES:

1 - CONTACT DEUBLIN OR VISIT WWW.DEUBLIN.COM  
 FOR INSTRUCTION MANUAL: 040-502

- ② - MEDIA PORT
- ③ - AIR FUNCTIONS IN A CONTROLLED LEAKAGE CONDITION.
- ④ - DRAIN
- ⑤ - SPINDLE BEARING ARRANGEMENT
- ⑥ - ROUNDED
- ⑦ - PUSH TO CONNECT FITTING, 10mm OD TUBE



CUSTOMER INTERFACE



OPERATING DATA				
MEDIA ②		COOLANT	SQL	③ AIR
MEDIA PRESSURE	MAXIMUM	105 bar	10 bar	10 bar
	MINIMUM	4 bar	4 bar	4 bar
FLOW RATE	MAXIMUM	82 L/min	3810 NL/min	3810 NL/min
	MINIMUM	6 L/min	360 NL/min	360 NL/min
TEMPERATURE	MAXIMUM	70 °C	70 °C	70 °C
	MINIMUM	5 °C	5 °C	5 °C
MAXIMUM SPEED		15000 min <sup>-1</sup>	15000 min <sup>-1</sup>	15000 min <sup>-1</sup>
DRY RUN		UNLIMITED		
RECOMMENDED FILTRATION		ISO 4406 CLASS 17/15/12		

		PROJECTION:	SCALE: 2:1
			MATERIAL: INTERFACE CONTROL DRAWING
		DATE	NAME
G	INCREASE HSG LENGTH	05/3/17	MA
F	REVISED FITTING WAS R	04/4/22	LG
E	CHANGED FITTING	03/7/15	LG
D	ADDED FITTING	03/6/12	LG
C	UPDATED OP DATA	02/8/12	RA
ISSUE	MODIFICATION	ECO	DATE
TITLE: DEUBLIN AUTONSENSE UNION			NO. 904-120-188
			SHEET A2

UNLESS SPECIFICALLY TOLERANCED, ALL DIMENSIONS ARE CONSIDERED REFERENCE