

CONFIDENTIAL

The reproduction, distribution and utilization of this document as well as the communication of its contents to others without express authorization is prohibited. Offenders will be held liable for the payment of damages. All rights reserved in the event of the grant of a patent, utility model or design.

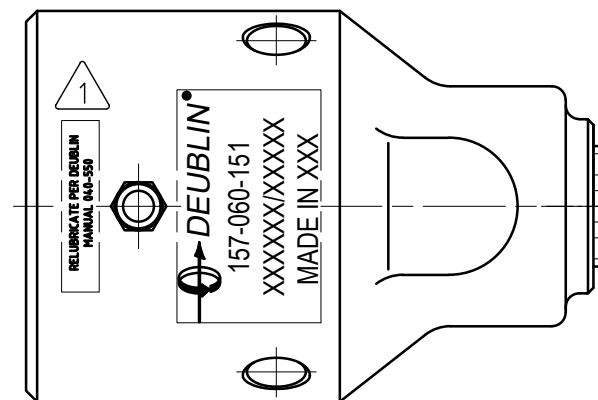
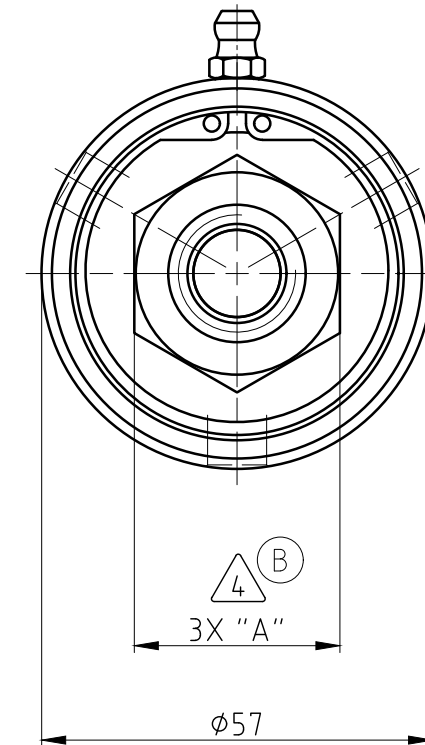
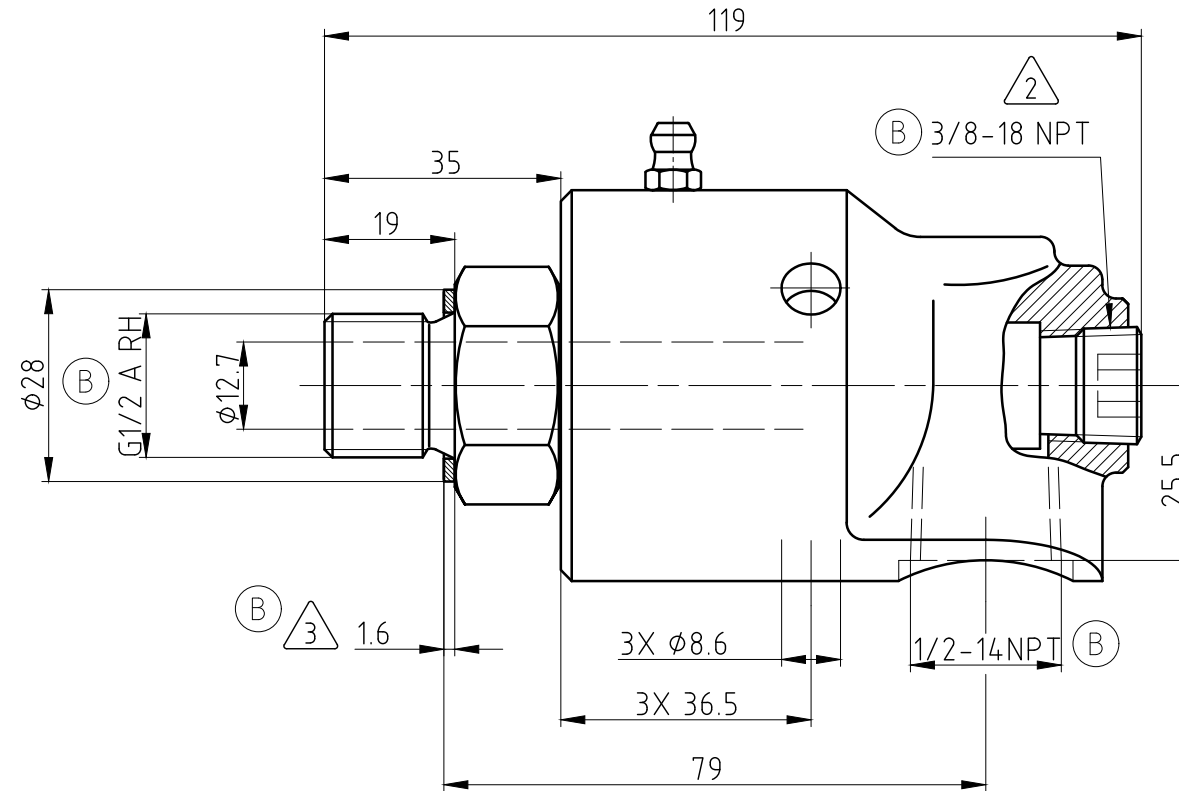
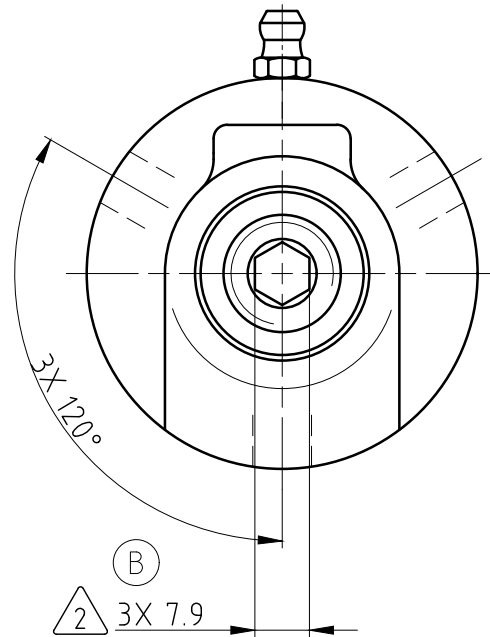
NOTES:

① - CONTACT DEUBLIN OR VISIT WWW.DEUBLIN.COM FOR INSTRUCTION MANUAL: 040-550

② - PLUG INSTALLED HAND TIGHT FROM FACTORY. IF PORT IS NOT UTILIZED, TIGHTEN BEFORE USE.

ⓑ - GASKET THICKNESS.

④ - DEPENDING ON COUNTRY OF ORIGIN, HEX STOCK MAY VARY AS NOTED. SEE TABLE FOR ACCEPTABLE WRENCH SIZES.



OPERATING DATA		
MEDIA	WATER	THERMAL OIL
PRESSURE MAX.	50 bar	6.6 bar
SPEED MAX.	3500 min ⁻¹	
TEMPERATURE MAX.	93 °C	
DRY RUN (WITHOUT ANY MEDIA)	NO	
RECOMMENDED FILTRATION	60 micron	

UNITS	HEX SIZES		WRENCHES	
	"A"	30mm	1 1/8"	
METRIC [mm]	30-0.13	✓	☒	
IMPERIAL [in]	1.125-0.006	✓	✓	

		PROJECTION:	SCALE: 1:1		
		DATE	MATERIAL: INTERFACE CONTROL DRAWING		
		NAME	TITLE: DEUBLIN ROTATING UNION DEUBLIN Drehdurchführung		
		DRN. 04.06.2020 MSK	NO. 157-060-151		
		ENGR. 04.06.2020 RMika			
		APPD.	SHEET A3		
B	SEE ECO	60341	03/21	MSK	UNLESS SPECIFICALLY TOLERANCED, ALL DIMENSIONS ARE CONSIDERED REFERENCE
A	UPDATE TO IMS	056312	06/20	MSK	
ISSUE	MODIFICATION	ECO	DATE	SIGN	