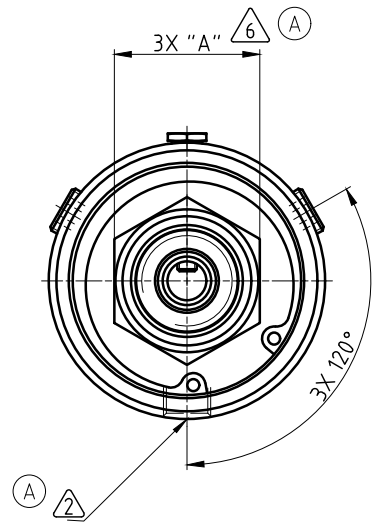
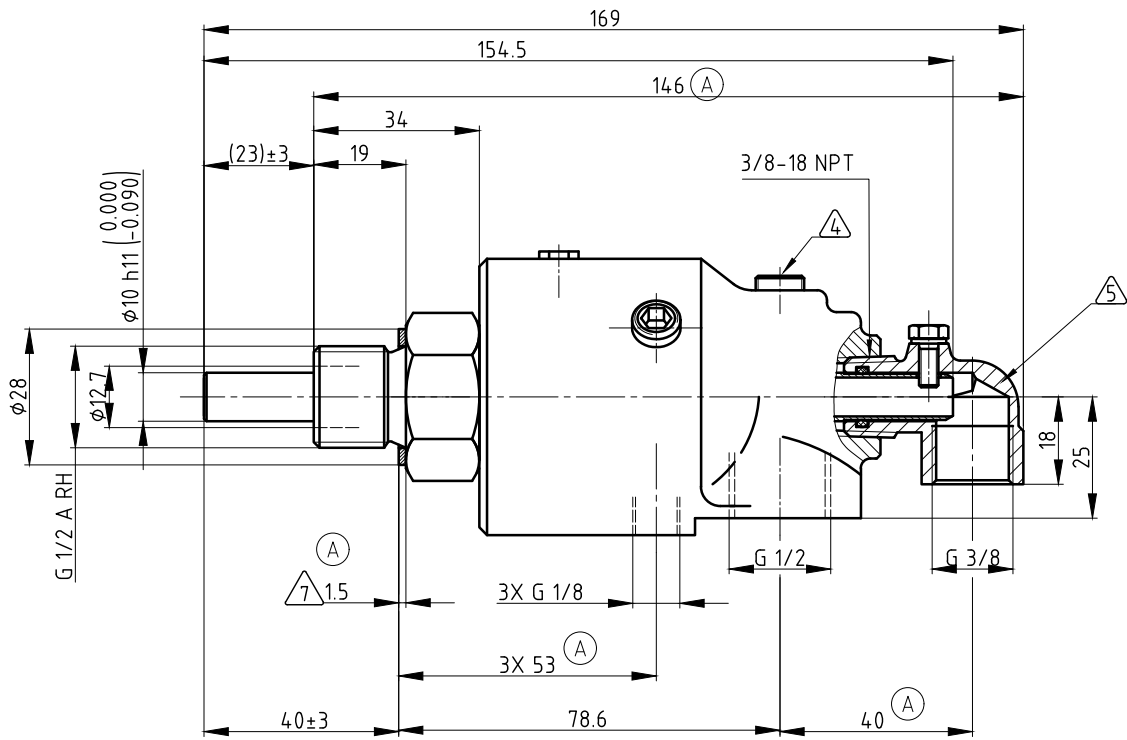
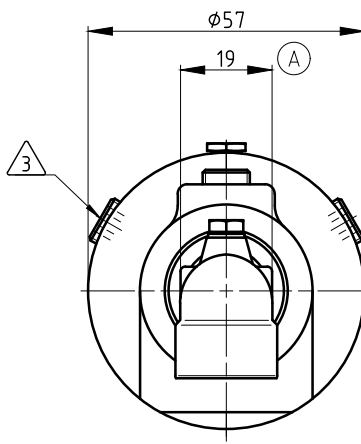


CONFIDENTIAL
 THIS DOCUMENT CONTAINS CONFIDENTIAL AND PROPRIETARY
 INFORMATION OF DEUBLIN COMPANY. COPYING, USE,
 TRANSMISSION, DISTRIBUTION, AND DISCLOSURE ARE SUBJECT
 TO THE TERMS AND CONDITIONS CONTAINED IN YOUR
 AGREEMENT WITH DEUBLIN COMPANY. ALL RIGHTS RESERVED.

NOTES:

- 1 - CONTACT DEUBLIN OR VISIT WWW.DEUBLIN.COM
 FOR INSTRUCTION MANUAL: 040-550
- 2 - VENT HOLE 5-7 O'CLOCK-POSITION
- 3 - 2X PLUGGED; FLUSH OR 1.8 MAX. OUTSIDE HOUSING
- 4 - BLEEDING SCREW; HANDTIGHT ASSEMBLED
- 5 - FITTING TO BE ASSEMBLED HAND-TIGHT, OR MAY BE SHIPPED UNASSEMBLED.
- 6 - DEPENDING ON COUNTRY OF ORIGIN, HEX STOCK MAY VARY AS NOTED. SEE TABLE
 FOR ACCEPTABLE WRENCH SIZES.
- 7 - GASKET THICKNESS.



OPERATING DATA	
MEDIA	WATER
PRESSURE MAX.	10 bar
SPEED MAX.	3500 min ⁻¹
TEMPERATURE MAX.	90 °C
DRY RUN (WITHOUT ANY MEDIA)	SEE 040-732
RECOMMENDED FILTRATION	60 micron



PROJECTION: SCALE: 1:1
 MATERIAL: INTERFACE CONTROL DRAWING

UNITS	HEX SIZES	WRENCHES	
	"A"	30mm	1 1/8"
METRIC [mm]	30-0.13	✓	✗
IMPERIAL [in]	1.125-0.006	✓	✓

DATE	NAME	TITLE
DRN: 06.07.2011	HJH	DEUBLIN ROTATING UNION DEUBLIN Drehdurchführung
ENGR: 07.07.2011	CW	
APPD:		

NO. 157-083-125972
 SHEET A2

ISSUE	MODIFICATION	ECO	DATE	SIGN
A	SEC 00	60006	12/20	MZe

UNLESS SPECIFICALLY TOLERANCED, ALL DIMENSIONS ARE CONSIDERED REFERENCE