

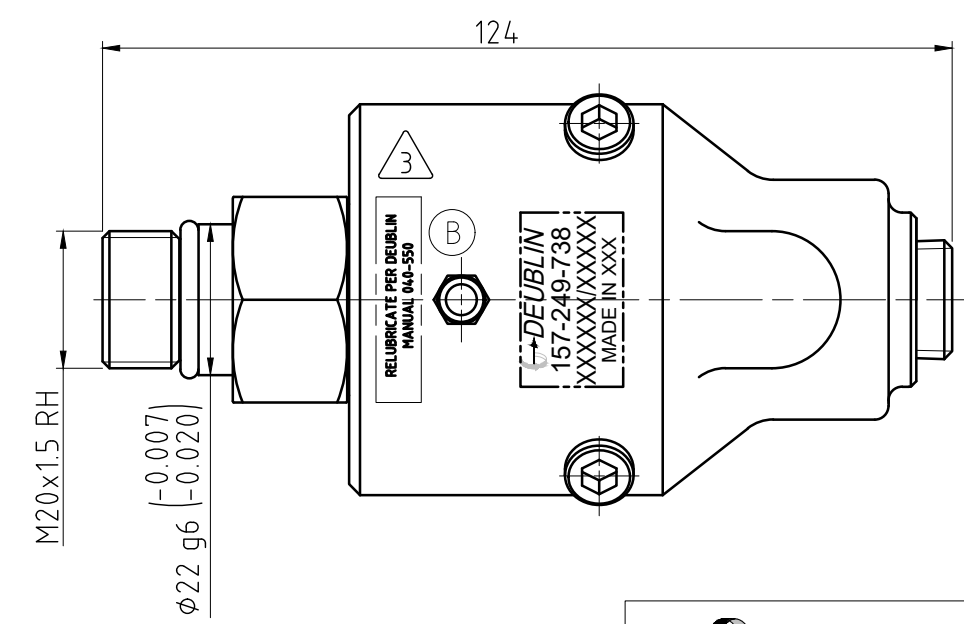
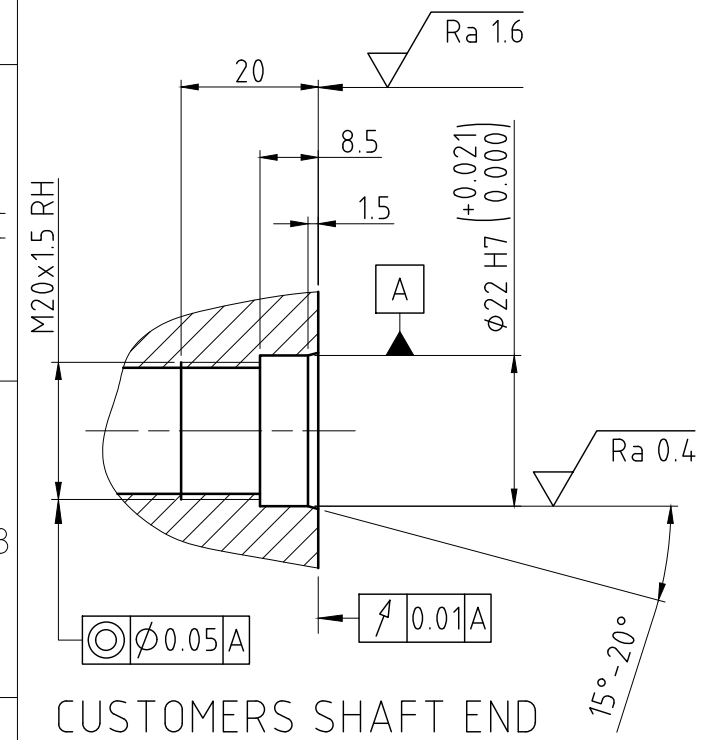
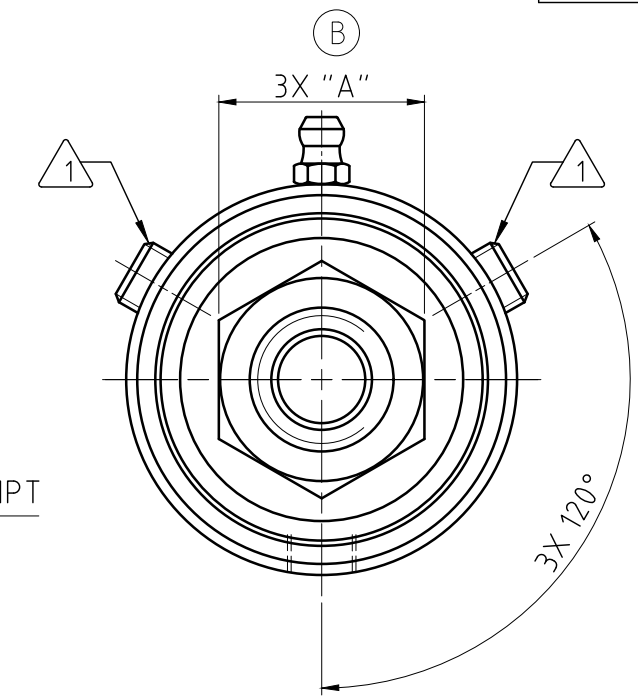
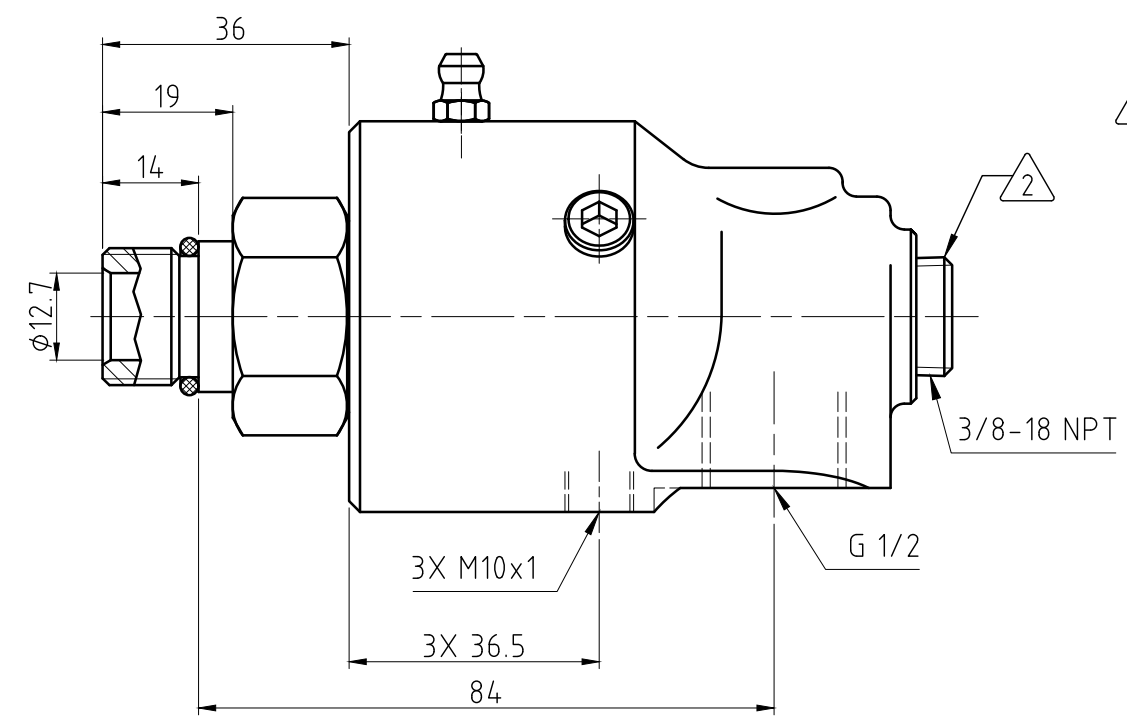
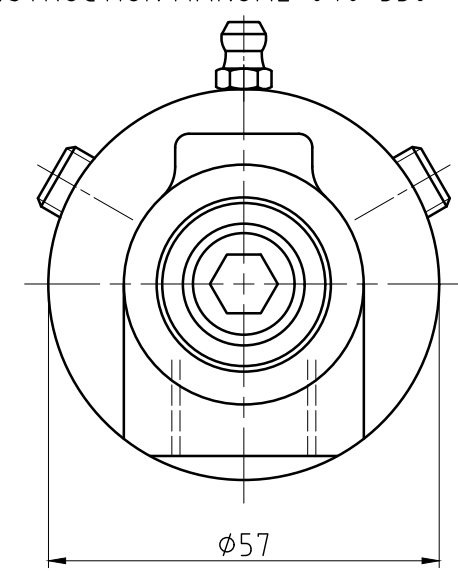
**CONFIDENTIAL**  
The reproduction, distribution and utilization of this document as well as the communication of its contents to others without express authorization is prohibited. Offenders will be held liable for the payment of damages. All rights reserved in the event of the grant of a patent, utility model or design.

Ø22	g6	-0.007	21.993
Ø22	H7	+0.021	22.021
Dimen.	Fit	0.000	22.000

**NOTES:**

- ① - PLUG VENT HOLES AS SHOWN.
- ② - PLUG INSTALLED HAND TIGHT FROM FACTORY. IF PORT IS NOT UTILIZED, TIGHTEN BEFORE USE.
- ③ - CONTACT DEUBLIN OR VISIT WWW.DEUBLIN.COM FOR INSTRUCTION MANUAL: 040-550

④ - DEPENDING ON COUNTRY OF ORIGIN, HEX STOCK MAY VARY AS NOTED. SEE TABLE FOR ACCEPTABLE WRENCH SIZES.



OPERATING DATA	
MEDIA	WATER
MAX. PRESSURE	4 bar
MAX. SPEED	5500 1/min
MAX. TEMPERATURE	50 °C
FILTRATION	60 µm
DRY RUN	NOT POSSIBLE

HEX SIZES		WRENCHES	
UNITS	"A"	30mm	1/8"
METRIC [mm]	30-0.13	✓	☒
IMPERIAL [in]	1.125-0.006	✓	✓

PROJECTION:

SCALE:	1:1
MATERIAL:	INTERFACE CONTROL DRAWING
TITLE:	DEUBLIN ROTATING UNION DEUBLIN Drehdurchführung
NO.	157-249-738

ISSUE/	MODIFICATION	ECO	DATE	SIGN
B	ADD TABLE	056931	08/20	RMika
A	SEE ECO	054616	02/20	MSk

UNLESS SPECIFICALLY TOLERANCED, ALL DIMENSIONS ARE CONSIDERED REFERENCE

SHEET A3