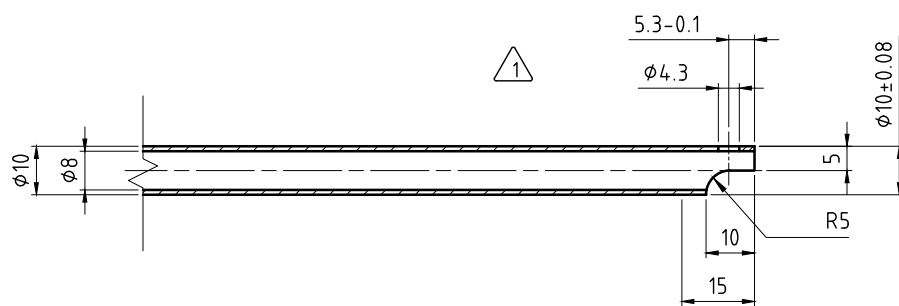
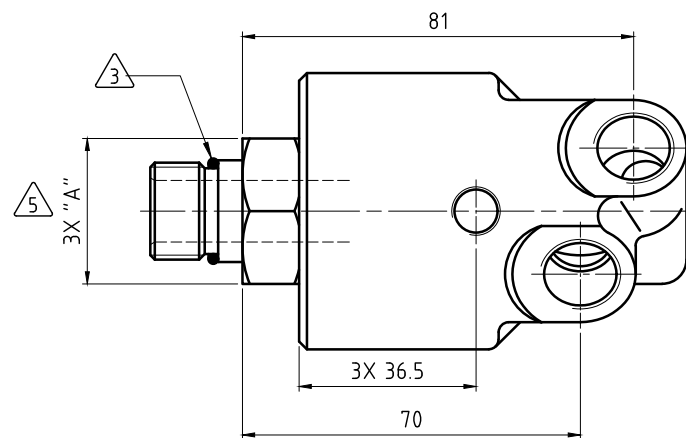
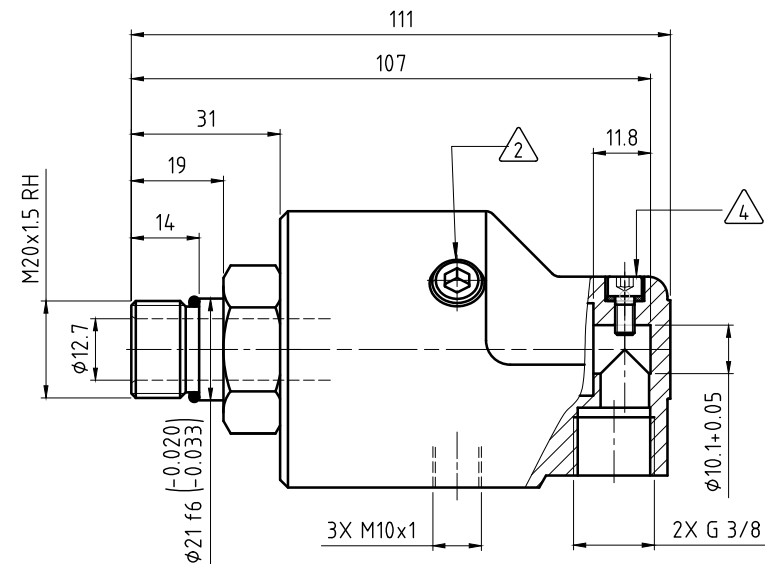
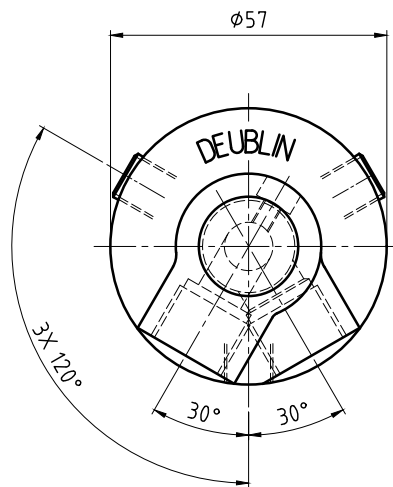
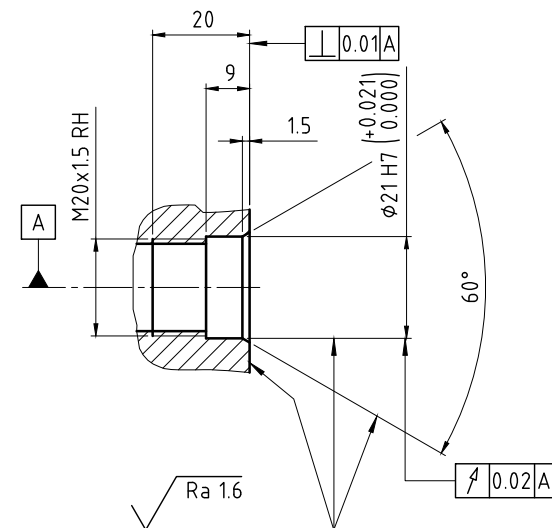


NOTES:

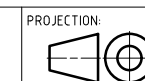
- ① - PIPE SUPPLIED BY CUSTOMER. PIPE SIZE: 10X1
- ② - PLUG INSTALLED HAND TIGHT FROM FACTORY. IF PORT IS NOT UTILIZED, TIGHTEN BEFORE USE.
- ③ - LUBRICATE INDICATED O-RINGS WITH SILICONE BASED GREASE.
- ④ - TIGHTEN INDICATED BOLT FOR SIPHON PIPE.
- ⑤ - DEPENDING ON COUNTRY OF ORIGIN, HEX STOCK MAY VARY AS NOTED. SEE TABLE FOR ACCEPTABLE WRENCH SIZES.



CUSTOMER INTERFACE



OPERATING DATA			
MEDIA	WATER	SATURATED STEAM (INTERMITTENT)	THERMAL OIL
PRESSURE MAX.	★ 50 bar	1 bar	6.6 bar
SPEED MAX.	3500 min ⁻¹		
TEMPERATURE MAX.	121 °C		
DRY RUN (WITHOUT ANY MEDIA)	NO		
RECOMMENDED FILTRATION	60 micron		
ADDITIONAL INFORMATION	PRESSURES EXCEEDING 8 bars ★ ONLY PERMISSIBLE WITH COLD WATER (50°C MAX.)		



PROJECTION:
 SCALE: 1:1
 MATERIAL: INTERFACE CONTROL DRAWING

UNITS	HEX SIZES		WRENCHES	
	"A"	30mm	1/8"	
METRIC [mm]	30-0.13	✓	✗	
IMPERIAL [in]	.125-0.006	✓	✓	

ISSUE/MODIFICATION	ECO	DATE	SIGN
B SEE CO	60371	03/21	NR
A SEE CO	056312	06/20	MSK

TITLE: DEUBLIN ROTATING UNION
 DEUBLIN Drehdurchführung

NO. 157-400-201

SHEET A2

UNLESS SPECIFICALLY TOLERANCED, ALL DIMENSIONS ARE CONSIDERED REFERENCE