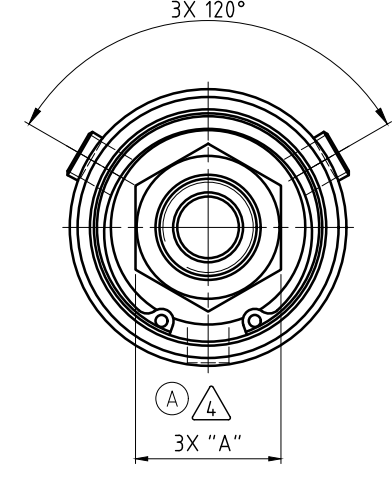
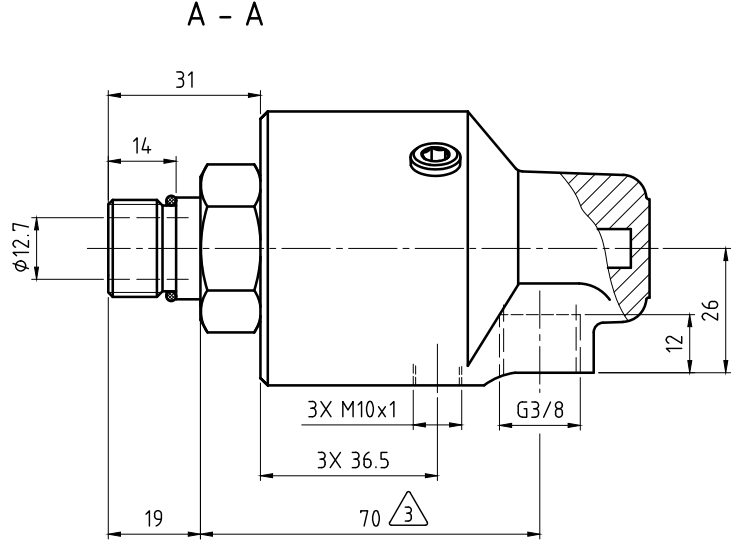
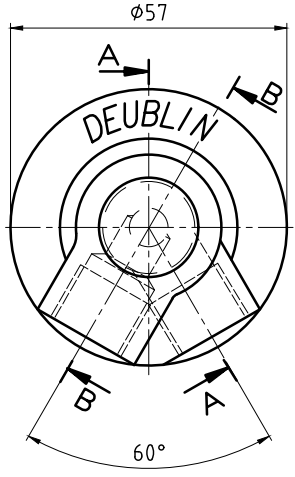
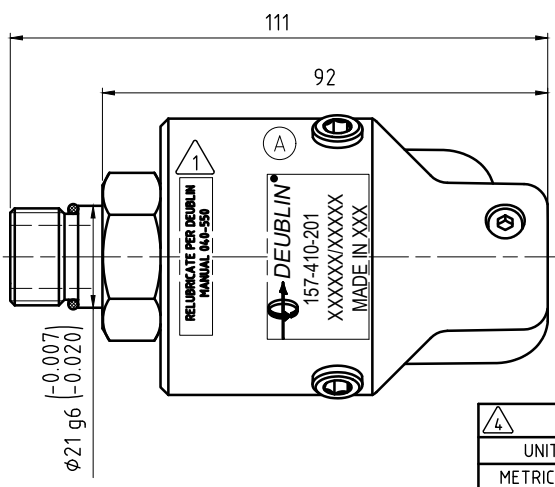
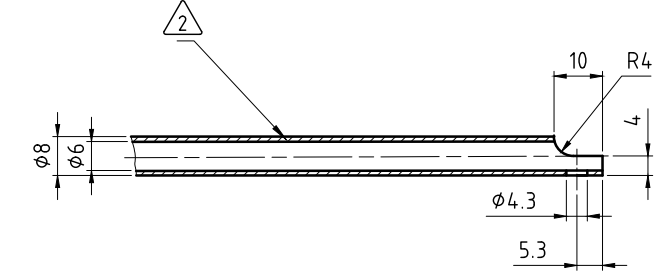
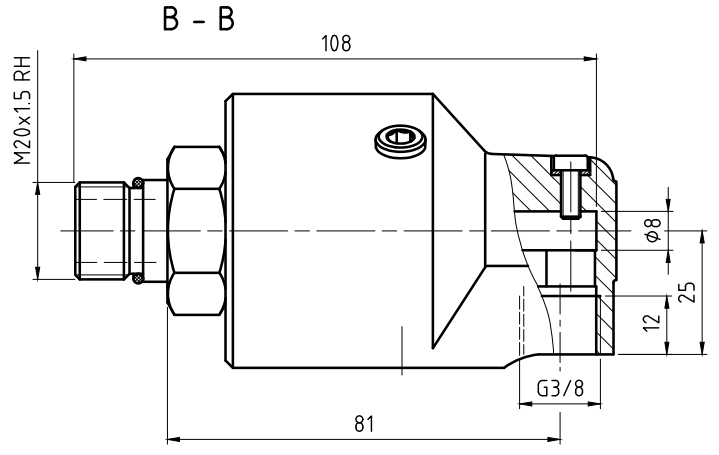
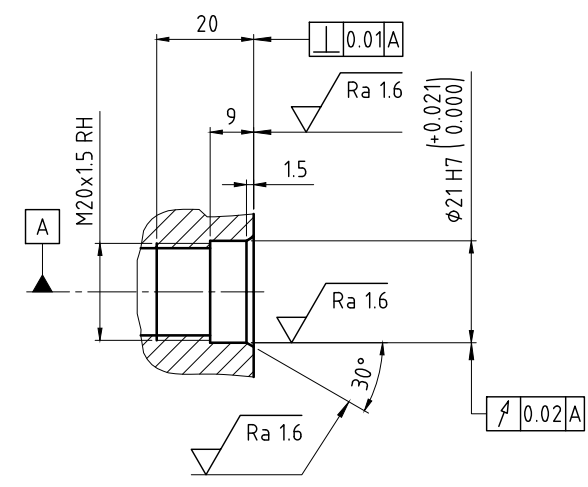


NOTES:

- ① - CONTACT DEUBLIN OR VISIT WWW.DEUBLIN.COM
 FOR INSTRUCTION MANUAL: 040-550
- ② - PIPE SUPPLIED BY CUSTOMER.
- ③ - PIPE LENGTH.
- ④ - DEPENDING ON COUNTRY OF ORIGIN, HEX STOCK MAY VARY AS NOTED. SEE TABLE FOR ACCEPTABLE WRENCH SIZES.



CUSTOMER INTERFACE



OPERATING DATA			
MEDIA	WATER	SATURATED STEAM (INTERMITTENT)	THERMAL OIL
PRESSURE MAX.	50 bar	1 bar	6.6 bar
SPEED MAX.	3500 min ⁻¹		
TEMPERATURE MAX.	121 °C		
DRY RUN (WITHOUT ANY MEDIA)	NO		
RECOMMENDED FILTRATION	60 micron		

UNITS	HEX SIZES		WRENCHES	
	"A"	④	30mm	1 1/8"
METRIC [mm]	30-0.13	✓	✓	✗
IMPERIAL [in]	1.125-0.006	✓	✓	✓

DEUBLIN
 HOERBIGER Rotary Solutions

PROJECTION:

SCALE: 1:1

MATERIAL: INTERFACE CONTROL DRAWING

TITLE: DEUBLIN ROTATING UNION
 DEUBLIN Drehdurchführung

NO. 157-410-201

SHEET A2

DRN.	08.06.2020	NAME	MZe
ENGR.	08.06.2020		RMika
APPD.			

UNLESS SPECIFICALLY TOLERANCED, ALL DIMENSIONS ARE CONSIDERED REFERENCE

A	SEC 00	60371	03/21	NR
ISSUE/MODIFICATION	ECO	DATE	DATE	SIGN