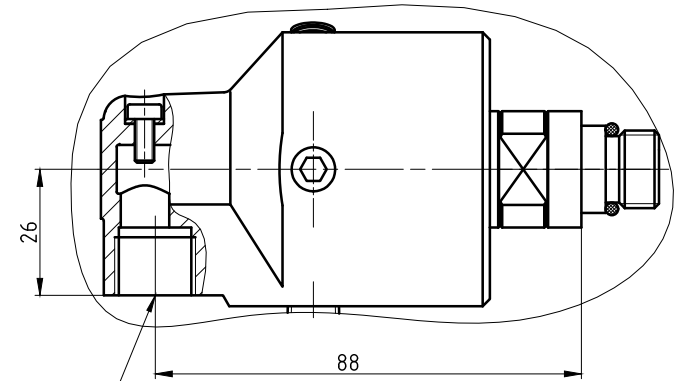
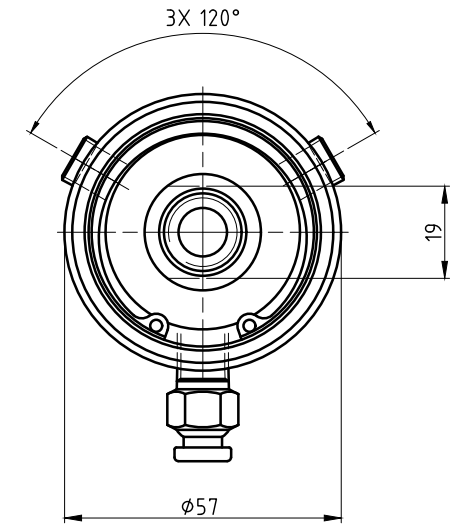
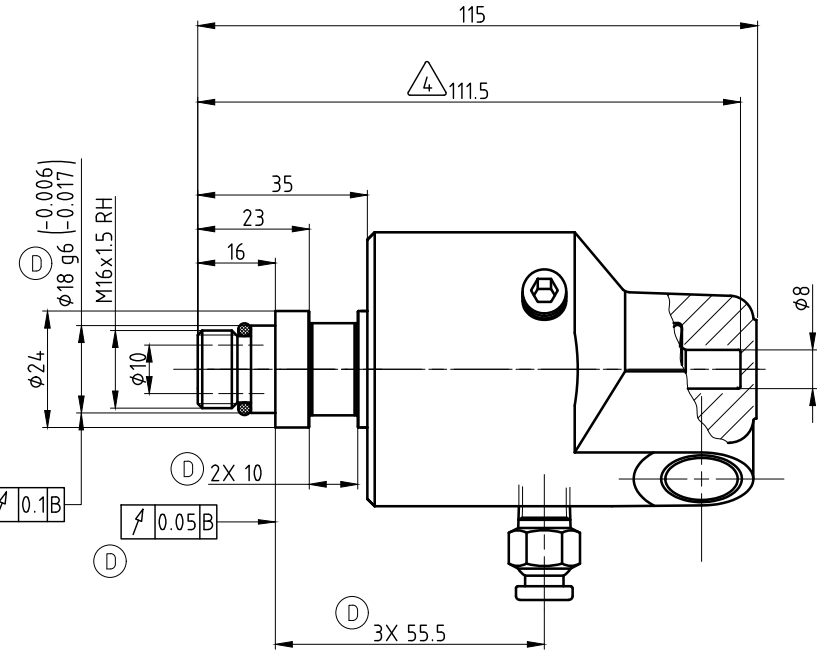
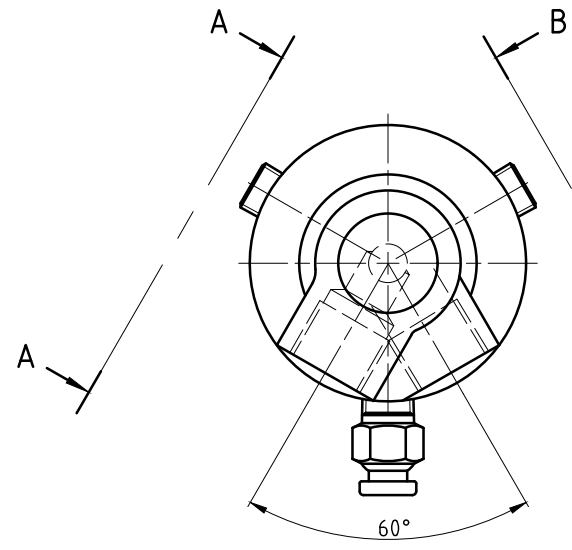
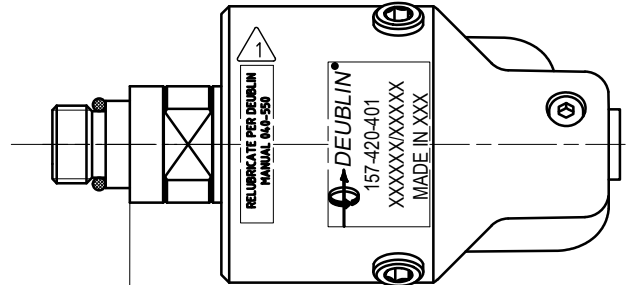


NOTES:

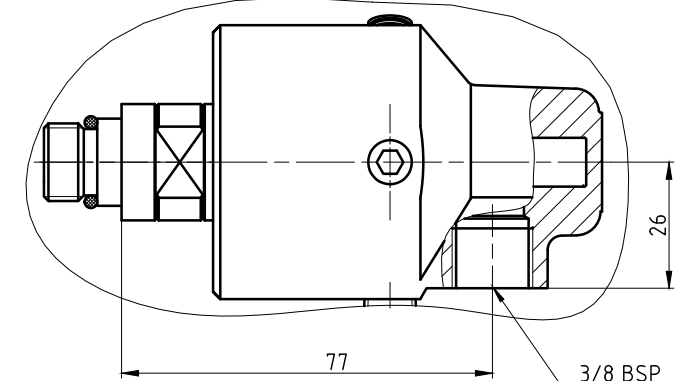
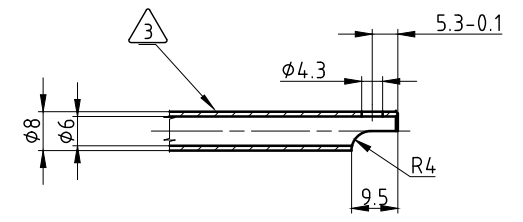
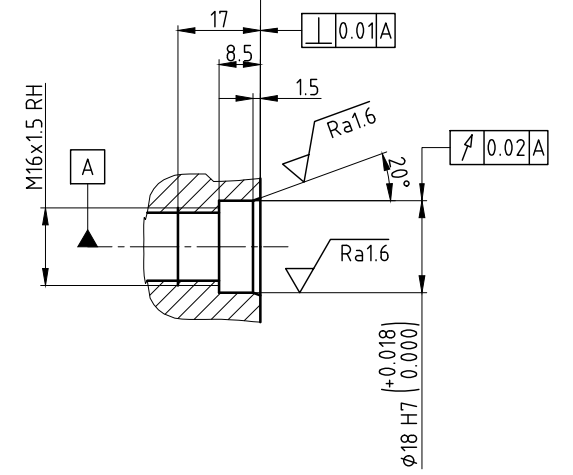
- ① - CONTACT DEUBLIN OR VISIT WWW.DEUBLIN.COM FOR INSTRUCTION MANUAL: 040-550
- ② - DEPENDING ON COUNTRY OF ORIGIN, HEX STOCK MAY VARY AS NOTED. SEE TABLE FOR ACCEPTABLE WRENCH SIZES.
- ③ - PIPE SUPPLIED BY CUSTOMER.
- ④ - PIPE LENGTH.



A-A



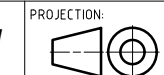
CUSTOMER INTERFACE



B-B

①

OPERATING DATA			
MEDIA	WATER	SATURATED STEAM (INTERMITTENT)	THERMAL OIL
PRESSURE MAX.	50 bar	1 bar	6.6 bar
SPEED MAX.	3500 min ⁻¹		
TEMPERATURE MAX.	121 °C		
DRY RUN (WITHOUT ANY MEDIA)	NO		
RECOMMENDED FILTRATION	60 micron		



PROJECTION:
 SCALE: 1:1
 MATERIAL: INTERFACE CONTROL DRAWING

DATE	NAME
DRN. 17.11.2020	MSk
ENGR. 17.11.2020	RMika
APPD.	

TITLE: **DEUBLIN ROTATING UNION**
DEUBLIN Drehdurchführung

ISSUE/NO.	MODIFICATION	ECO	DATE	MSK	SIGN
D	UPDATE TO MS	058092	11/20	MSK	

NO. **157-420-401**