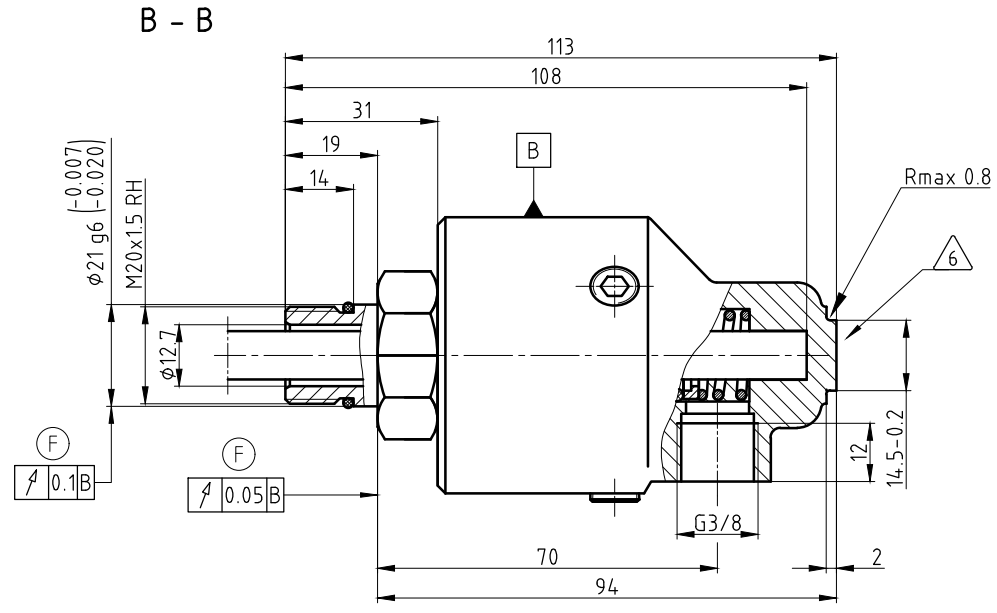
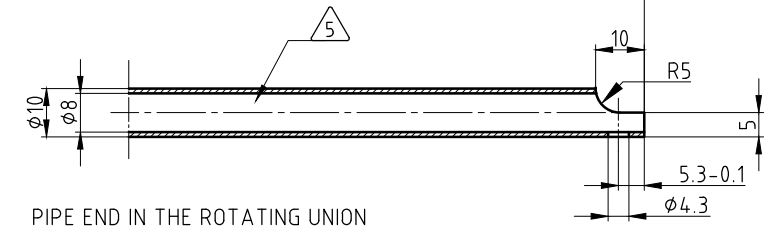
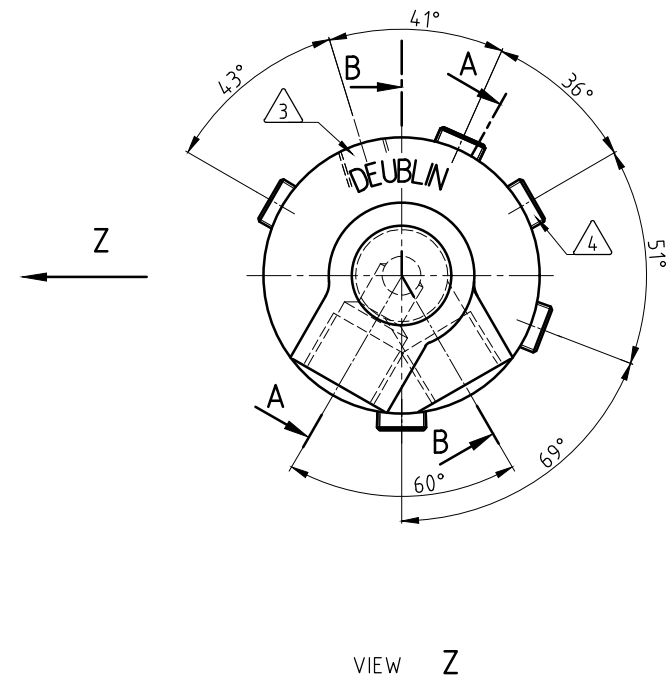
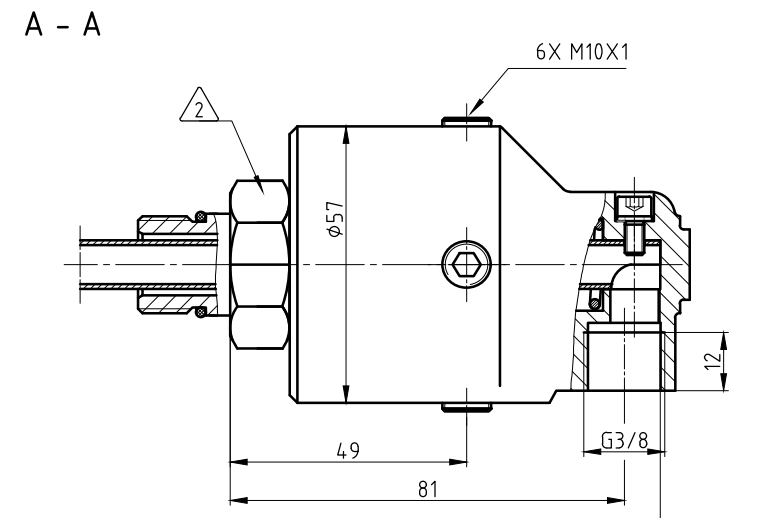
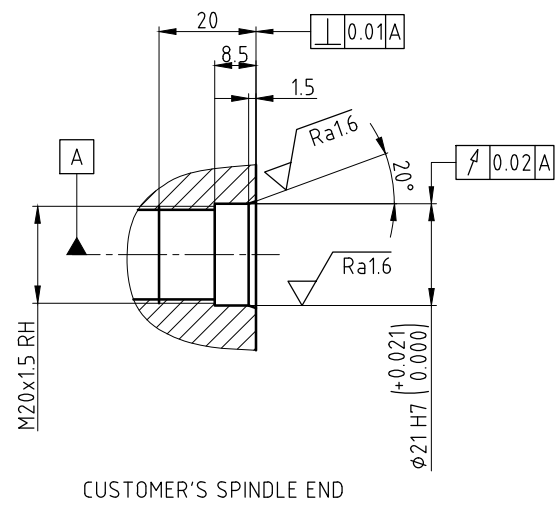


CONFIDENTIAL  
 THIS DOCUMENT CONTAINS CONFIDENTIAL AND PROPRIETARY INFORMATION OF DEUBLIN COMPANY. COPYING, USE, TRANSMISSION, DISTRIBUTION, AND DISCLOSURE ARE SUBJECT TO THE TERMS AND CONDITIONS CONTAINED IN YOUR AGREEMENT WITH DEUBLIN COMPANY. ALL RIGHTS RESERVED.

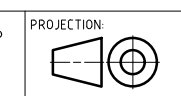
φ21	q6	-0.007	20.993
φ21	H7	+0.021	21.021
Maß	Passung	0.000	21.000

NOTES:

- 1 - USE INSTRUCTION MANUAL 040-550
- 2 - 30 A.F.
- 3 - OPEN BORE AT 5-7 O'CLOCK-POSITION
- 4 - TORQUE TO 6Nm +/-0.5Nm.
- 5 - PIPE SUPPLIED BY CUSTOMER. PIPE SIZE: 10X1
- 6 - PILOT FOR SPRING POSITIONING
- 7 - TEST RUN DATA SEE E.I. 033-9033



OPERATING DATA	
MEDIA	WATER
PRESSURE MAX.	10 bar
SPEED MAX.	3500 min <sup>-1</sup>
TEMPERATURE MAX.	90 °C
DRY RUN (WITHOUT ANY MEDIA)	NO



PROJECTION: SCALE: 1:1 MATERIAL: INTERFACE CONTROL DRAWING

REV	DESCRIPTION	DATE	BY	CHKD
F	TOLERANCES ADDED	03/13	AF	
E	NOTE CHANGED	19.04.11	HJH	DRN.
D	UPDATE TO IMS	10.02.11	HJH	ENGR.
C	POSITION CHANGED	09.05.08	HJH	APPD.
b	METR. DWG	04.12.06	FD	
a	Bearbeitung hinzu	04.193	Wolf	
ISSUE	MODIFICATION	ECO	DATE	SIGN

TITLE: DEUBLIN ROTATING UNION  
 DEUBLIN Drehdurchführung  
 NO. 157-508-201  
 SHEET A2