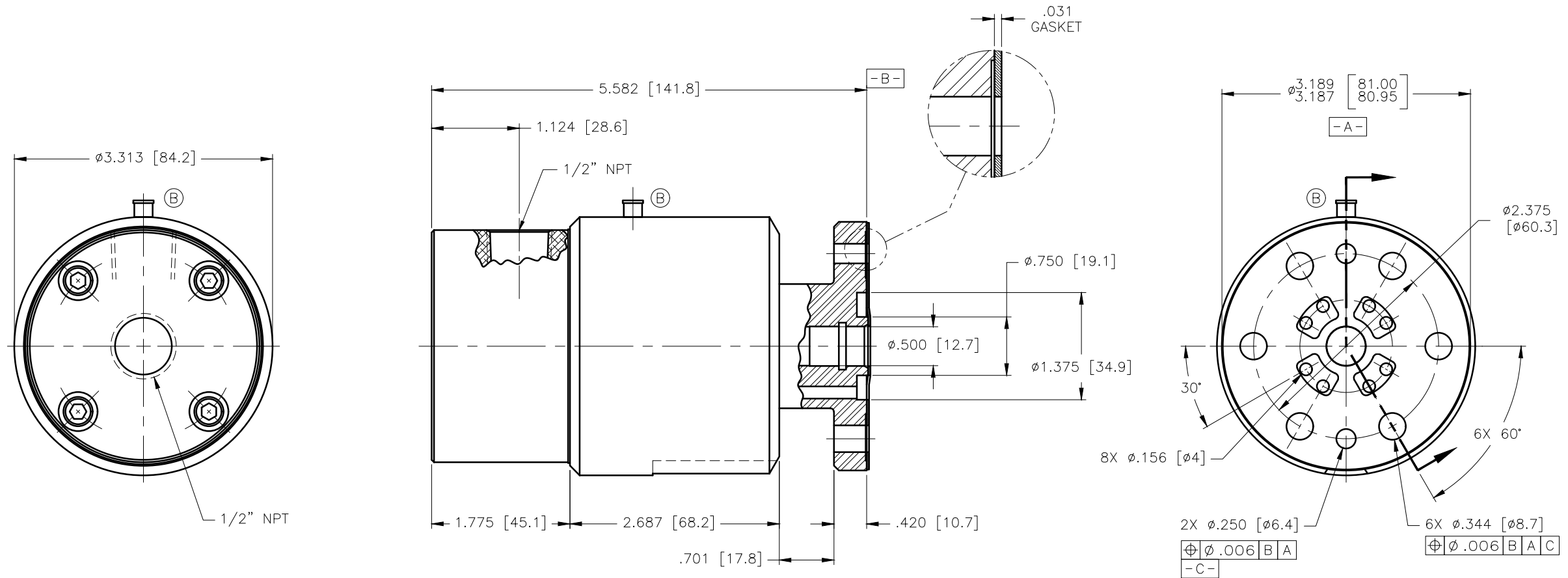


CONFIDENTIAL  
 THIS DOCUMENT CONTAINS CONFIDENTIAL AND PROPRIETARY INFORMATION OF DEUBLIN COMPANY. COPYING, USE, TRANSMISSION, DISTRIBUTION, AND DISCLOSURE ARE SUBJECT TO THE TERMS AND CONDITIONS CONTAINED IN YOUR AGREEMENT WITH DEUBLIN COMPANY. ALL RIGHTS RESERVED.



OPERATING DATA		
MEDIA	AIR	
MAX AIR PRESSURE	150 PSI	10 bar
MAX VACUUM	28" Hg	6.7 kPa
MAX SPEED	1500 RPM	1500/min
MAX TEMPERATURE	250°F	121°C

SCALE	1"=1"	DWG SIZE		UNLESS SPECIFICALLY TOLERANCED, ALL DIMENSIONS ARE REFERENCE DIMENSIONS IN [ ] ARE IN MILLIMETERS.	 DEUBLIN COMPANY WAUKEGAN, ILLINOIS, U.S.A. TITLE: INTERFACE CONTROL DRAWING OF DEUBLIN UNION 1590-000 DWG NO. 1590-000 C.A.D. DRAWING
DRN	LG	09/25/00			
ENGR					
APPD					
PART NO.					
B	ADDED OIL CUP	017973	04/12	NR	CUSTOMER
A	ADDED FAI LAYER	000708	04/08	JK	
LET.	REVISION	ECO	DATE	SIGN	