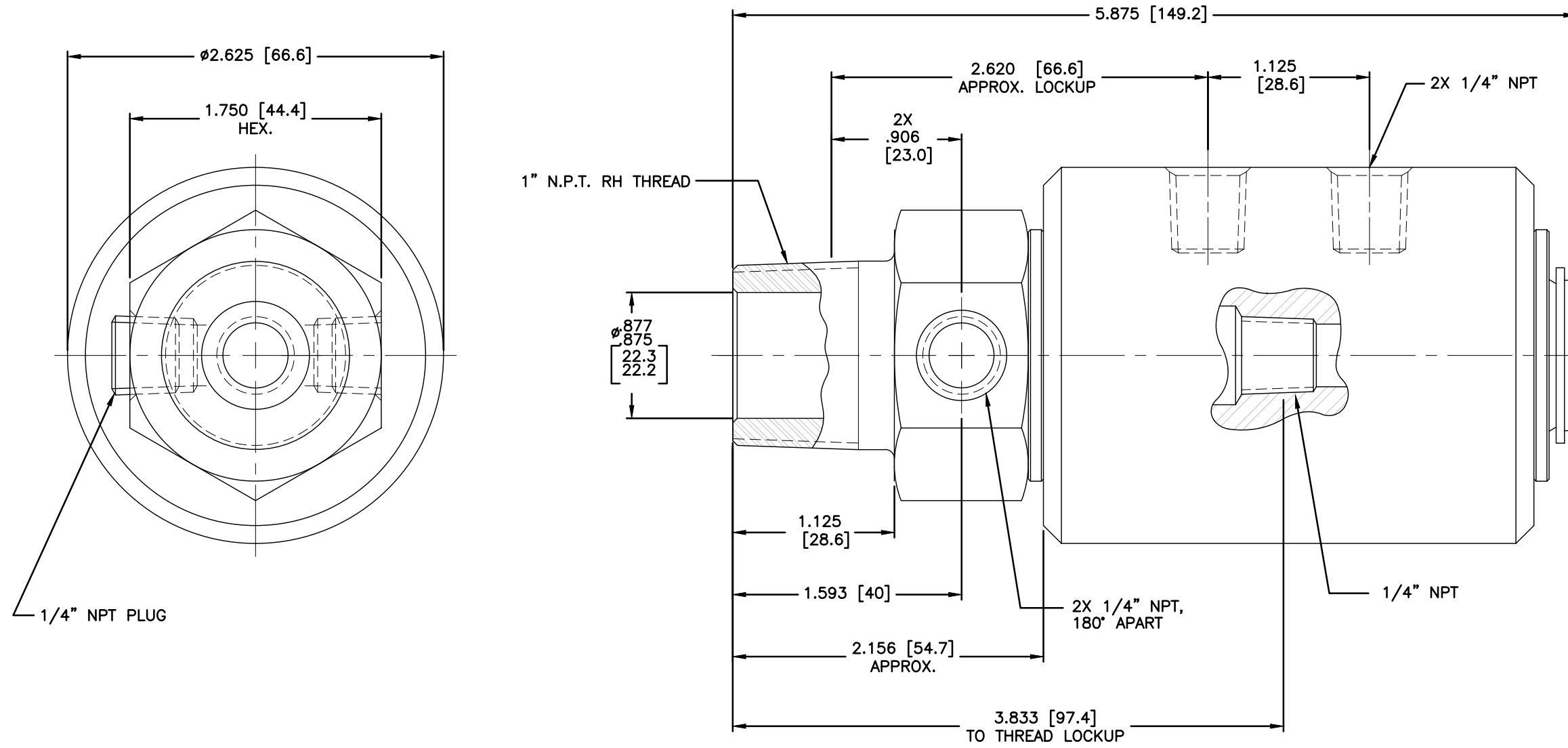


NOTES:

1 - WHEN ORDERING FROM DEUBLIN USE PART NUMBER: 1690-000-102.



OPERATING DATA:

AIR / HYDRAULIC / VACUUM SERVICE
 150 PSI [10bar] MAX. AIR PRESSURE
 3000 PSI [204bar] MAX. HYDRAULIC PRESSURE
 28"Hg [6,7KPa] MAX. VACUUM PRESSURE
 250 RPM [250/min] MAX. SPEED
 250°F [121°C] MAX. TEMPERATURE

CONFIDENTIAL
 THIS DOCUMENT CONTAINS CONFIDENTIAL AND PROPRIETARY INFORMATION OF DEUBLIN COMPANY. COPYING, USE, TRANSMISSION, DISTRIBUTION, AND DISCLOSURE ARE SUBJECT TO THE TERMS AND CONDITIONS CONTAINED IN YOUR AGREEMENT WITH DEUBLIN COMPANY. ALL RIGHTS RESERVED.

REV.	REVISION	ECO	DATE	SIGN

EQUIPMENT REF:
 ASSY/TEST FIXTURES REQUIRED:

SCALE	1.66:1
DRN	LG 05/27/03
ENGR	
APPD	
UNLESS OTHERWISE SPECIFIED TOLERANCES $\pm .010$. DIMENSIONS IN () ARE IN MILLIMETERS.	

DEUBLIN COMPANY
 WAUKEGAN, ILLINOIS, U.S.A.
 TITLE: INTERFACE CONTROL DRAWING FOR UNION
 1690-000-102
 NO. 1690-000-102-IC
 C.A.D DRAWING