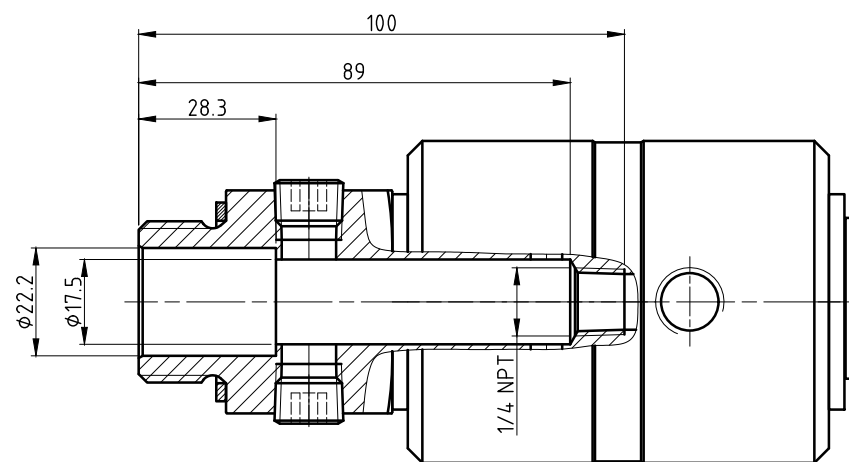
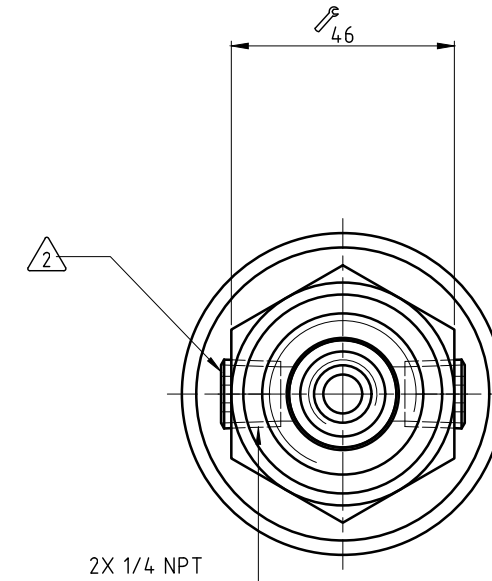
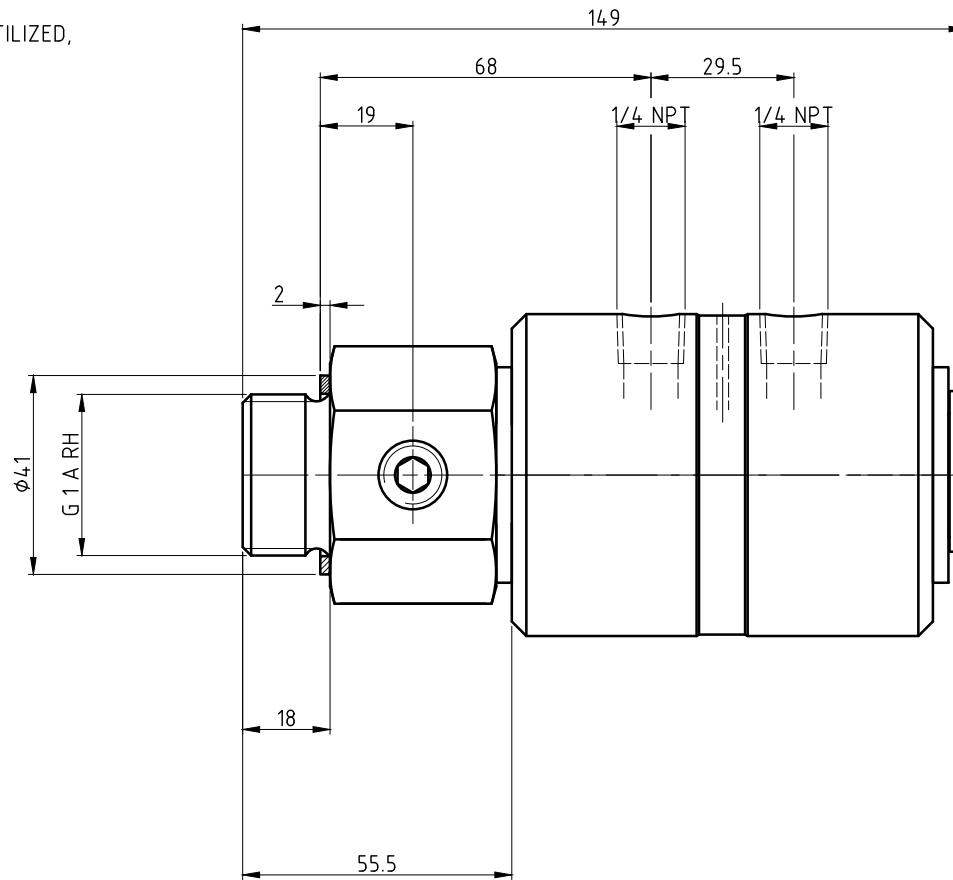
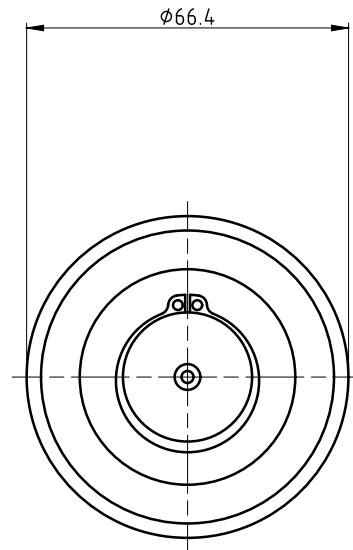


CONFIDENTIAL  
 THIS DOCUMENT CONTAINS CONFIDENTIAL AND PROPRIETARY INFORMATION OF DEUBLIN COMPANY. COPYING, USE, TRANSMISSION, DISTRIBUTION, AND DISCLOSURE ARE SUBJECT TO THE TERMS AND CONDITIONS CONTAINED IN YOUR AGREEMENT WITH DEUBLIN COMPANY. ALL RIGHTS RESERVED.

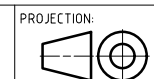
NOTES:

1 - CONTACT DEUBLIN OR VISIT [WWW.DEUBLIN.COM](http://WWW.DEUBLIN.COM)  
 FOR INSTRUCTION MANUAL: 040-563.

2 - PLUG INSTALLED HAND TIGHT FROM FACTORY. IF PORT IS NOT UTILIZED, TIGHTEN BEFORE USE.



OPERATING DATA			
MEDIA	AIR	VACUUM	HYDRAULIC OIL
PRESSURE MAX.	10 bar	7 kPa	★ 210 bar
SPEED MAX.	★ 250 min <sup>-1</sup>		
TEMPERATURE MAX.	120 °C		
NOTE	★ OPERATION AT MAX. PRESSURE COMBINED WITH MAX. SPEED NOT POSSIBLE		



PROJECTION: SCALE: 1:1  
 DOCUMENT: INTERFACE CONTROL DRAWING

DATE	NAME	TITLE
DRN. 08.08.2016	CW	DEUBLIN ROTATING UNION DEUBLIN Drehdurchführung
ENGR. 08.08.2016	CD	
APPD.		

NO. 1690-000-105  
 SHEET A2

ISSUE	MODIFICATION	ECO	DATE	SIGN
B	REBRAM/UPDATE TO MS	038731	08/16	CW

UNLESS SPECIFICALLY TOLERANCED, ALL DIMENSIONS ARE CONSIDERED REFERENCE