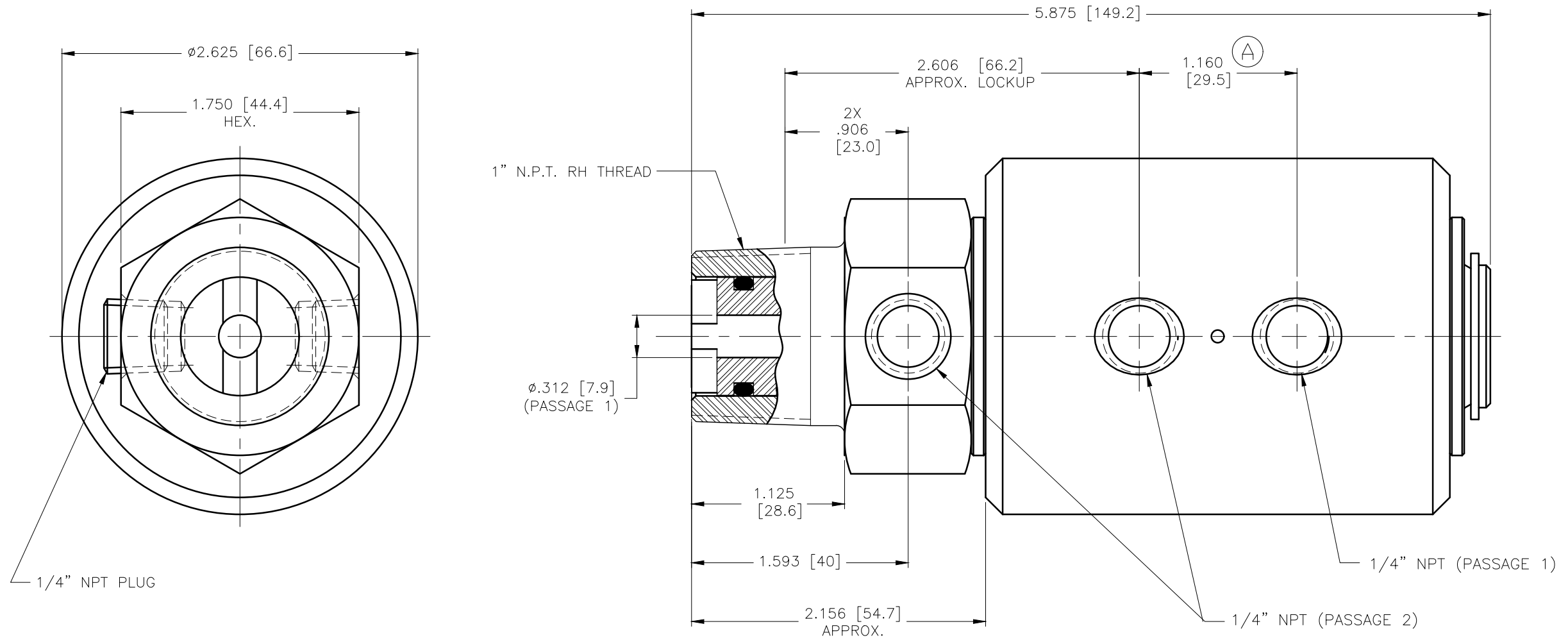


NOTES:

1 - WHEN ORDERING FROM DEUBLIN USE PART NUMBER: 1690-000-115



OPERATING DATA:

AIR / HYDRAULIC / VACUUM SERVICE
 150 PSI [10bar] MAX. AIR PRESSURE
 3000 PSI [204bar] MAX. HYDRAULIC PRESSURE
 28"Hg [6,7KPa] MAX. VACUUM PRESSURE
 250 RPM [250/min] MAX. SPEED
 250°F [121°C] MAX. TEMPERATURE

				EQUIPMENT REF:		SCALE	1.66:1
						DRN	RM 04/19/02
						ENGR	RC 04/19/02
						APPD	RC 04/19/02
				ASSY/TEST FIXTURES REQUIRED:		UNLESS OTHERWISE SPECIFIED TOLERANCES ±.010. DIMENSIONS IN () ARE IN MILLIMETERS.	
A	1.160	WAS 1.125	1053207/10	GMA		TITLE: INTERFACE CONTROL DRAWING FOR UNION 1690-000-115	
LET.	REVISION	ECO	DATE	SIGN		NO. 1690-000-115-IC C.A.D DRAWING	

