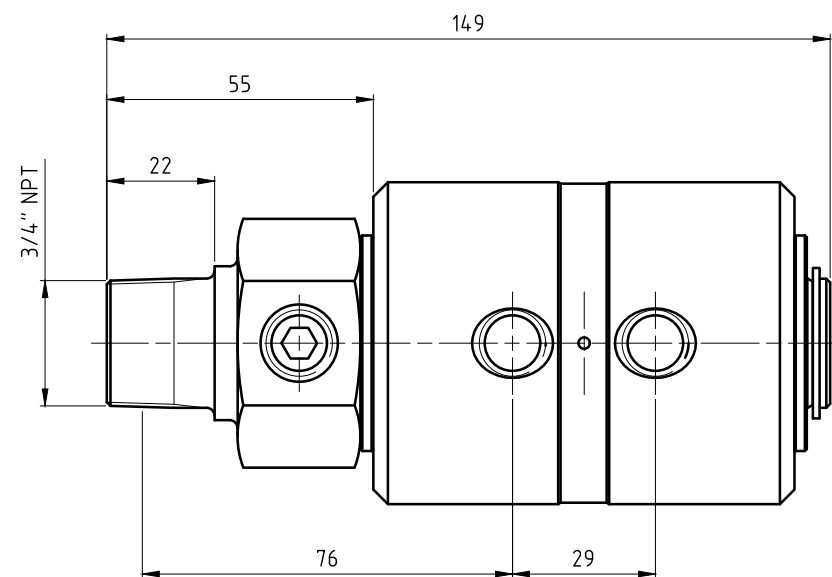
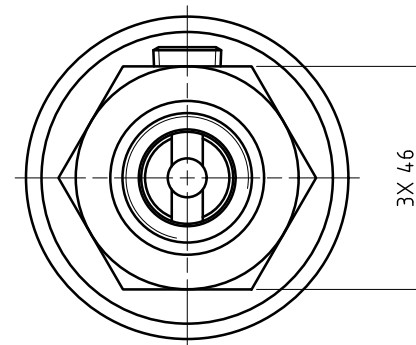
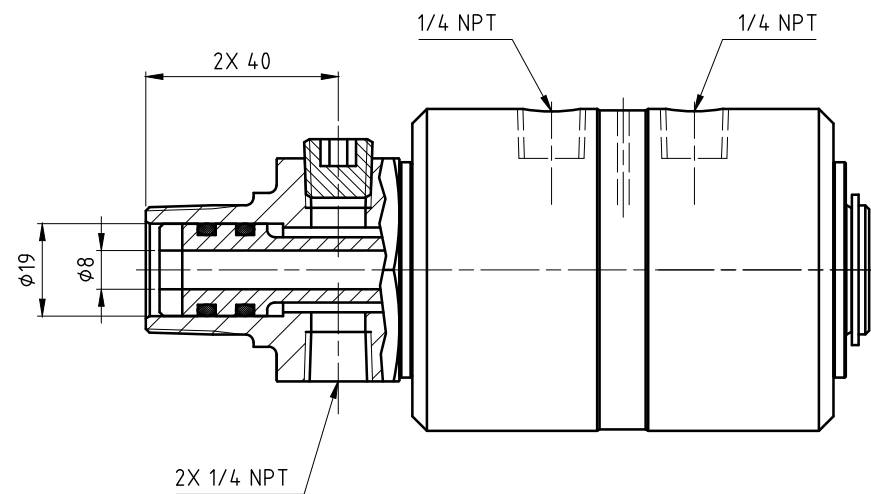
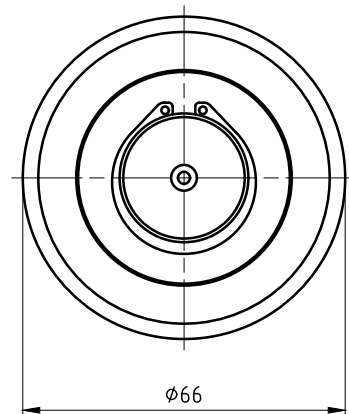


CONFIDENTIAL
 THIS DOCUMENT CONTAINS CONFIDENTIAL AND PROPRIETARY
 INFORMATION OF DEUBLIN COMPANY. COPYING, USE,
 TRANSMISSION, DISTRIBUTION, AND DISCLOSURE ARE SUBJECT
 TO THE TERMS AND CONDITIONS CONTAINED IN YOUR
 AGREEMENT WITH DEUBLIN COMPANY. ALL RIGHTS RESERVED.



OPERATING DATA		
MEDIA	AIR/HYDRAULIC/VACUUM	
MAX AIR PRESSURE	150 PSI	10 bar
MAX HYD. PRESSURE	3000 PSI	204 bar
MAX VACUUM	28" Hg	6.7 kPa
MAX SPEED	250 RPM	250/min
MAX TEMPERATURE	250°F	121°C



SCALE: 1:1

MATERIAL: INTERFACE CONTROL DRAWING

DATE	NAME	TITLE
DRN. 03/11/14	N. Reyna	DEUBLIN UNION
ENGR. 03/11/14	T. Wilson	
APPD.		

NO. 1690-000-135

SHEET A2

ISSUE MODIFICATION ECO DATE SIGN

UNLESS SPECIFICALLY TOLERANCED, ALL DIMENSIONS ARE CONSIDERED REFERENCE