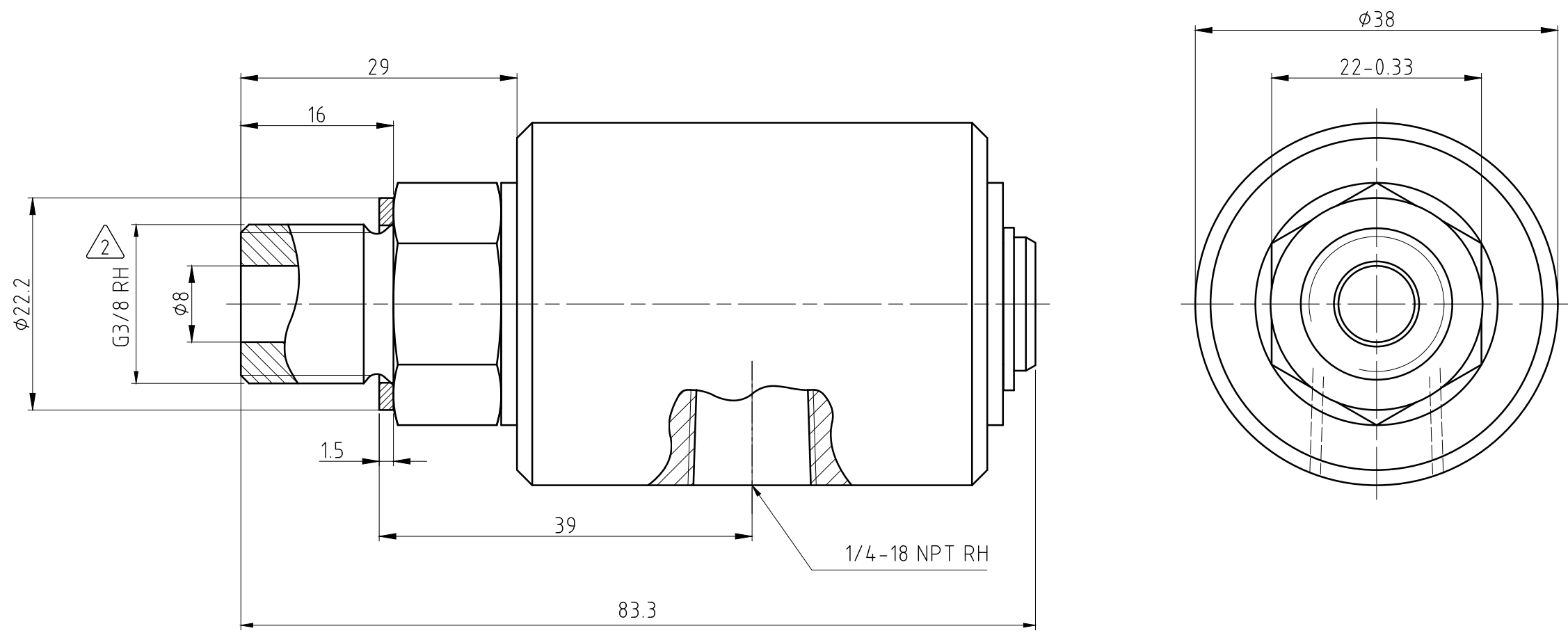


CONFIDENTIAL  
 THIS DOCUMENT CONTAINS CONFIDENTIAL AND PROPRIETARY  
 INFORMATION OF DEUBLIN COMPANY. COPYING, USE,  
 TRANSMISSION, DISTRIBUTION, AND DISCLOSURE ARE SUBJECT  
 TO THE TERMS AND CONDITIONS CONTAINED IN YOUR  
 AGREEMENT WITH DEUBLIN COMPANY. ALL RIGHTS RESERVED.

- NOTES:  
 1 - OPERATION AT MAXIMUM PRESSURE COMBINED WITH MAXIMUM  
 SPEED SHOULD BE AVOIDED.  
 2 - G3/8 IS EQUIVALENT TO 3/8" BSP (BRITISH STANDARD PIPE).  
 3 - USE INSTALLATION INSTRUCTION 040-513.



OPERATING DATA 1				
MEDIA		AIR	HYDRAULIC OIL	VACUUM
PRESSURE	MAXIMUM	10 bar	207 bar	6.7 kPa
TEMPERATURE	MAXIMUM	121 °C	121 °C	121 °C
	MINIMUM	5 °C	5 °C	5 °C
MAXIMUM SPEED		250 min <sup>-1</sup>	250 min <sup>-1</sup>	250 min <sup>-1</sup>

 WAUKEGAN, ILLINOIS, U.S.A.		PROJECTION: 	SCALE: 2:1 MATERIAL:
DRN.	05/19/09	NAME	galindolm
ENGR.			
APPD.			
UNLESS SPECIFICALLY TOLERANCED, ALL DIMENSIONS ARE CONSIDERED REFERENCE			TITLE: <b>INTERFACE CONTROL DRAWING FOR          17 SERIES UNION, 3/8" BSP RH ROTOR</b>
NO. 17-025-039			SHEET A3
ISSUE	MODIFICATION	ECO	DATE
			SIGN