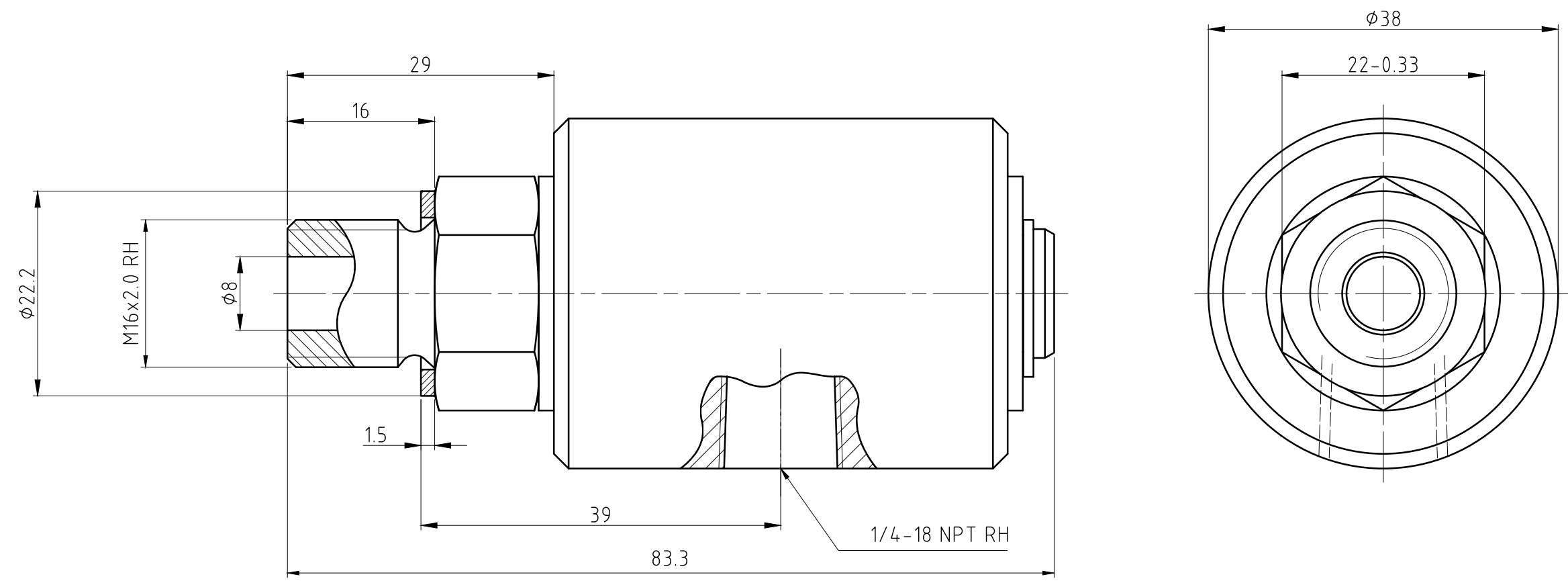


CONFIDENTIAL
 THIS DOCUMENT CONTAINS CONFIDENTIAL AND PROPRIETARY
 INFORMATION OF DEUBLIN COMPANY. COPYING, USE,
 TRANSMISSION, DISTRIBUTION, AND DISCLOSURE ARE SUBJECT
 TO THE TERMS AND CONDITIONS CONTAINED IN YOUR
 AGREEMENT WITH DEUBLIN COMPANY. ALL RIGHTS RESERVED.

NOTES:
 1 - OPERATION AT MAXIMUM PRESSURE COMBINED WITH MAXIMUM
 SPEED SHOULD BE AVOIDED.
 2 - USE INSTALLATION INSTRUCTION 040-513.



OPERATING DATA				
MEDIA		AIR	HYDRAULIC OIL	VACUUM
PRESSURE	MAXIMUM	10 bar	207 bar	6.7 kPa
TEMPERATURE	MAXIMUM	121 °C	121 °C	121 °C
	MINIMUM	5 °C	5 °C	5 °C
MAXIMUM SPEED		250 min ⁻¹	250 min ⁻¹	250 min ⁻¹

DEUBLIN COMPANY WAUKEGAN, ILLINOIS, U.S.A.	PROJECTION:	SCALE: 2:1	MATERIAL:
	DATE	NAME	TITLE:
	DRN. 05/19/09	galindolm	INTERFACE CONTROL DRAWING FOR
	ENGR.		17 SERIES UNION, M16x2.0 RH ROTOR
	APPD.		
UNLESS SPECIFICALLY TOLERANCED, ALL DIMENSIONS ARE CONSIDERED REFERENCE			NO. 17-025-046
ISSUE	MODIFICATION	ECO	DATE
			SIGN
			SHEET A3