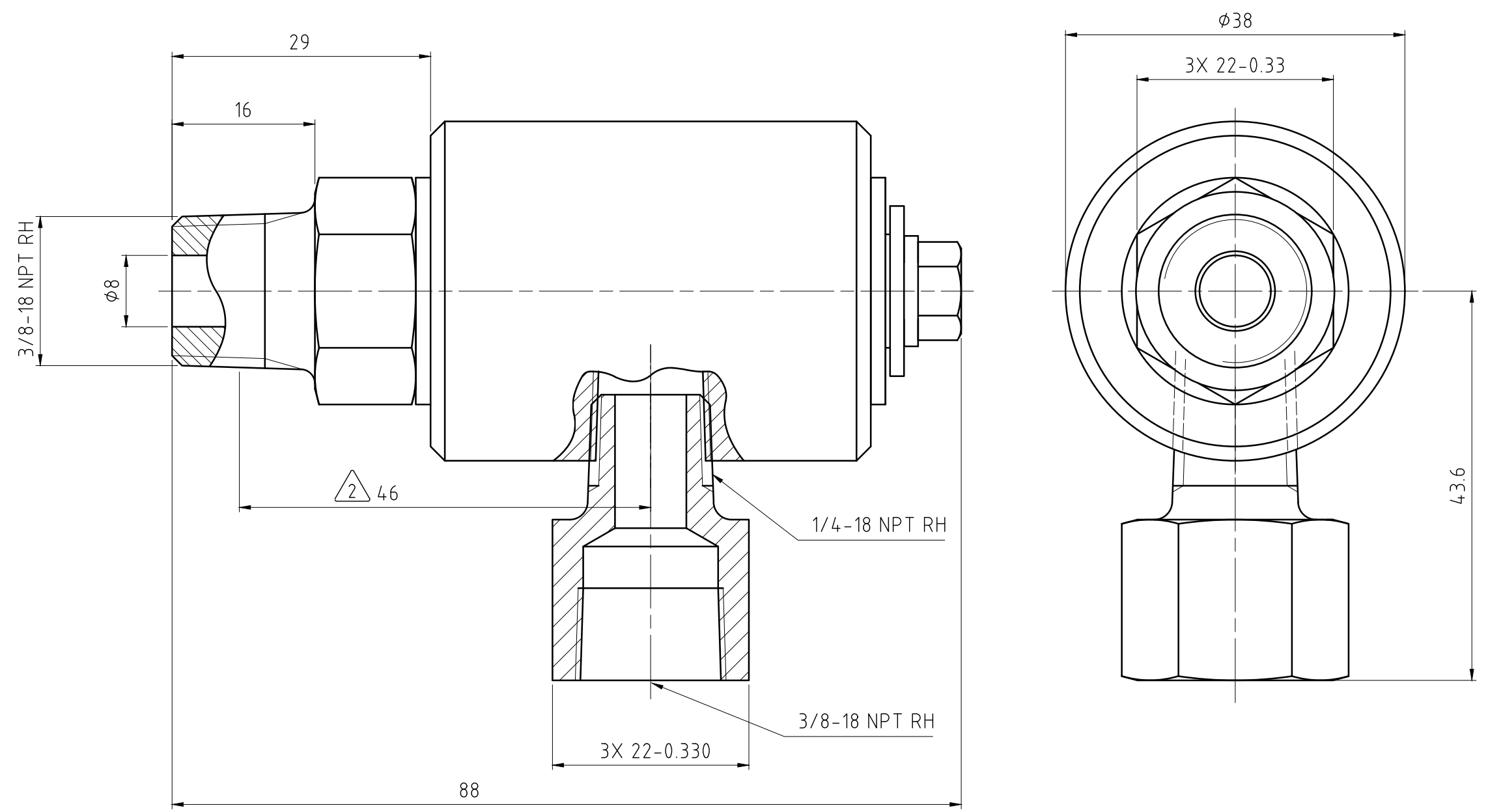


CONFIDENTIAL
 THIS DOCUMENT CONTAINS CONFIDENTIAL AND PROPRIETARY
 INFORMATION OF DEUBLIN COMPANY. COPYING, USE,
 TRANSMISSION, DISTRIBUTION, AND DISCLOSURE ARE SUBJECT
 TO THE TERMS AND CONDITIONS CONTAINED IN YOUR
 AGREEMENT WITH DEUBLIN COMPANY. ALL RIGHTS RESERVED.

- NOTES:
 1 - OPERATION AT MAXIMUM PRESSURE COMBINED WITH MAXIMUM
 SPEED SHOULD BE AVOIDED.
 2 - APPROXIMATE DISTANCE TO LOCKUP.
 3 - USE INSTALLATION INSTRUCTION 040-513.



OPERATING DATA 1					
MEDIA		AIR	HYDRAULIC OIL	VACUUM	WATER
PRESSURE	MAXIMUM	10 bar	207 bar	6.7 kPa	100 BAR
	MINIMUM	5 °C	5 °C	5 °C	5 °C
TEMPERATURE	MAXIMUM	121 °C	121 °C	121 °C	95 °C
	MINIMUM	5 °C	5 °C	5 °C	5 °C
MAXIMUM SPEED		250 min ⁻¹	250 min ⁻¹	250 min ⁻¹	250 min ⁻¹

				PROJECTION:		SCALE: 2:1	
				MATERIAL: INTERFACE CONTROL DRAWING			
				DATE: 05/22/2009		TITLE: 17 SERIES UNION, 3/8" NPT RH ROTOR	
				NAME: galindolm			
				DRN. ENGR.			
				APPD.			
E REVISED OPERATING DATA 036730 02/16 DO				UNLESS SPECIFICALLY TOLERANCED, ALL DIMENSIONS ARE CONSIDERED REFERENCE		NO. 17-058-056	
D REDRAWN TO IMS STD 005890 05/09 LG						SHEET A3	
ISSUE MODIFICATION ECO DATE SIGN							