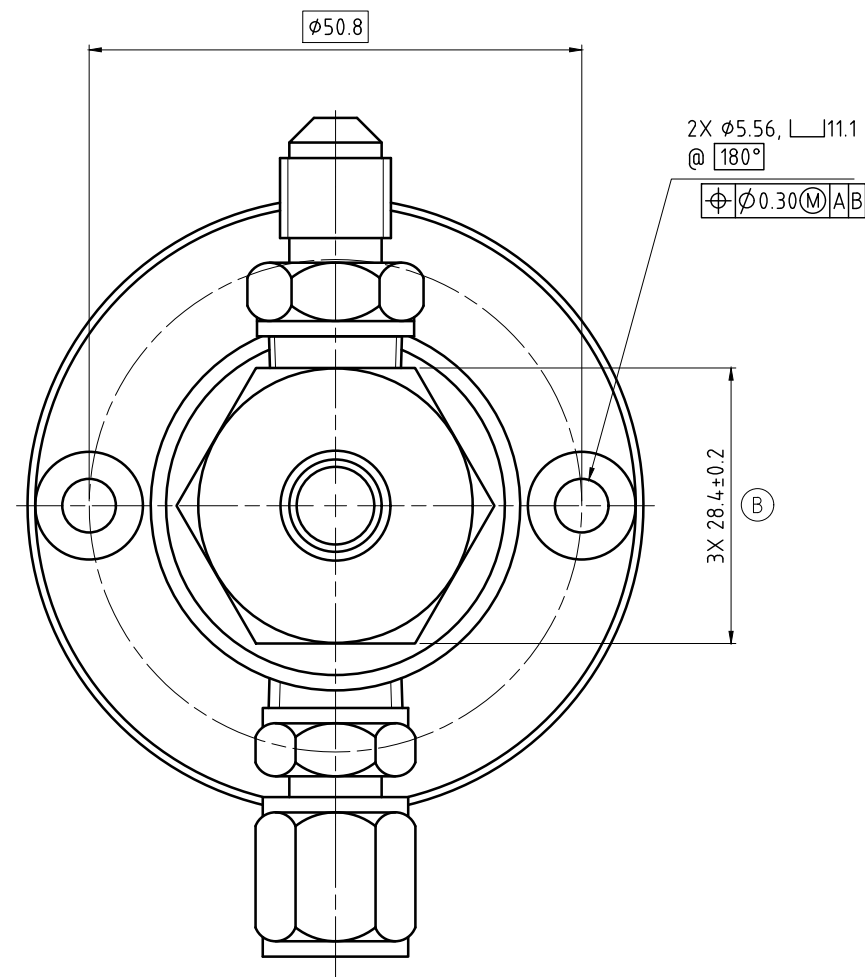
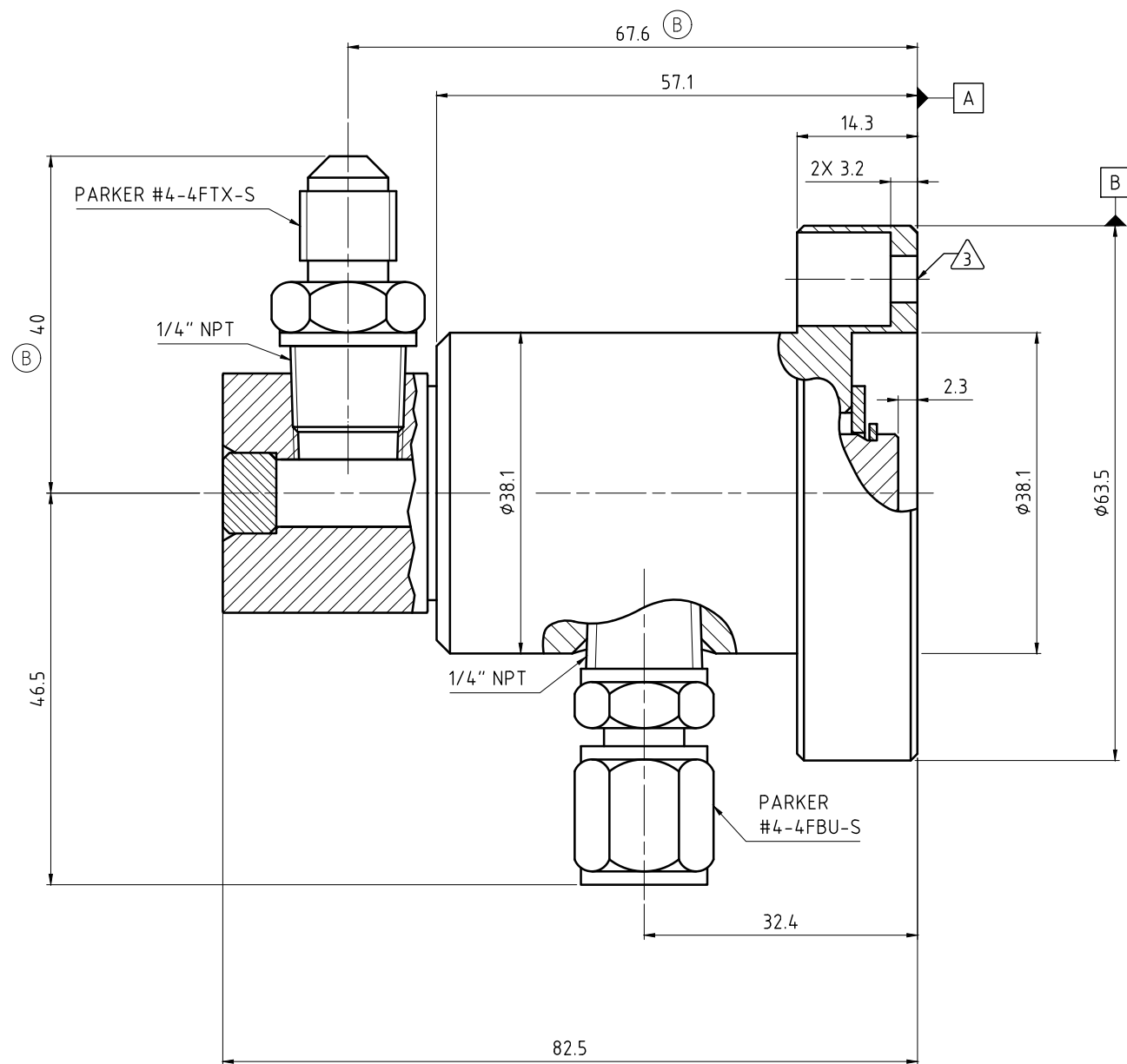


CONFIDENTIAL
 THIS DOCUMENT CONTAINS CONFIDENTIAL AND PROPRIETARY
 INFORMATION OF DEUBLIN COMPANY. COPYING, USE,
 TRANSMISSION, DISTRIBUTION, AND DISCLOSURE ARE SUBJECT
 TO THE TERMS AND CONDITIONS CONTAINED IN YOUR
 AGREEMENT WITH DEUBLIN COMPANY. ALL RIGHTS RESERVED.

NOTES:

- 1 - OPERATION AT MAXIMUM PRESSURE COMBINED WITH MAXIMUM SPEED SHOULD BE AVOIDED.
- 2 - USE INSTALLATION INSTRUCTION 040-513. DRAWING CLARITY.
- 3 - INDICATED FEATURE SHOWN ROTATED OUT OF POSITION FOR



OPERATING DATA 1				
MEDIA		AIR	HYDRAULIC OIL	VACUUM
PRESSURE	MAXIMUM	10 bar	207 bar	6.7 kPa
	MINIMUM	5 °C	5 °C	5 °C
TEMPERATURE	MAXIMUM	121 °C	121 °C	121 °C
	MINIMUM	5 °C	5 °C	5 °C
MAXIMUM SPEED		250 min ⁻¹	250 min ⁻¹	250 min ⁻¹

		PROJECTION:	SCALE: 2:1
		DATE: 06/23/09	NAME: L. Galindo
		DRN. ENGR.	TITLE: DEUBLIN UNION
		APPD.	NO. 17-062
B REVISED DIMENSIONS 023706 10/13 NR A HOUSING GEOMETRY 019361 7/12 GA		UNLESS SPECIFICALLY TOLERANCED, ALL DIMENSIONS ARE CONSIDERED REFERENCE	
CHANGED FROM 2 PIECE TO 1 PIECE		ISSUE MODIFICATION ECO DATE SIGN	SHEET A2