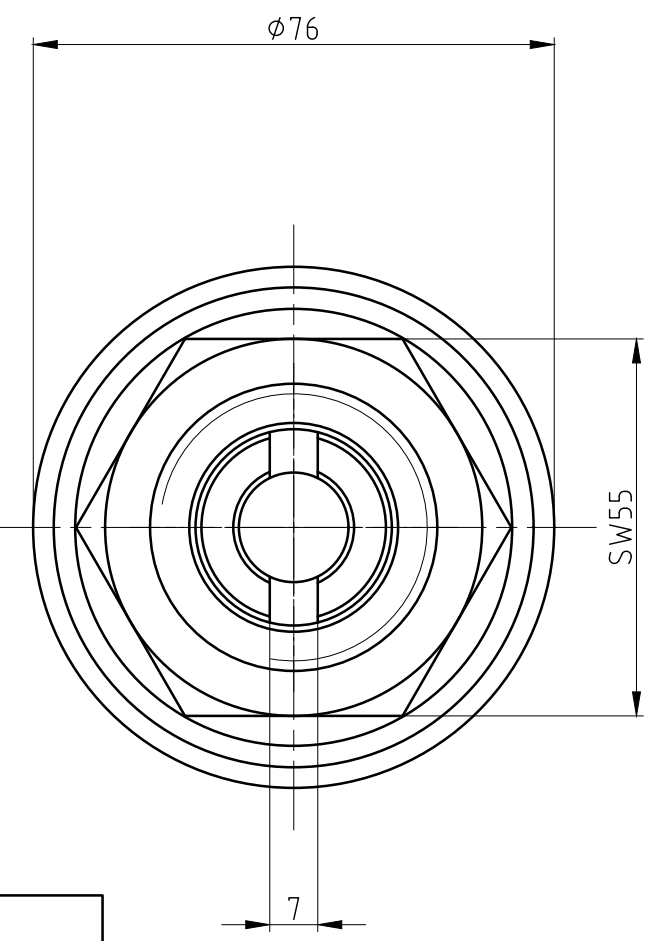
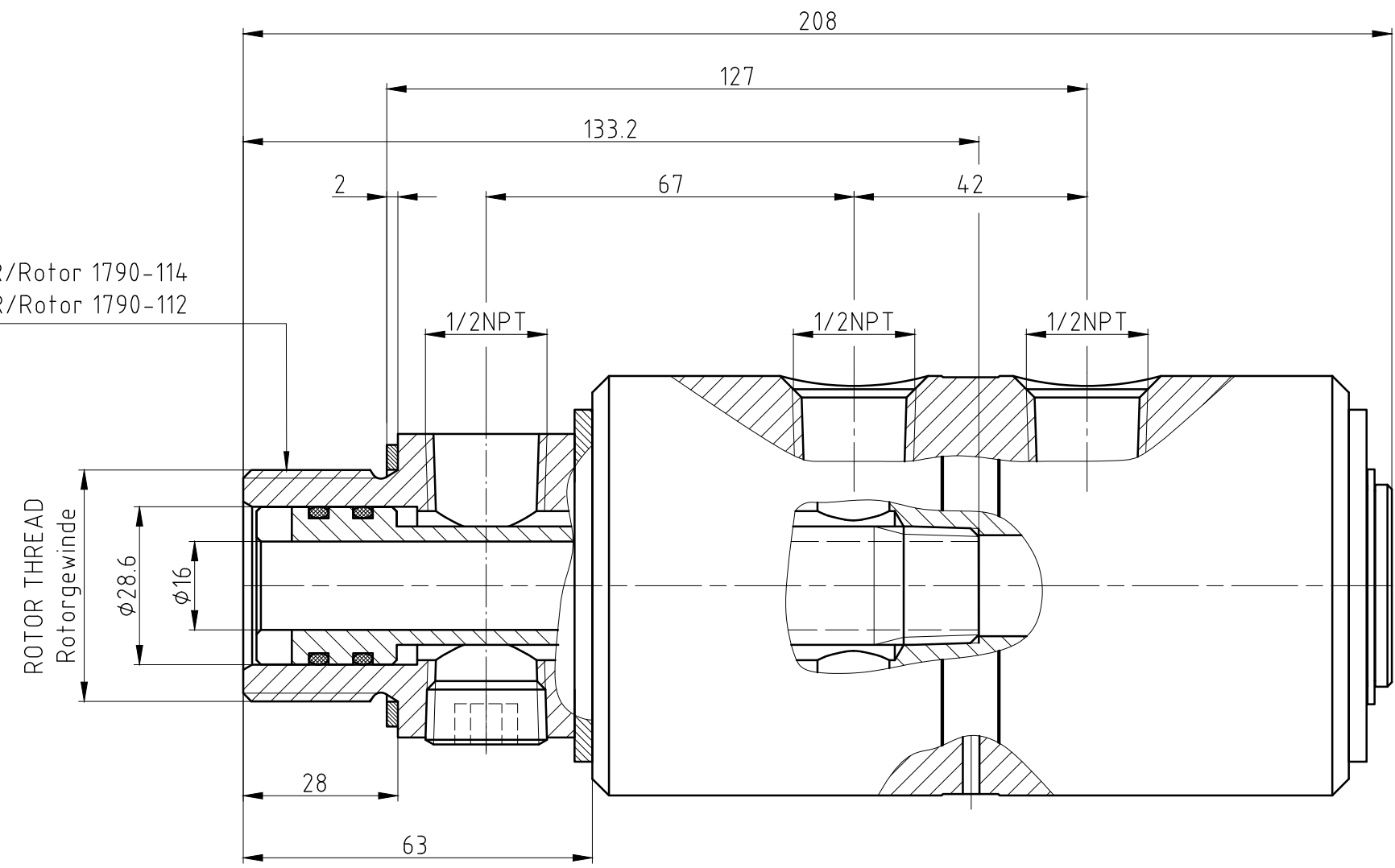
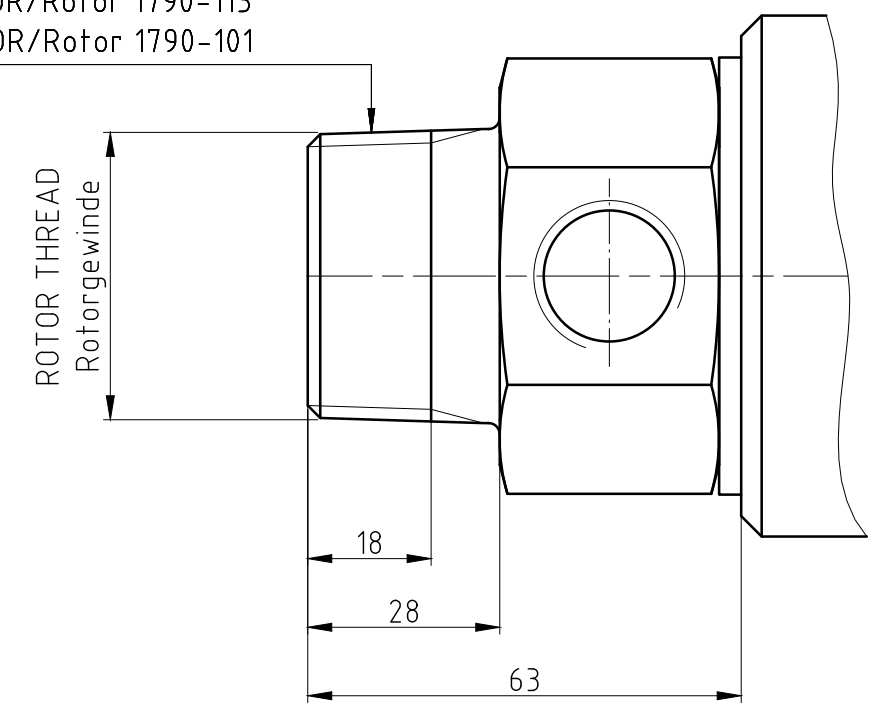


CONFIDENTIAL  
 THIS DOCUMENT CONTAINS CONFIDENTIAL AND PROPRIETARY  
 INFORMATION OF DEUBLIN COMPANY. COPYING, USE,  
 TRANSMISSION, DISTRIBUTION, AND DISCLOSURE ARE SUBJECT  
 TO THE TERMS AND CONDITIONS CONTAINED IN YOUR  
 AGREEMENT WITH DEUBLIN COMPANY. ALL RIGHTS RESERVED.

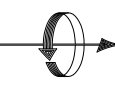
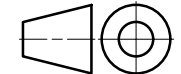
ROTOR/Rotor 1790-114  
 ROTOR/Rotor 1790-112



ROTOR/Rotor 1790-113  
 ROTOR/Rotor 1790-101



MODEL Best.-Nr.	ROTOR THREAD Rotor-Gewinde	NOTE Bemerkung
1790-001-112	G1 1/4 A RH	WITHOUT INNER ROTOR ohne inneren Rotor
1790-001-101	1 1/4 NPT RH	ohne inneren Rotor
1790-001-114	G1 1/4 A RH	WITH INNER ROTOR mit inneren Rotor
1790-001-113	1 1/4 NPT RH	mit inneren Rotor

 <b>DEUBLIN GmbH</b> D-65719 HOFHEIM-WALLAU, GERMANY	PROJECTION:	SCALE: 1:1	z:\unions												
		MATERIAL:													
<table border="1"> <tr> <td>DRN.</td> <td>17.03.2006</td> <td>NAME</td> <td>Schmid</td> </tr> <tr> <td>ENGR.</td> <td>17.03.2006</td> <td></td> <td>F.Dahl</td> </tr> <tr> <td>APPD.</td> <td></td> <td></td> <td></td> </tr> </table>	DRN.	17.03.2006	NAME	Schmid	ENGR.	17.03.2006		F.Dahl	APPD.				TITLE:		DEUBLIN ROTATING UNION DEUBLIN Drehdurchführung
DRN.	17.03.2006	NAME	Schmid												
ENGR.	17.03.2006		F.Dahl												
APPD.															
UNLESS SPECIFICALLY TOLERANCED, ALL DIMENSIONS ARE CONSIDERED REFERENCE		NO.	1790-001-RTR-DD												
ISSUE	MODIFICATION	ECO	DATE												
			SIGN												
			SHEET A3												