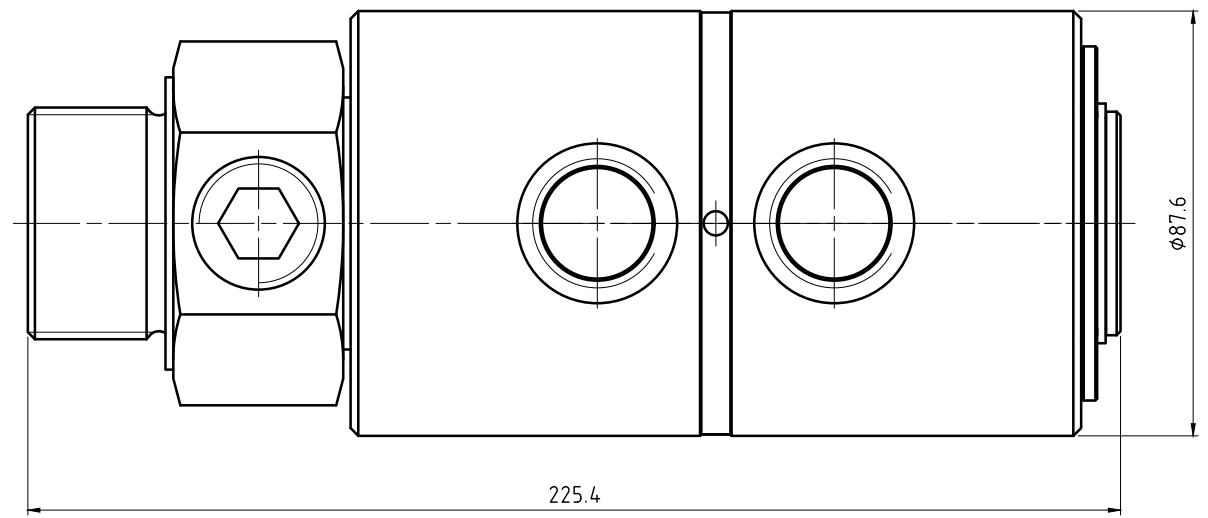
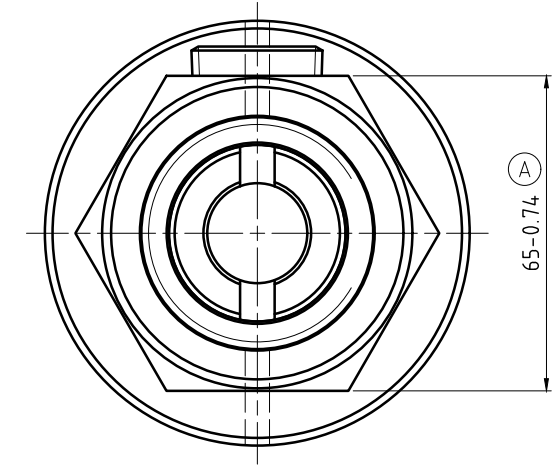
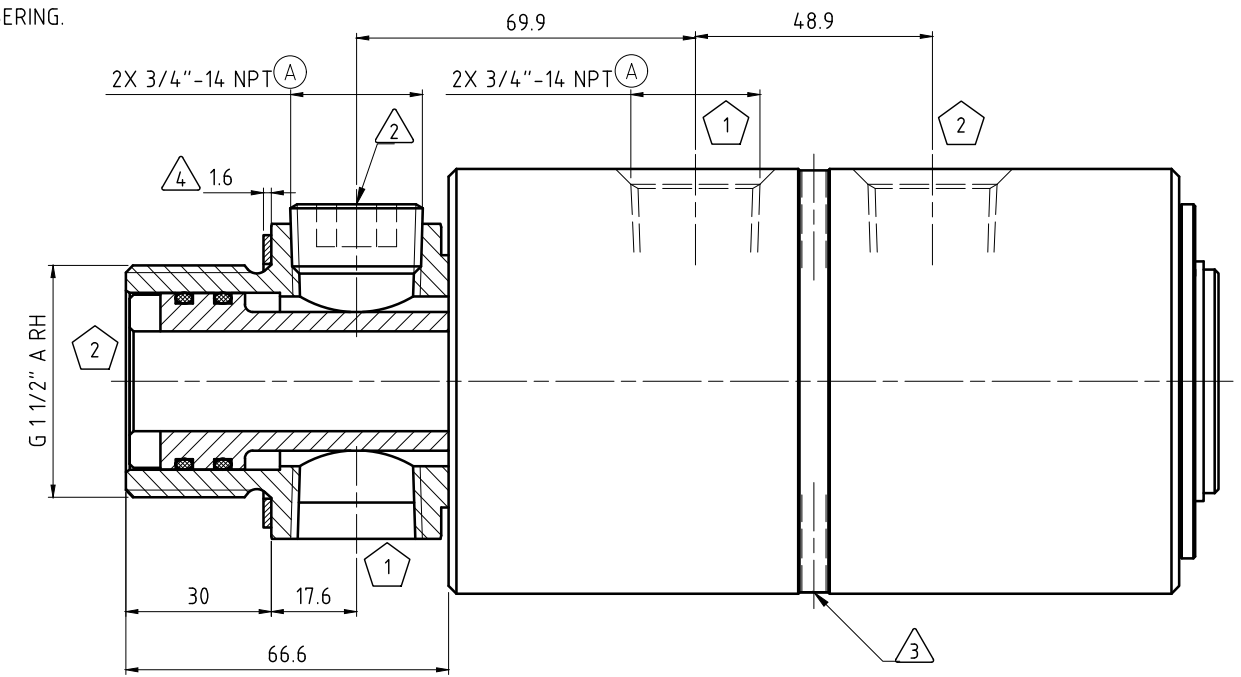


CONFIDENTIAL
 THIS DOCUMENT CONTAINS CONFIDENTIAL AND PROPRIETARY
 INFORMATION OF DEUBLIN COMPANY. COPYING, USE,
 TRANSMISSION, DISTRIBUTION, AND DISCLOSURE ARE SUBJECT
 TO THE TERMS AND CONDITIONS CONTAINED IN YOUR
 AGREEMENT WITH DEUBLIN COMPANY. ALL RIGHTS RESERVED.

NOTES:

- 1 - CONTACT DEUBLIN OR VISIT WWW.DEUBLIN.COM
 FOR INSTRUCTION MANUAL: 040-513
- 2 - PLUG INSTALLED HAND TIGHT FROM FACTORY. IF PORT IS NOT UTILIZED,
 TIGHTEN BEFORE USE.
- 3 - (2) VENTS.
- 4 - GASKET THICKNESS.
- 5 - CHANNEL NUMBERING.



OPERATING DATA		
MEDIA	AIR	HYDRAULIC OIL
PRESSURE MAX.	10 bar	210 bar
SPEED MAX.	250 min ⁻¹	
TEMPERATURE MAX.	115 °C (A)	

		PROJECTION:	SCALE: 1:1
		DATE: 23/09/2016 ENGR: 09/2016 APPD:	NAME: G.V. A.T.
TITLE: DEUBLIN UNION			NO. 1890-560
A SEE ECO 053631 10/19 MTS ISSUE MODIFICATION ECO DATE SIGN	UNLESS SPECIFICALLY TOLERANCED, ALL DIMENSIONS ARE CONSIDERED REFERENCE		SHEET A2