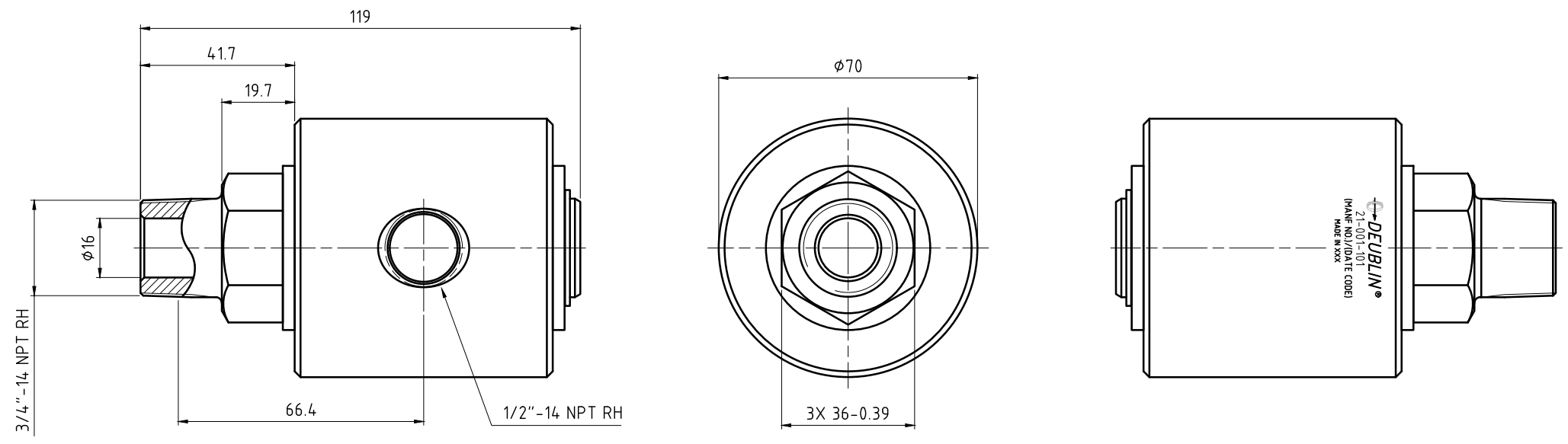


CONFIDENTIAL  
 THIS DOCUMENT CONTAINS CONFIDENTIAL AND PROPRIETARY  
 INFORMATION OF DEUBLIN COMPANY. COPYING, USE,  
 TRANSMISSION, DISTRIBUTION, AND DISCLOSURE ARE SUBJECT  
 TO THE TERMS AND CONDITIONS CONTAINED IN YOUR  
 AGREEMENT WITH DEUBLIN COMPANY. ALL RIGHTS RESERVED.

NOTES:

- 1 - OPERATION AT MAXIMUM PRESSURE COMBINED WITH MAXIMUM SPEED SHOULD BE AVOIDED.
- 2 - USE INSTALLATION INSTRUCTION 040-513.



OPERATING DATA

MEDIA		AIR	HYDRAULIC OIL	VACUUM
PRESSURE	MAXIMUM	10 bar	204 bar	6.7 kPa
	MINIMUM	5 °C	5 °C	5 °C
TEMPERATURE	MAXIMUM	121 °C	121 °C	121 °C
	MINIMUM	5 °C	5 °C	5 °C
SPEED	MAXIMUM	250 min <sup>-1</sup>	250 min <sup>-1</sup>	250 min <sup>-1</sup>

<b>DEUBLIN</b> Engineered for Performance		PROJECTION:	SCALE: 1:1
			MATERIAL:
DATE	NAME	TITLE: <b>INTERFACE CONTROL DRAWING UNION, 21 SERIES, 3/4" NPT RH RTR</b>	
DRN. 11/04/2009	galindolm		
ENGR.			
APPD.		NO. <b>21-001-101</b>	SHEET <b>A2</b>
A	REV. UPDATE TO MS 007947	11/09	LG
ISSUE	MODIFICATION	ECO	DATE
UNLESS SPECIFICALLY TOLERANCED, ALL DIMENSIONS ARE CONSIDERED REFERENCE			