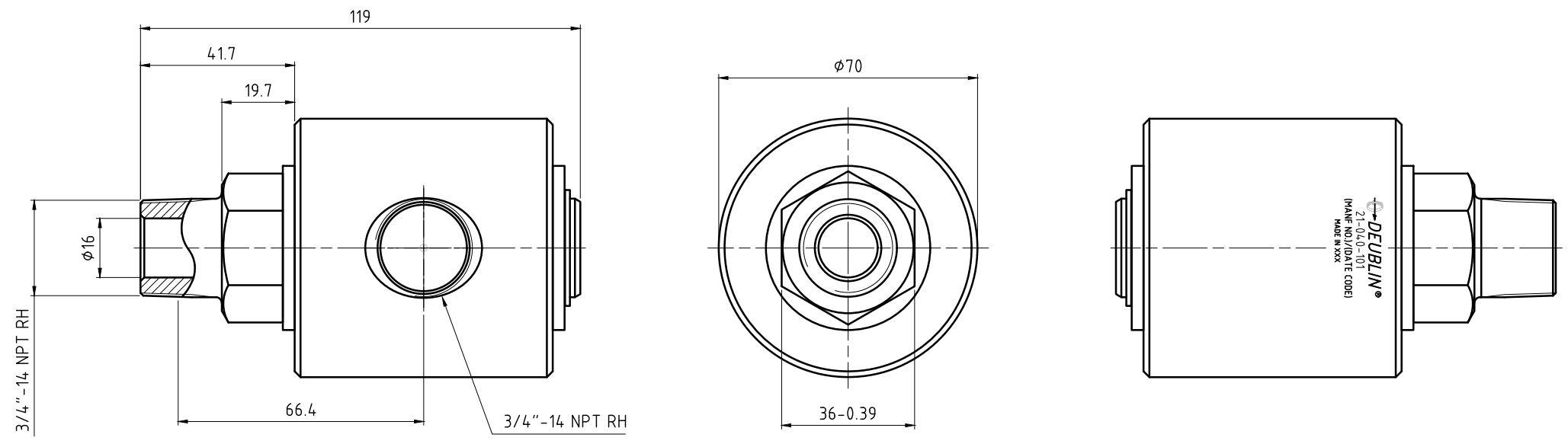


CONFIDENTIAL  
 THIS DOCUMENT CONTAINS CONFIDENTIAL AND PROPRIETARY  
 INFORMATION OF DEUBLIN COMPANY. COPYING, USE,  
 TRANSMISSION, DISTRIBUTION, AND DISCLOSURE ARE SUBJECT  
 TO THE TERMS AND CONDITIONS CONTAINED IN YOUR  
 AGREEMENT WITH DEUBLIN COMPANY. ALL RIGHTS RESERVED.

NOTES:

- 1 - OPERATION AT MAXIMUM PRESSURE COMBINED WITH MAXIMUM SPEED SHOULD BE AVOIDED.
- 2 - USE INSTALLATION INSTRUCTION 040-513.



OPERATING DATA

MEDIA		AIR	HYDRAULIC OIL	VACUUM	WATER
PRESSURE	MAXIMUM	10 bar	204 bar	6.7 kPa	103 bar
	MINIMUM	5 °C	5 °C	5 °C	5 °C
TEMPERATURE	MAXIMUM	121 °C	121 °C	121 °C	121 °C
	MINIMUM	5 °C	5 °C	5 °C	5 °C
SPEED	MAXIMUM	250 min <sup>-1</sup>	250 min <sup>-1</sup>	250 min <sup>-1</sup>	250 min <sup>-1</sup>

		PROJECTION:		SCALE: 1:1	
		MATERIAL:			
		DATE	NAME	TITLE:	
		DRN. 11/04/2009	galindolm	<b>INTERFACE CONTROL DRAWING          UNION, 21, 3/4" NPT RH ROTOR</b>	
		ENGR. 04/06/2010	eloacker		
		APPD.			
		UNLESS SPECIFICALLY TOLERANCED, ALL DIMENSIONS ARE CONSIDERED REFERENCE		NO.	
A	UPDATE TO MS STD	007947	11/09	LG	<b>21-040-101</b>
	ISSUE MODIFICATION	ECO	DATE	SIGN	
				SHEET	
				A2	