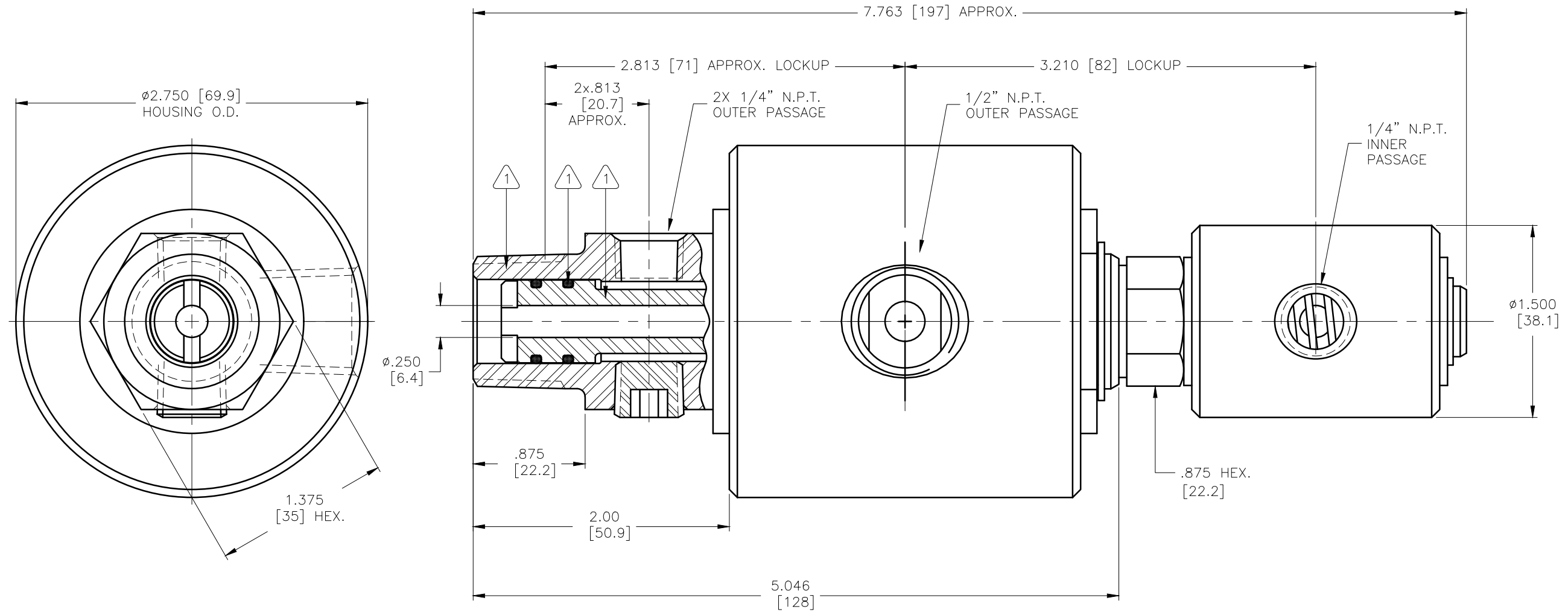


NOTES:

- 1 - ITEMS COMPRISE THE 2117-109 ROTOR ASSEMBLY.
- 2 - DIMENSIONS IN [ ] ARE IN MILLIMETERS.



OPERATING DATA		
MEDIA	AIR & HYDRAULIC	
MAX AIR PRESSURE	150 PSI	10 bar
MAX VACUUM	28" Hg	6.7kPa
MAX HYD. PRESSURE	3000 PSI	204 bar
MAX SPEED	250 RPM	250/min
MAX TEMPERATURE	250°F	121°C

CONFIDENTIAL  
 THIS DOCUMENT CONTAINS CONFIDENTIAL AND PROPRIETARY INFORMATION OF DEUBLIN COMPANY. COPYING, USE, TRANSMISSION, DISTRIBUTION, AND DISCLOSURE ARE SUBJECT TO THE TERMS AND CONDITIONS CONTAINED IN YOUR AGREEMENT WITH DEUBLIN COMPANY. ALL RIGHTS RESERVED.

EQUIPMENT REF:				SCALE	1.66:1	DWG SIZE	C
ASSY/TEST FIXTURES REQUIRED:				DRN	LG	08/27/03	
UNLESS SPECIFICALLY TOLERANCED, ALL DIMENSIONS ARE REFERENCE				ENGR			
DIMENSIONS IN [ ] ARE IN MILLIMETERS.				APPD			
B ADDED VACUUM DATA				11373	09/10	RM	
A OPERATING PARAMETERS WERE FOR WATER SERVICE				EGR	12/03	RM	
LET.	REVISION	ECO	DATE	SIGN			

**DEUBLIN COMPANY**  
 WAUKEGAN, ILLINOIS, U.S.A.

TITLE: INTERFACE CONTROL  
 DRAWING FOR DEUBLIN  
 UNION 2117-001-109

NO. 2117-001-109  
 C.A.D. DRAWING