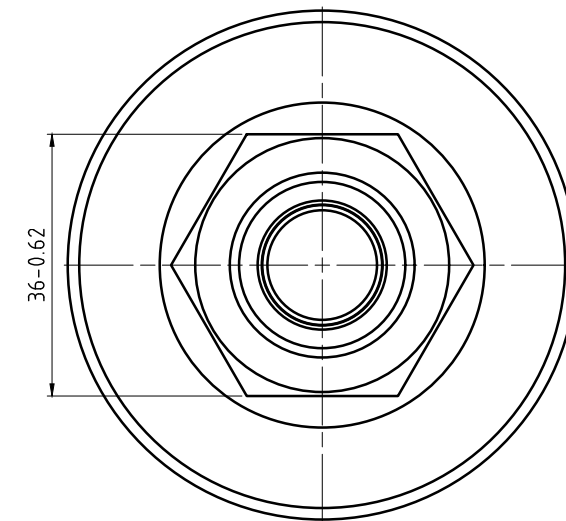
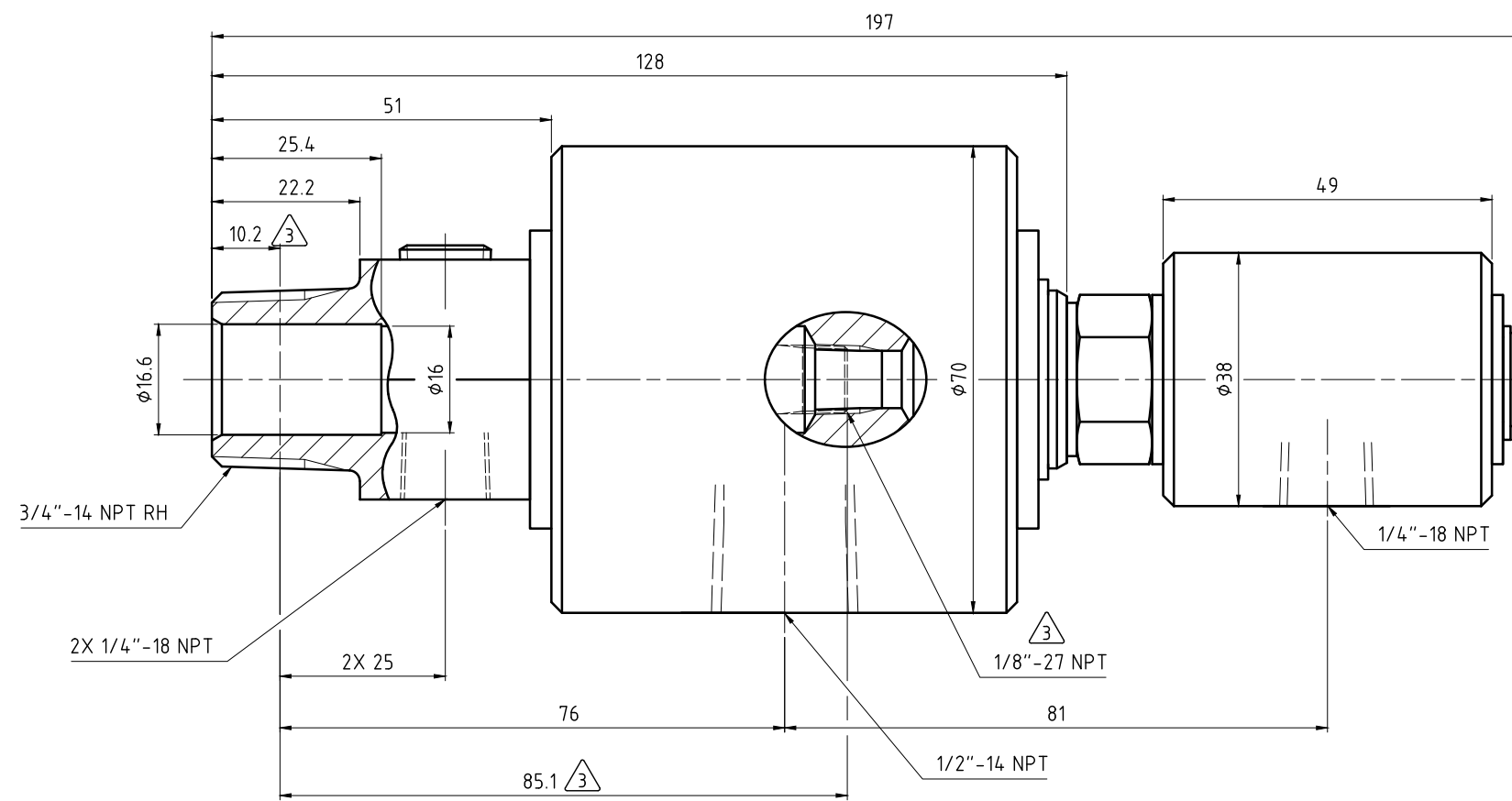


CONFIDENTIAL
 THIS DOCUMENT CONTAINS CONFIDENTIAL AND PROPRIETARY
 INFORMATION OF DEUBLIN COMPANY. COPYING, USE,
 TRANSMISSION, DISTRIBUTION, AND DISCLOSURE ARE SUBJECT
 TO THE TERMS AND CONDITIONS CONTAINED IN YOUR
 AGREEMENT WITH DEUBLIN COMPANY. ALL RIGHTS RESERVED.

NOTES:

- 1 - OPERATION AT MAXIMUM PRESSURE COMBINED WITH MAXIMUM SPEED SHOULD BE AVOIDED.
- 2 - USE INSTALLATION INSTRUCTION 040-513.
- 3 - PIPE SUPPLIED BY CUSTOMER. PIPE SIZE: 1/8"



OPERATING DATA 1			
MEDIA	AIR	HYDRAULIC OIL	VACUUM
MAX. PRESSURE	10 bar	204 bar	6.7 kPa
MAX. TEMPERATURE	120 °C	120 °C	120 °C
MAX. SPEED	250 1/min	250 1/min	250 1/min
FILTRATION	60 µm	60 µm	60 µm

		PROJECTION:	SCALE: 1.5:1		
			MATERIAL: INTERFACE CONTROL DRAWING		
DRN.	01/03/2011	lgalindo	TITLE: DEUBLIN TANDEM DUAL PASSAGE UNION, 3/4" NPT ROTOR		
ENGR.	01/04/2011	fwilson			
APPD.					
UNLESS SPECIFICALLY TOLERANCED, ALL DIMENSIONS ARE CONSIDERED REFERENCE			NO. 2117-001-110		
ISSUE	MODIFICATION	ECO	DATE	SIGN	SHEET A2