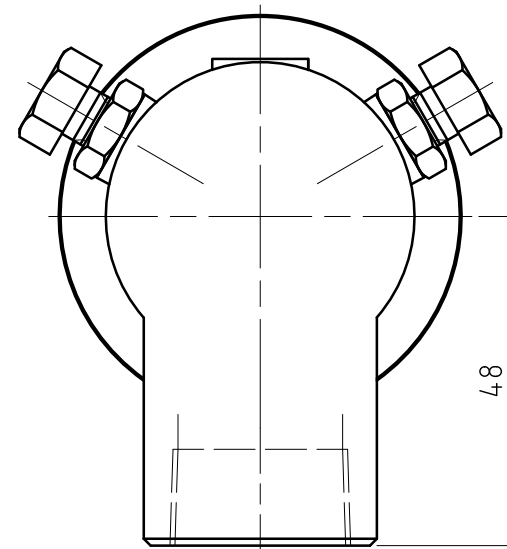
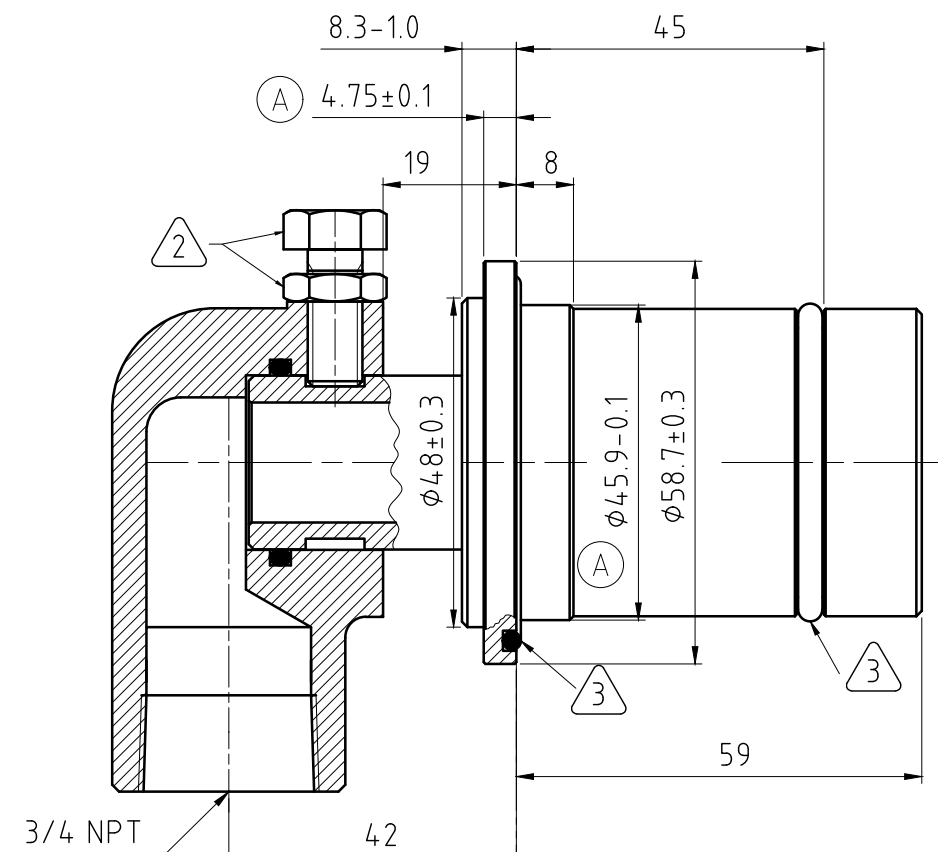


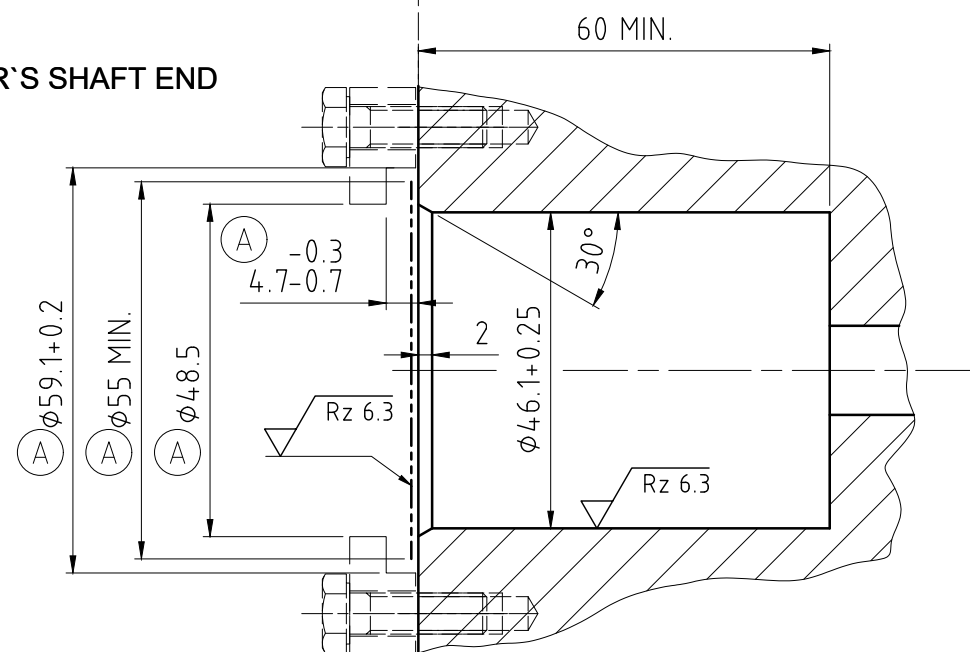
CONFIDENTIAL  
 THIS DOCUMENT CONTAINS CONFIDENTIAL AND PROPRIETARY INFORMATION OF DEUBLIN COMPANY. COPYING, USE, TRANSMISSION, DISTRIBUTION, AND DISCLOSURE ARE SUBJECT TO THE TERMS AND CONDITIONS CONTAINED IN YOUR AGREEMENT WITH DEUBLIN COMPANY. ALL RIGHTS RESERVED.

NOTES:

- (A) 1 - CONTACT DEUBLIN OR VISIT WWW.DEUBLIN.COM FOR INSTRUCTION MANUAL: 040-564
- 2 - TIGHTEN INDICATED BOLTS AND SECURE WITH LOCK NUT.
- 3 - LUBRICATE INDICATED O-RINGS WITH SILICONE BASED GREASE.



CUSTOMER'S SHAFT END



OPERATING DATA	
MEDIA	WATER
PRESSURE MAX.	10 bar
SPEED MAX.	100 min <sup>-1</sup>
TEMPERATURE MAX.	120 °C
FLOW MAX.	53 l/min

		PROJECTION:		SCALE: 1:1
		MATERIAL:		INTERFACE CONTROL DRAWING
		DATE	NAME	TITLE:
		DRN. 05/10/07	RM	DEUBLIN ROTATING UNION DEUBLIN Drehdurchführung
		ENGR. 05/10/07	AL	
		APPD.		NO.
		UNLESS SPECIFICALLY TOLERANCED, ALL DIMENSIONS ARE CONSIDERED REFERENCE		2420-001-125
A	UPDATE IMS	04089608.02.17	HS	SHEET
ISSUE	MODIFICATION	ECO	DATE	SIGN
				A2