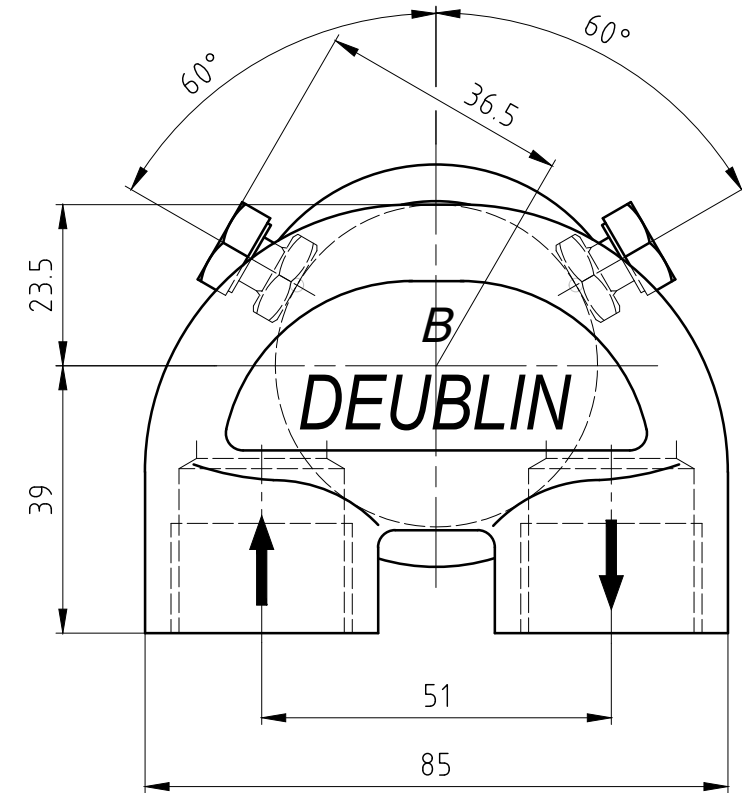
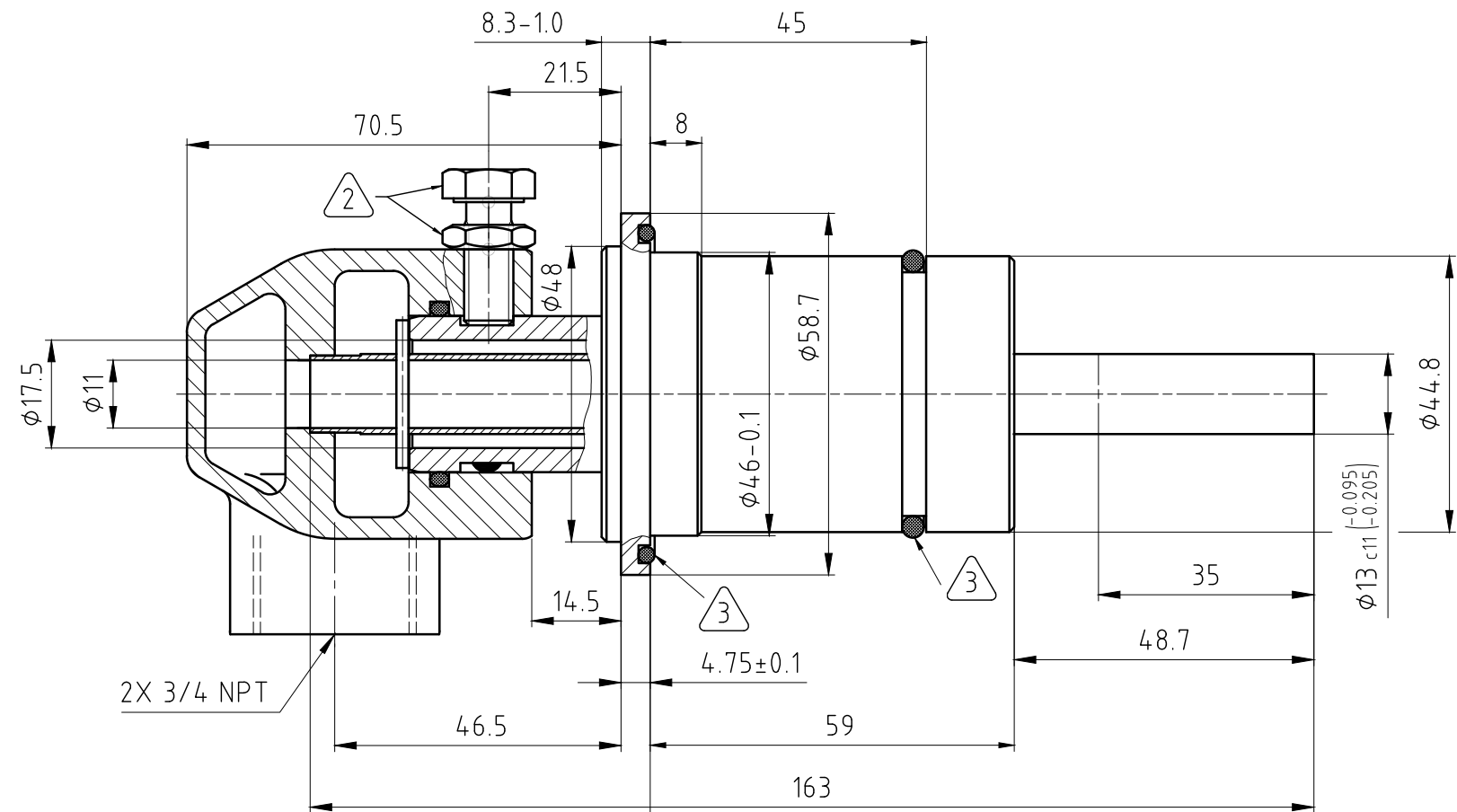


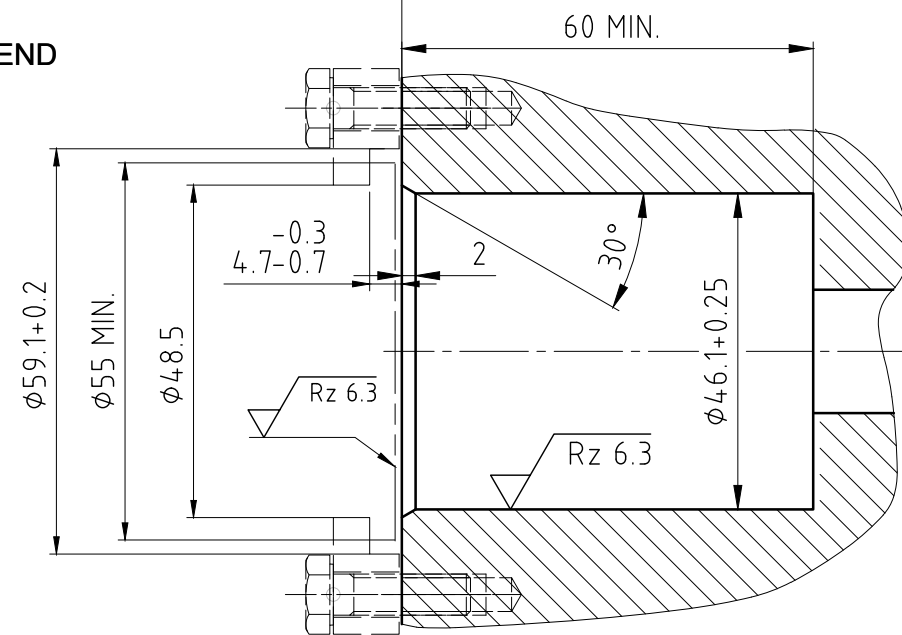
NOTES:

- 1 - CONTACT DEUBLIN OR VISIT WWW.DEUBLIN.COM
FOR INSTRUCTION MANUAL: 040-564
- 2 - TIGHTEN INDICATED BOLTS AND SECURE WITH LOCK NUT.
- 3 - LUBRICATE INDICATED O-RINGS WITH SILICONE BASED GREASE.

CONFIDENTIAL
THIS DOCUMENT CONTAINS CONFIDENTIAL AND PROPRIETARY
INFORMATION OF DEUBLIN COMPANY. COPYING, USE,
TRANSMISSION, DISTRIBUTION, AND DISCLOSURE ARE SUBJECT
TO THE TERMS AND CONDITIONS CONTAINED IN YOUR
AGREEMENT WITH DEUBLIN COMPANY. ALL RIGHTS RESERVED.



CUSTOMER'S SHAFT END



OPERATING DATA	
MEDIA	WATER
PRESSURE MAX.	10 bar
SPEED MAX.	100 min ⁻¹
TEMPERATURE MAX.	120 °C
FLOW MAX.	23 l/min

		PROJECTION:		SCALE: 1:1	MATERIAL: INTERFACE CONTROL DRAWING
		DATE		NAME	
DRN.	28.08.2017	CW	DEUBLIN ROTATING UNION DEUBLIN Drehdurchführung		
ENGR.	28.08.2017	HS			
APPD.			NO. 2420-001-135180	SHEET A3	
UNLESS SPECIFICALLY TOLERANCED, ALL DIMENSIONS ARE CONSIDERED REFERENCE					
ISSUE	MODIFICATION	ECO	DATE	SIGN	