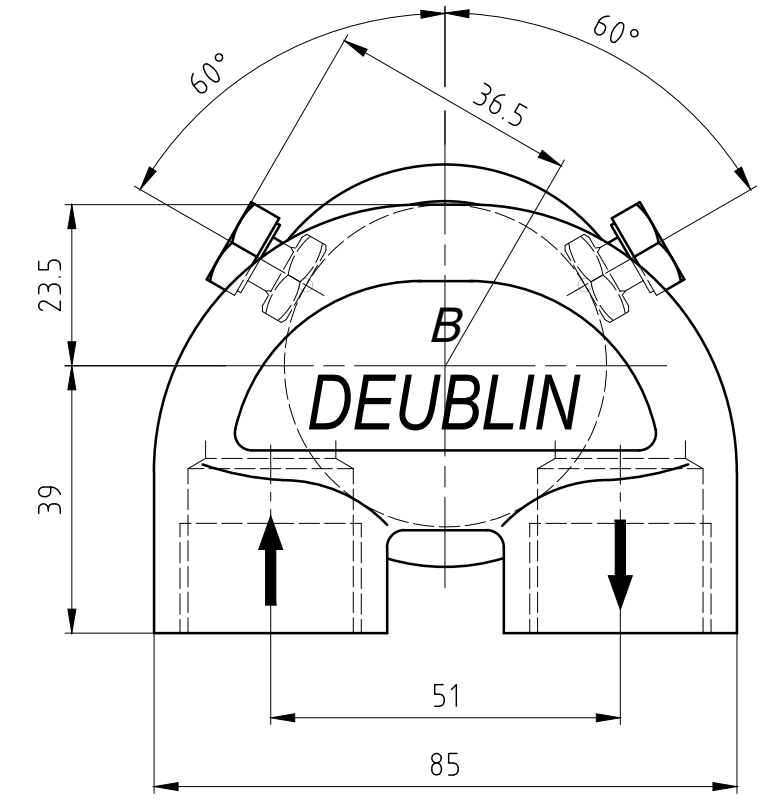
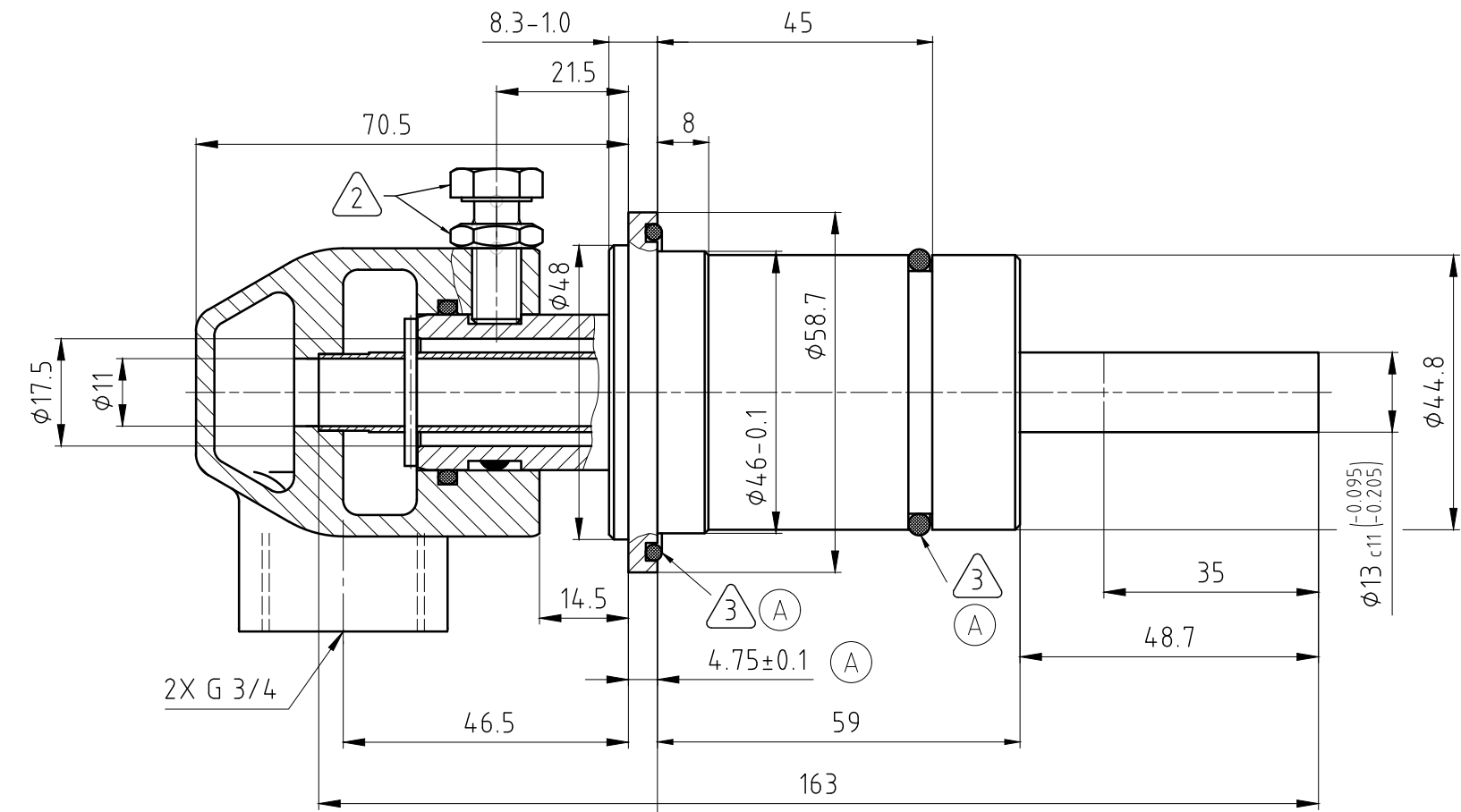


CONFIDENTIAL

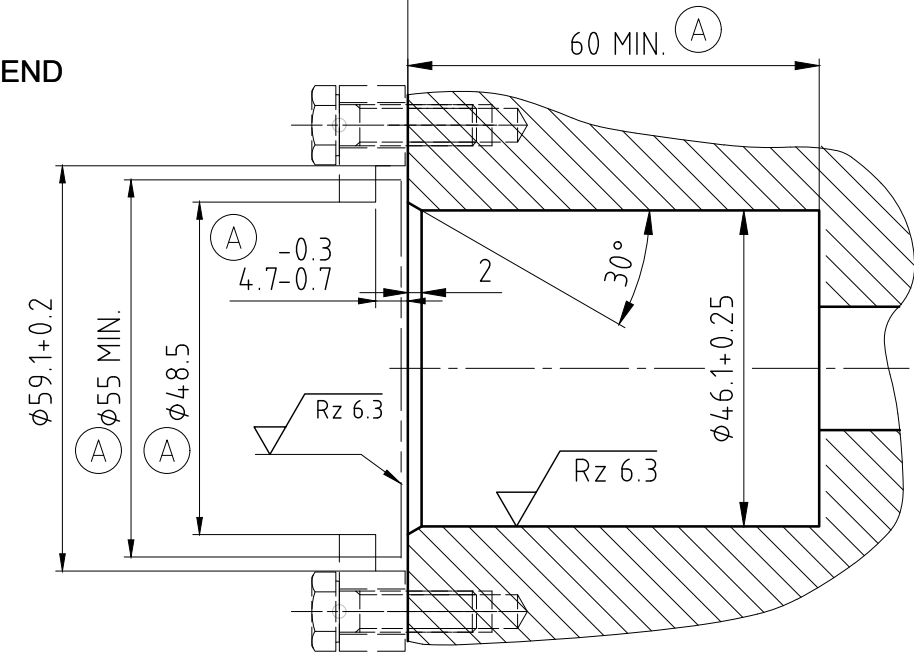
THIS DOCUMENT CONTAINS CONFIDENTIAL AND PROPRIETARY INFORMATION OF DEUBLIN COMPANY. COPYING, USE, TRANSMISSION, DISTRIBUTION, AND DISCLOSURE ARE SUBJECT TO THE TERMS AND CONDITIONS CONTAINED IN YOUR AGREEMENT WITH DEUBLIN COMPANY. ALL RIGHTS RESERVED.

NOTES:

- 1 - CONTACT DEUBLIN OR VISIT [WWW.DEUBLIN.COM](http://WWW.DEUBLIN.COM) FOR INSTRUCTION MANUAL: 040-564
- 2 - TIGHTEN INDICATED BOLTS AND SECURE WITH LOCK NUT.
- 3 - LUBRICATE INDICATED O-RINGS WITH SILICONE BASED GREASE.



CUSTOMER'S SHAFT END



OPERATING DATA	
MEDIA	WATER
PRESSURE MAX.	10 bar
SPEED MAX.	100 min <sup>-1</sup>
TEMPERATURE MAX.	120 °C
FLOW MAX.	23 l/min

		PROJECTION:		SCALE: 1:1	MATERIAL: INTERFACE CONTROL DRAWING
		DATE		NAME	
DRN.	12.11.2007	F. Dahl	DEUBLIN ROTATING UNION DEUBLIN Drehdurchführung		
ENGR.	12.11.2007	Ch. Wolf			
APPD.			NO. 2420-001-141180	SHEET A3	
A	UPDATE IMS	040896	17.02.17	HS	UNLESS SPECIFICALLY TOLERANCED, ALL DIMENSIONS ARE CONSIDERED REFERENCE
ISSUE	MODIFICATION	ECO	DATE	SIGN	