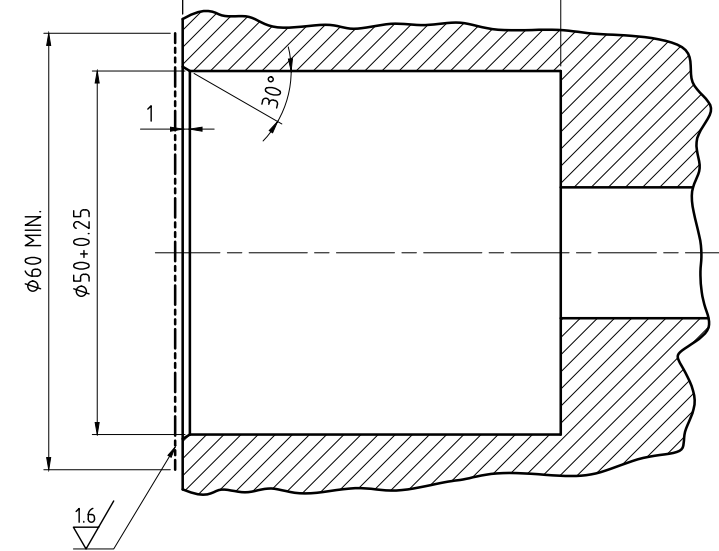
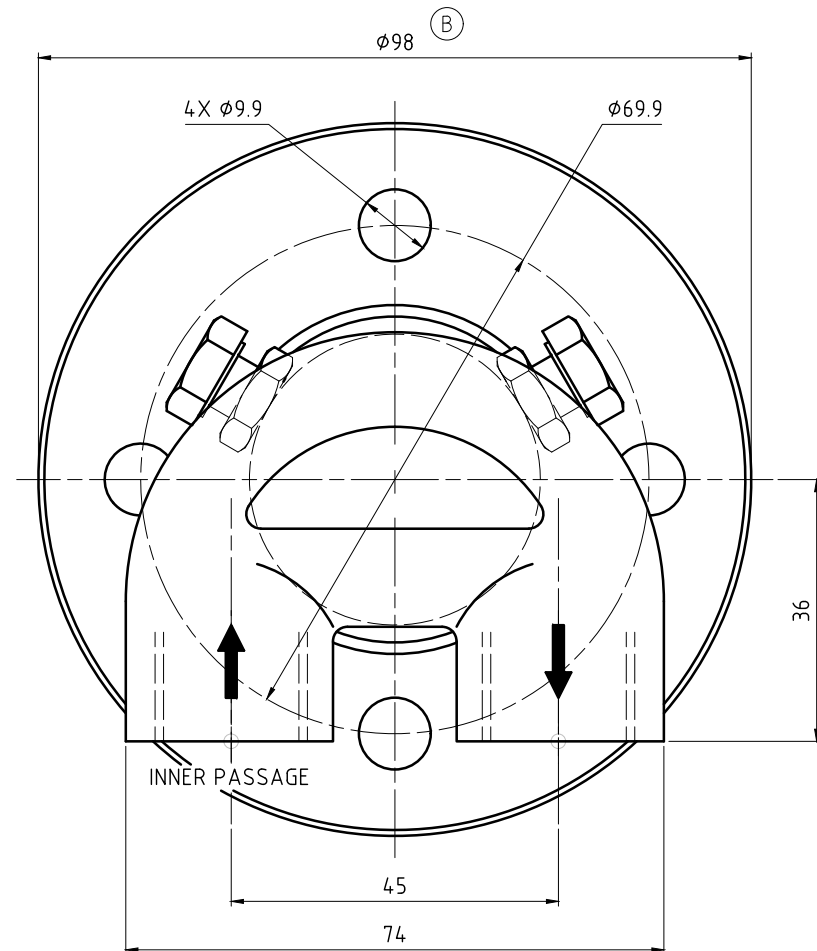
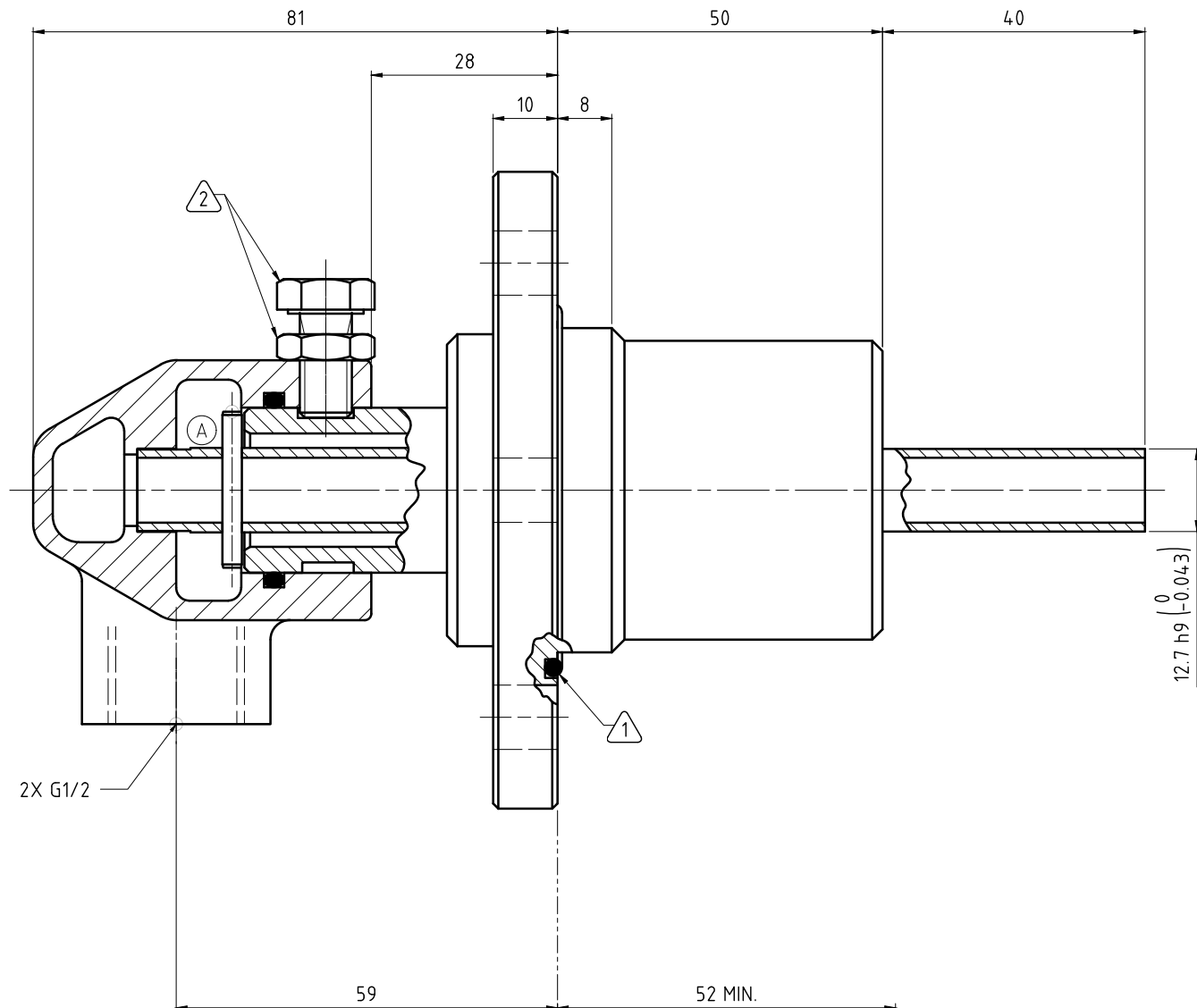


CONFIDENTIAL  
 THIS DOCUMENT CONTAINS CONFIDENTIAL AND PROPRIETARY  
 INFORMATION OF DEUBLIN COMPANY. COPYING, USE,  
 TRANSMISSION, DISTRIBUTION, AND DISCLOSURE ARE SUBJECT  
 TO THE TERMS AND CONDITIONS CONTAINED IN YOUR  
 AGREEMENT WITH DEUBLIN COMPANY. ALL RIGHTS RESERVED.

NOTES:

- ① - LUBRICATE INDICATED O-RINGS WITH SILICONE BASED GREASE.
- ② - TIGHTEN INDICATED BOLTS AND SECURE WITH LOCK NUT.



OPERATING PARAMETERS		
MEDIA	WATER	
MAX. PRESSURE	150 PSI	10 bar
MAX. SPEED	100 RPM	100/min
MAX. TEMPERATURE	250 F	121 C

		PROJECTION:	SCALE: 1.5:1
			MATERIAL: N/A
		DATE: 08/11/06 NAME: RM	TITLE: <b>INTERFACE CONTROL DRAWING          FOR UNION 2420-002-144-468</b>
		ENGR: 08/11/06 NAME: AL	
		APPD.	
B WAS #00 016678 01/12 RM A REMO O-RING 7798 11/06 LG	ISSUE MODIFICATION ECO DATE SIGN	NO. 2420-002-144-468-IC	SHEET A2

UNLESS SPECIFICALLY TOLERANCED, ALL DIMENSIONS ARE CONSIDERED REFERENCE