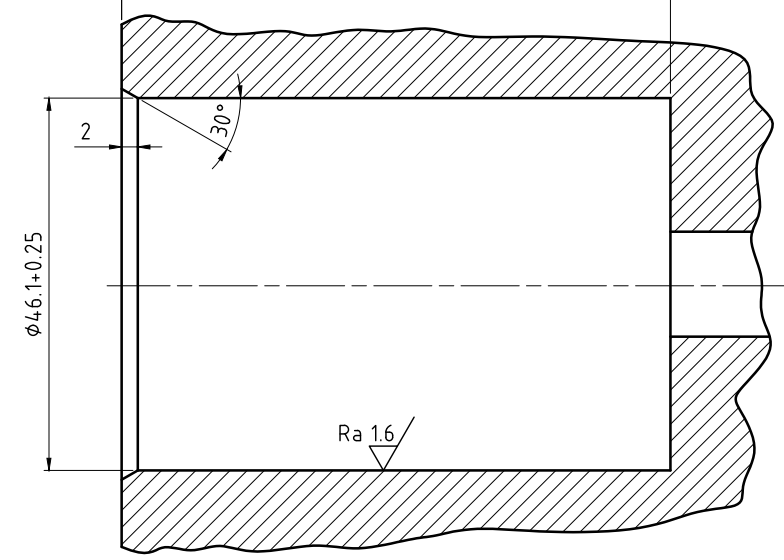
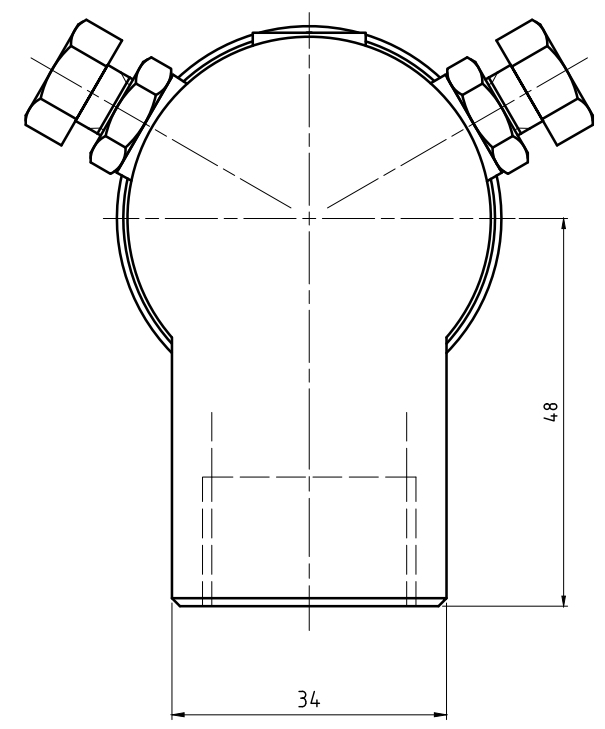
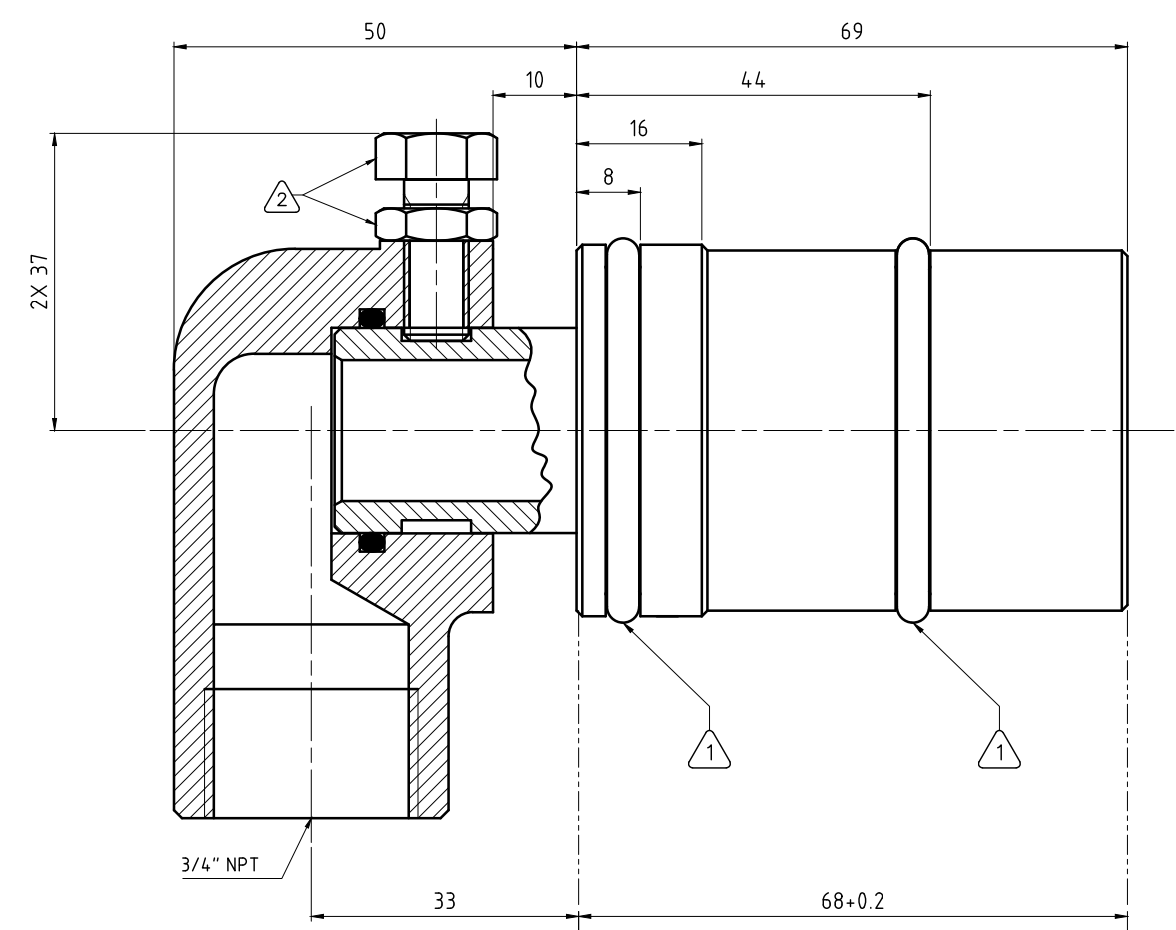


CONFIDENTIAL
 THIS DOCUMENT CONTAINS CONFIDENTIAL AND PROPRIETARY
 INFORMATION OF DEUBLIN COMPANY. COPYING, USE,
 TRANSMISSION, DISTRIBUTION, AND DISCLOSURE ARE SUBJECT
 TO THE TERMS AND CONDITIONS CONTAINED IN YOUR
 AGREEMENT WITH DEUBLIN COMPANY. ALL RIGHTS RESERVED.

NOTES:
 ⚠ - LUBRICATE INDICATED O-RINGS WITH SILICONE BASED GREASE.
 ⚠ - TIGHTEN INDICATED BOLTS AND SECURE WITH LOCK NUT.
 3 - WHEN ORDERING FROM DEUBLIN USE PART NUMBER: 2420-017-125.



OPERATING PARAMETERS		
MEDIA	WATER	
MAX. PRESSURE	150 PSI	10 bar
MAX. SPEED	100 RPM	100/min
MAX. TEMPERATURE	250 F	121 C
MAX. FLOW	6 GPM	23 L/min

 DEUBLIN COMPANY WAUKEGAN, ILLINOIS, U.S.A.	PROJECTION: 	SCALE: 1.666:1 MATERIAL:							
	<table border="1"> <tr> <th>DATE</th> <th>NAME</th> </tr> <tr> <td>DRN. 07/18/08</td> <td>N. Reyna</td> </tr> <tr> <td>ENGR. 07/18/08</td> <td>S. Stasi</td> </tr> <tr> <td>APPD.</td> <td></td> </tr> </table>	DATE	NAME	DRN. 07/18/08	N. Reyna	ENGR. 07/18/08	S. Stasi	APPD.	
DATE	NAME								
DRN. 07/18/08	N. Reyna								
ENGR. 07/18/08	S. Stasi								
APPD.									
UNLESS SPECIFICALLY TOLERANCED, ALL DIMENSIONS ARE CONSIDERED REFERENCE		NO. 2420-017-125							
ISSUE MODIFICATION ECO DATE SIGN		SHEET A2							