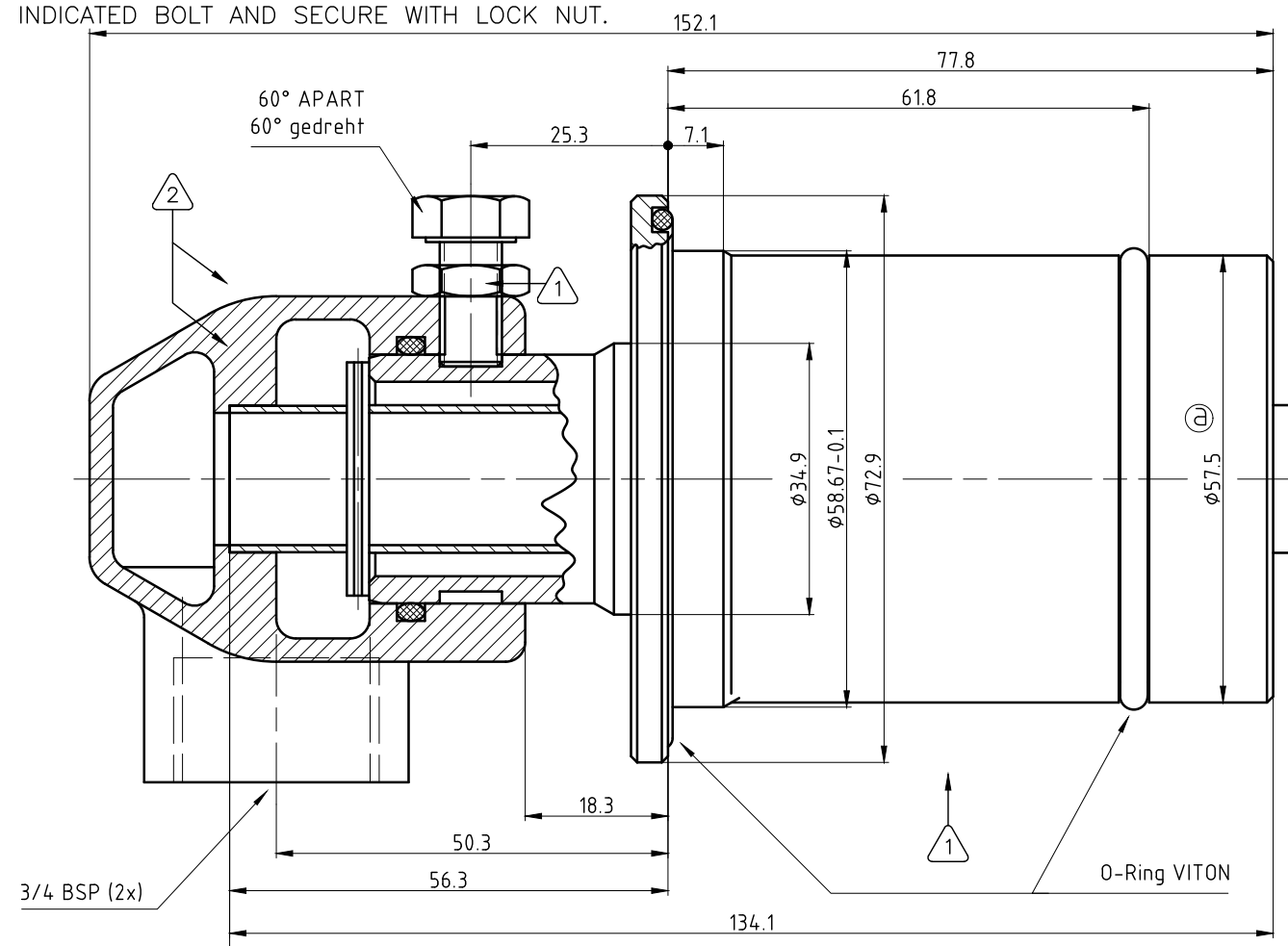
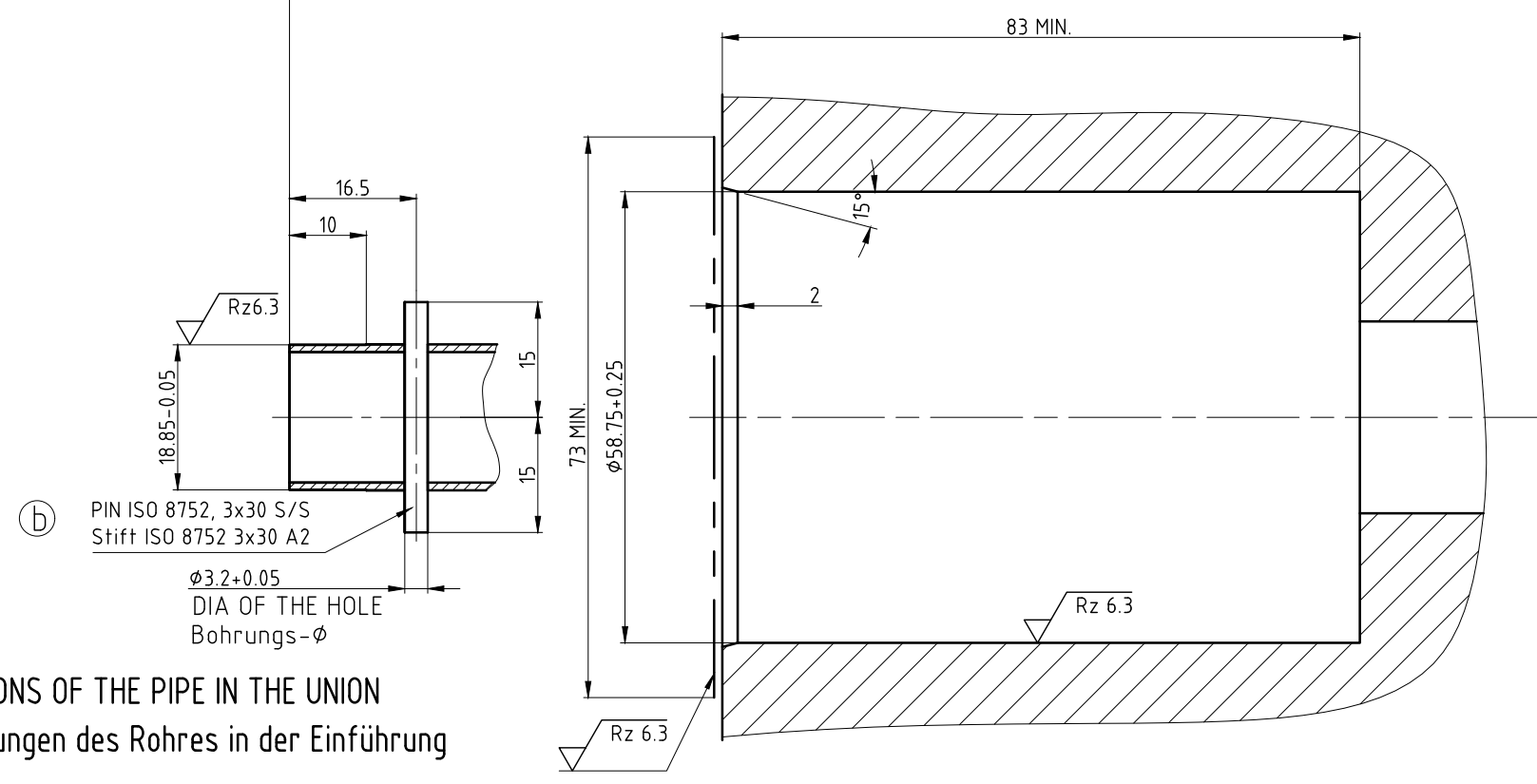
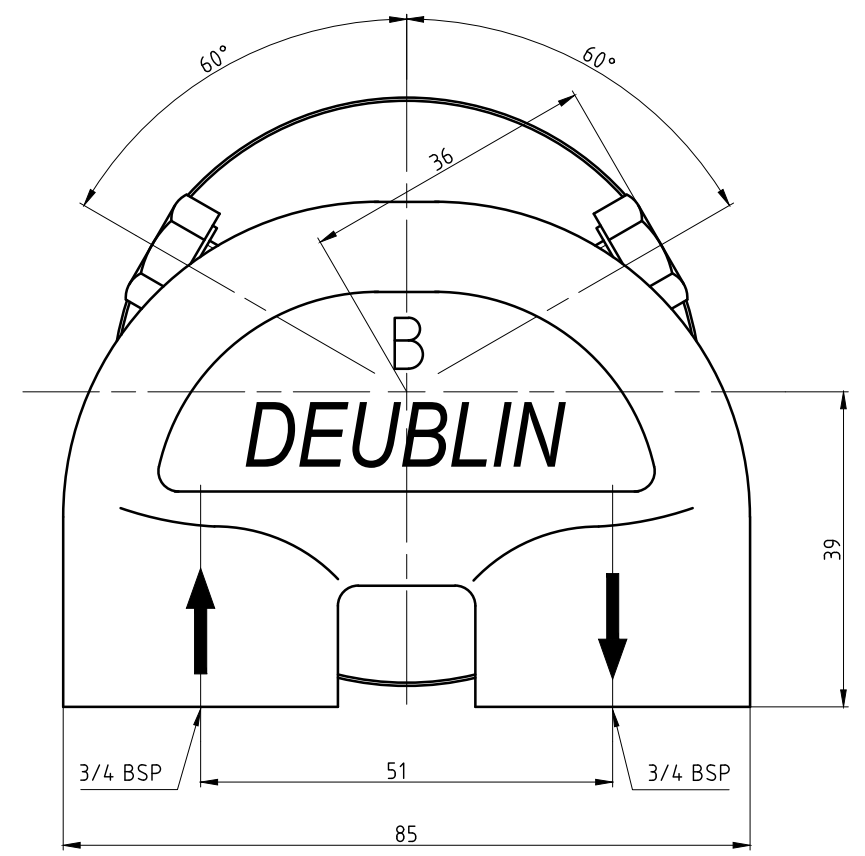


NOTE:

- ① - LUBRICATE INDICATED O-RINGS WITH SILICONE BASED GREASE.
- ② - TIGHTEN INDICATED BOLT AND SECURE WITH LOCK NUT.



SUPPLIED BY CUSTOMER
 v. Kunden gestellt



DIMENSIONS OF THE PIPE IN THE UNION
 Abmessungen des Rohres in der Einführung

OPERATING DATA / Betriebsdaten		
MEDIA/Medium	Water	Wasser
p max.	150 PSI	10 bar
n max.	100 RPM	100 1/min
t max.	250 °F	120 °C

		PROJECTION: 	SCALE: 1:1 MATERIAL: SIC / SIC
DATE: 02.09.2005 NAME: H.-J. Huhn		TITLE: DEUBLIN ROTATING UNION DEUBLIN Drehdurchführung	
DATE: 02.09.2005 NAME: P. Hennings		NO.: 2425-001-177-DD	
DATE: 28.08.06 NAME: Huhn		SHEET A2	
DATE: 06.14.2014 NAME: Huhn		GENERAL TOLERANCES: ISO 2768 - mK EDGES OF UNDEFINED SHAPE: ISO 13715	