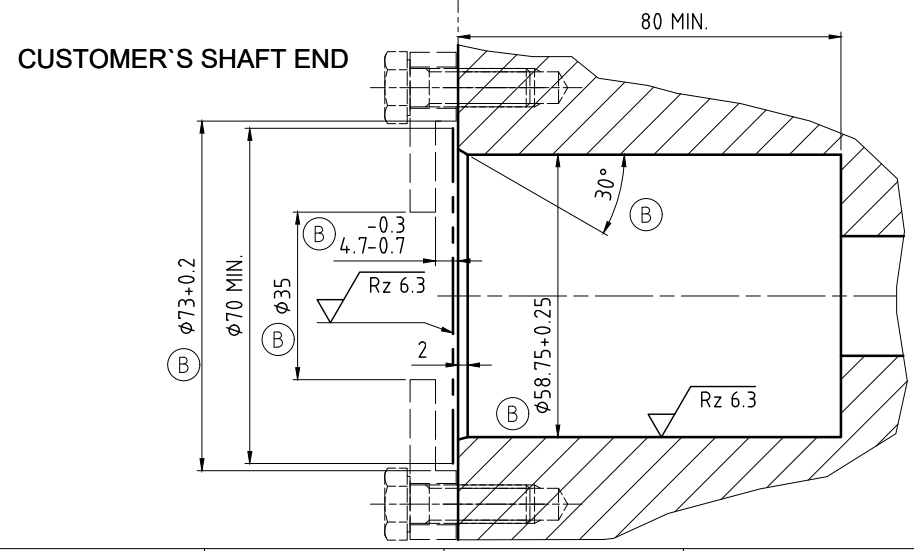
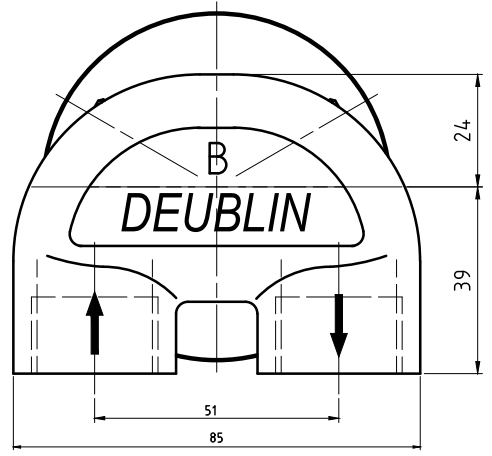
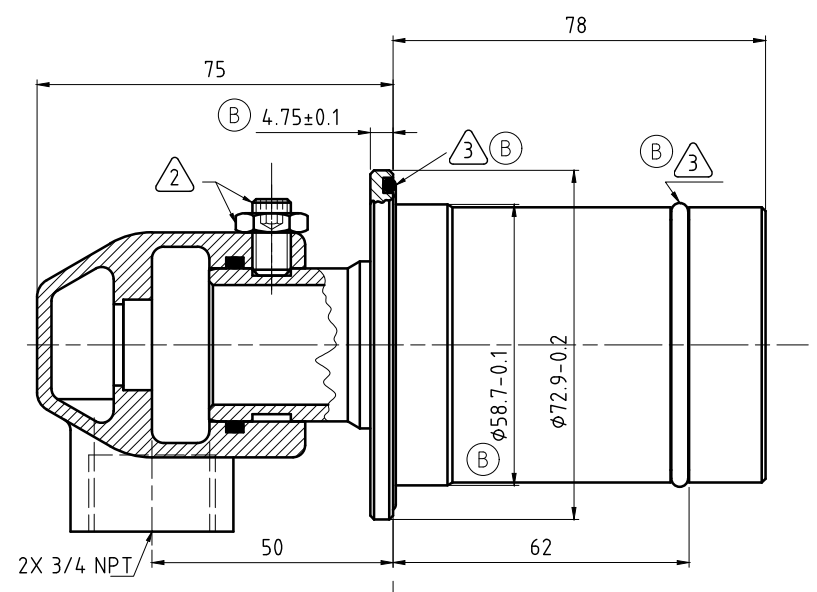


- NOTES:
- 1 - CONTACT DEUBLIN OR VISIT WWW.DEUBLIN.COM FOR INSTRUCTION MANUAL: 040-564
 - 2 - TIGHTEN INDICATED BOLTS AND SECURE WITH LOCK NUT.
 - 3 - LUBRICATE INDICATED O-RINGS WITH SILICONE BASED GREASE.

CONFIDENTIAL
 THIS DOCUMENT CONTAINS CONFIDENTIAL AND PROPRIETARY INFORMATION OF DEUBLIN COMPANY. COPYING, USE, TRANSMISSION, DISTRIBUTION, AND DISCLOSURE ARE SUBJECT TO THE TERMS AND CONDITIONS CONTAINED IN YOUR AGREEMENT WITH DEUBLIN COMPANY. ALL RIGHTS RESERVED.



OPERATING DATA	
MEDIA	WATER
PRESSURE MAX.	10 bar
SPEED MAX.	100 min ⁻¹
TEMPERATURE MAX.	120 °C
FLOW MAX.	53 l/min

		PROJECTION:	SCALE: 1:1	
			MATERIAL: INTERFACE CONTROL DRAWING	
		DATE	NAME	
		DRN. 10/08/07	NR	
		ENGR. 10/08/07	SS	
		APPD.		
		TITLE: DEUBLIN ROTATING UNION DEUBLIN Drehdurchführung		
		NO. 2024-001-283		
		SHEET A3		
B	UPDATE MS	04.0896	06.02.17	HS
A	REMOVED CHART	003389	10/09	NR
ISSUE	MODIFICATION	ECO	DATE	SIGN

UNLESS SPECIFICALLY TOLERANCED, ALL DIMENSIONS ARE CONSIDERED REFERENCE

- NOTES:
- 1 - LUBRICATE INDICATED O-RINGS WITH SILICONE BASED GREASE.
 - 2 - TIGHTEN INDICATED BOLTS AND TIGHTEN WITH LOCK NUT.
 - 3 - WHEN ORDERING FROM DEUBLIN USE PART NUMBER: 2425-001-283.

