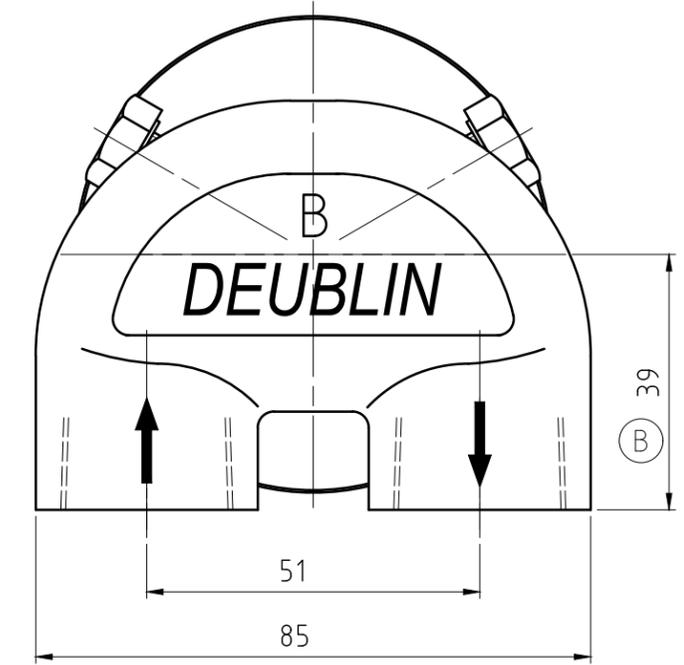
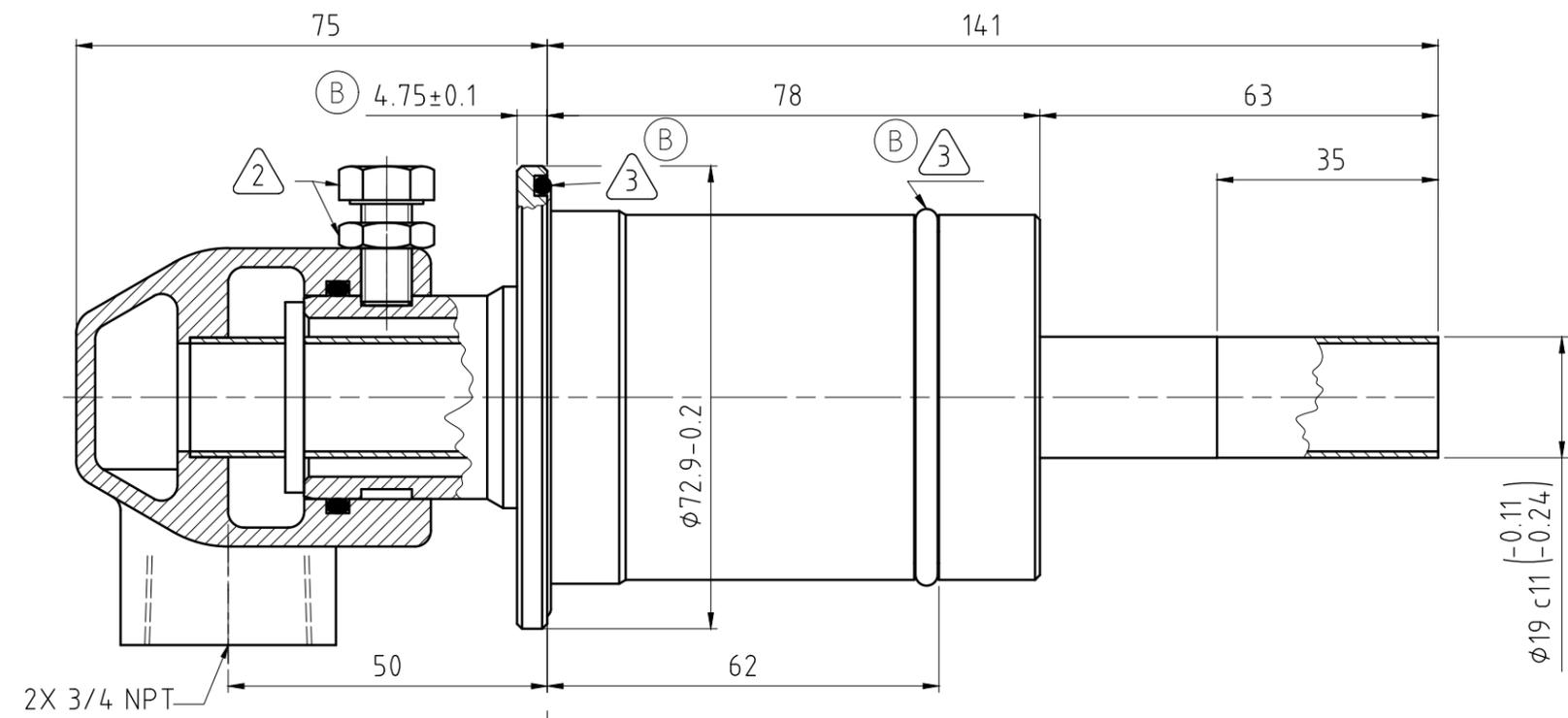


(B)

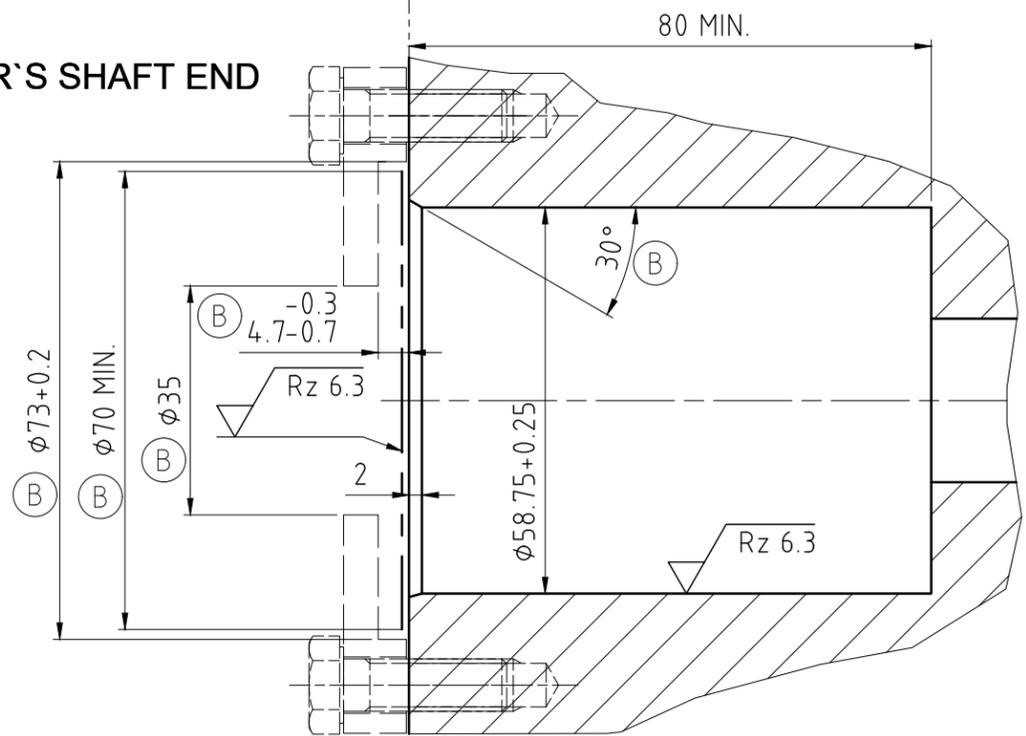
NOTES:

- 1 - CONTACT DEUBLIN OR VISIT WWW.DEUBLIN.COM FOR INSTRUCTION MANUAL: 040-564
- 2 - TIGHTEN INDICATED BOLTS AND SECURE WITH LOCK NUT.
- 3 - LUBRICATE INDICATED O-RINGS WITH SILICONE BASED GREASE.

CONFIDENTIAL
 THIS DOCUMENT CONTAINS CONFIDENTIAL AND PROPRIETARY INFORMATION OF DEUBLIN COMPANY. COPYING, USE, TRANSMISSION, DISTRIBUTION, AND DISCLOSURE ARE SUBJECT TO THE TERMS AND CONDITIONS CONTAINED IN YOUR AGREEMENT WITH DEUBLIN COMPANY. ALL RIGHTS RESERVED.



CUSTOMER'S SHAFT END



OPERATING DATA	
MEDIA	WATER
PRESSURE MAX.	10 bar
SPEED MAX.	100 min ⁻¹
TEMPERATURE MAX.	120 °C
FLOW MAX.	53 l/min

		PROJECTION:	SCALE: 1:1
		MATERIAL: INTERFACE CONTROL DRAWING	
		TITLE: DEUBLIN ROTATING UNION DEUBLIN Drehdurchführung	
		NO. 2425-001-283180	SHEET A3
B	UPDATE IMS	04089607.02.17	HS
A	REMOVED IMPERIAL DIMS	7585 08/06	MJ
ISSUE	MODIFICATION	ECO	DATE SIGN

UNLESS SPECIFICALLY TOLERANCED, ALL DIMENSIONS ARE CONSIDERED REFERENCE