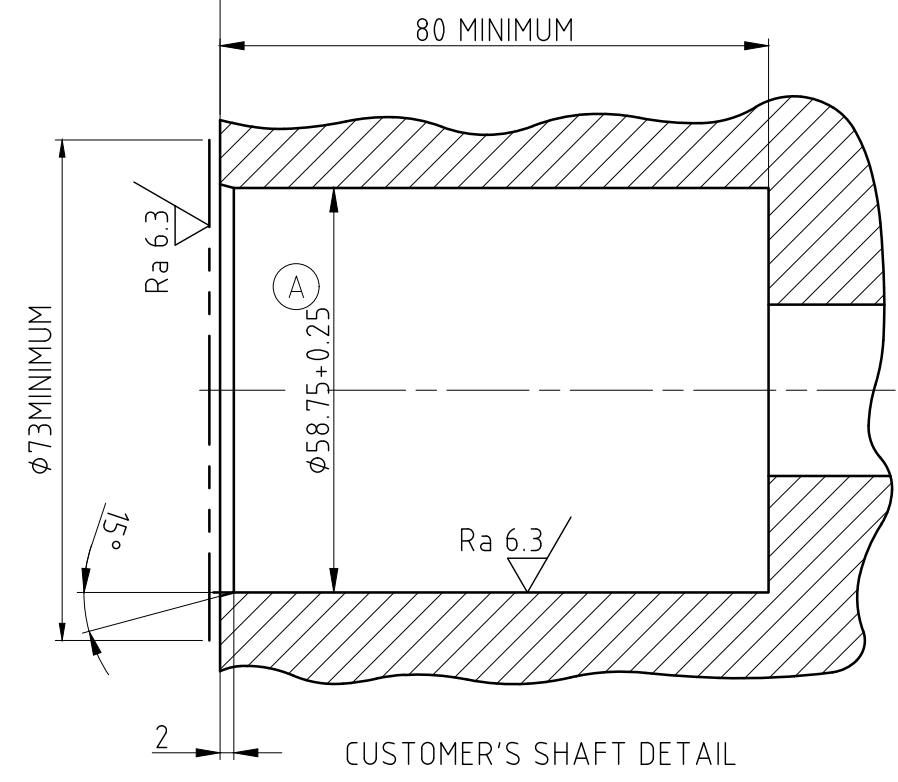
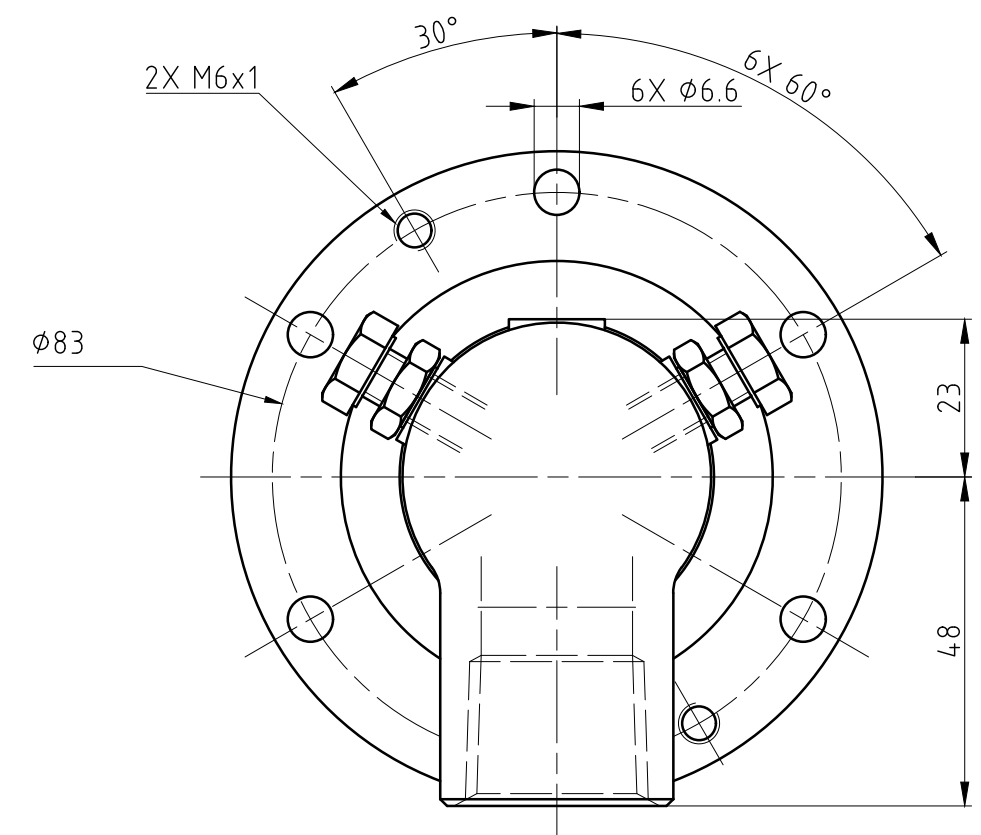
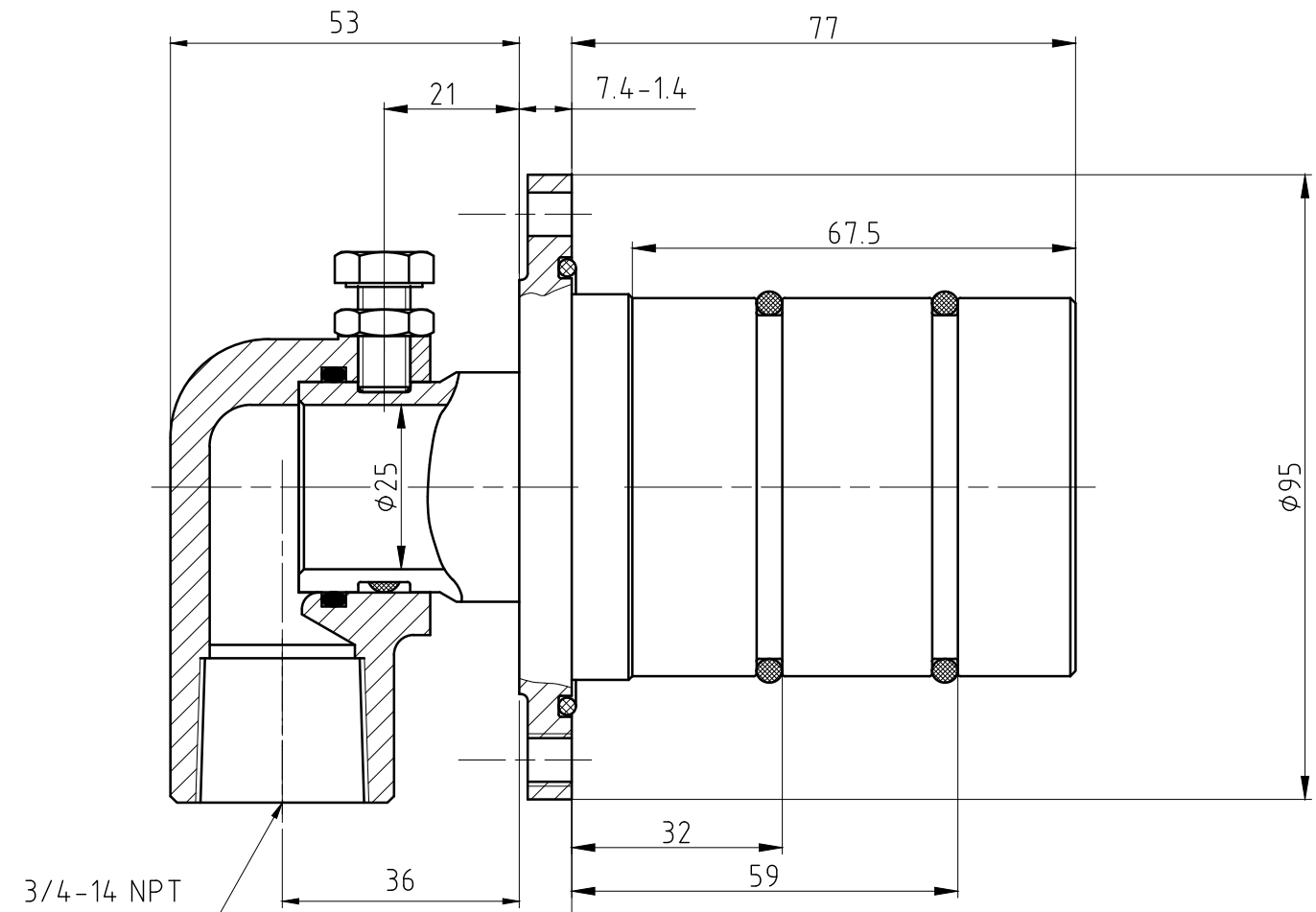


CONFIDENTIAL
 THIS DOCUMENT CONTAINS CONFIDENTIAL AND PROPRIETARY
 INFORMATION OF DEUBLIN COMPANY. COPYING, USE,
 TRANSMISSION, DISTRIBUTION, AND DISCLOSURE ARE SUBJECT
 TO THE TERMS AND CONDITIONS CONTAINED IN YOUR
 AGREEMENT WITH DEUBLIN COMPANY. ALL RIGHTS RESERVED.



OPERATING PARAMETERS		
MEDIA	WATER	
MAX. PRESSURE	150 PSI	10 bar
MAX. SPEED	100 RPM	100/min
MAX. TEMPERATURE	250 F	121 C
MAX. FLOW	14 GPM	53 L/min

<p>DEUBLIN COMPANY WAUKEGAN, ILLINOIS, U.S.A.</p>	PROJECTION:	SCALE: 1:1	MATERIAL: N/A				
	DATE: 03/27/2006	NAME: moorepa	TITLE: INTERFACE CONTROL DRAWING FOR UNION 2425-002-284				
	DRN.						
	ENGR.						
	APPD.						
B	REMOVED IMPERIAL DIMS	7585	08/06	MJ	UNLESS SPECIFICALLY TOLERANCED, ALL DIMENSIONS ARE CONSIDERED REFERENCE	NO. 2425-002-284-IC	SHEET A2
A	WAS φ58.75+0.25	EGR	05/06	RM			
ISSUE	MODIFICATION	ECO	DATE	SIGN			