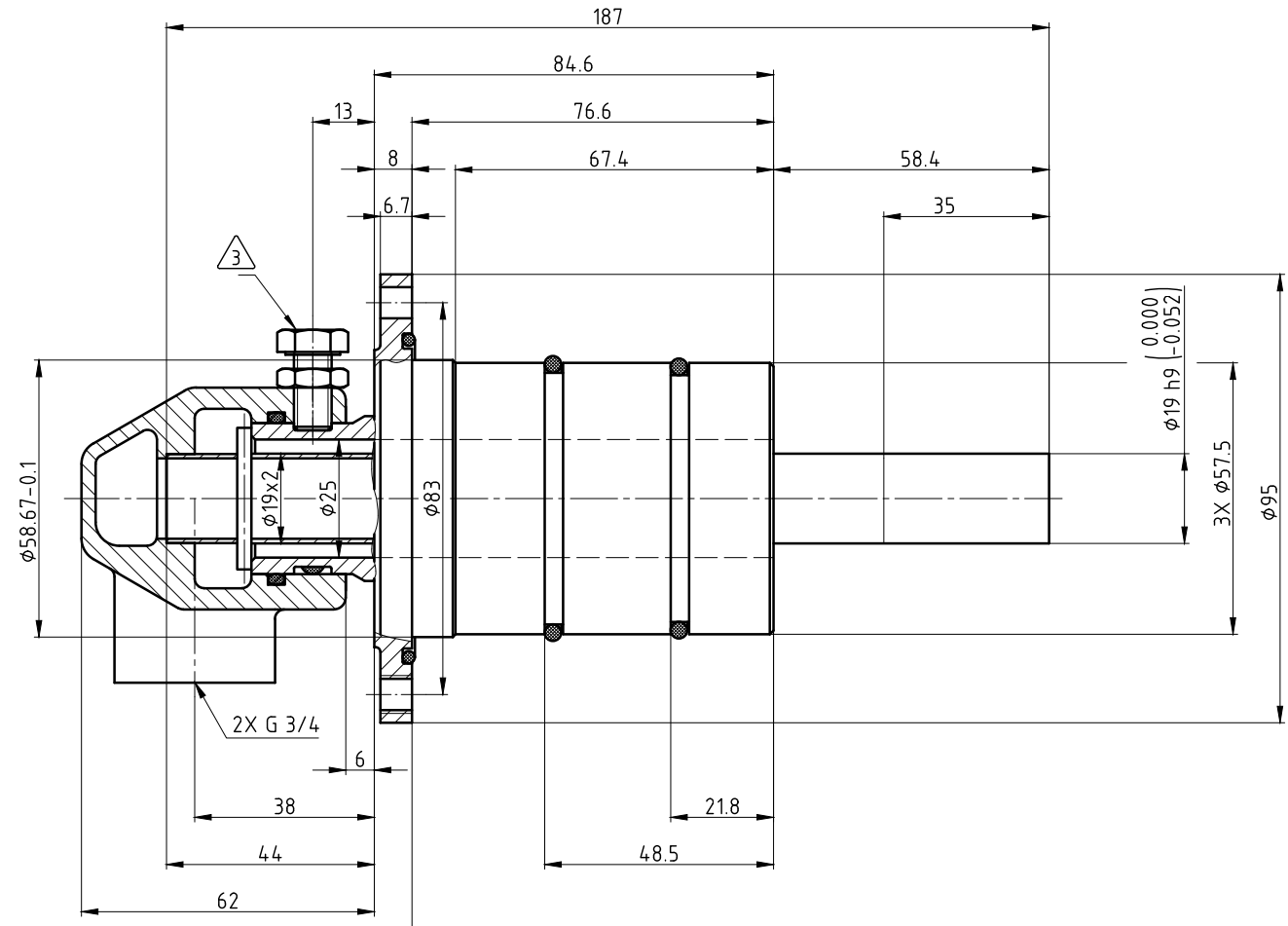


CONFIDENTIAL  
 THIS DOCUMENT CONTAINS CONFIDENTIAL AND PROPRIETARY  
 INFORMATION OF DEUBLIN COMPANY. COPYING, USE,  
 TRANSMISSION, DISTRIBUTION, AND DISCLOSURE ARE SUBJECT  
 TO THE TERMS AND CONDITIONS CONTAINED IN YOUR  
 AGREEMENT WITH DEUBLIN COMPANY. ALL RIGHTS RESERVED.

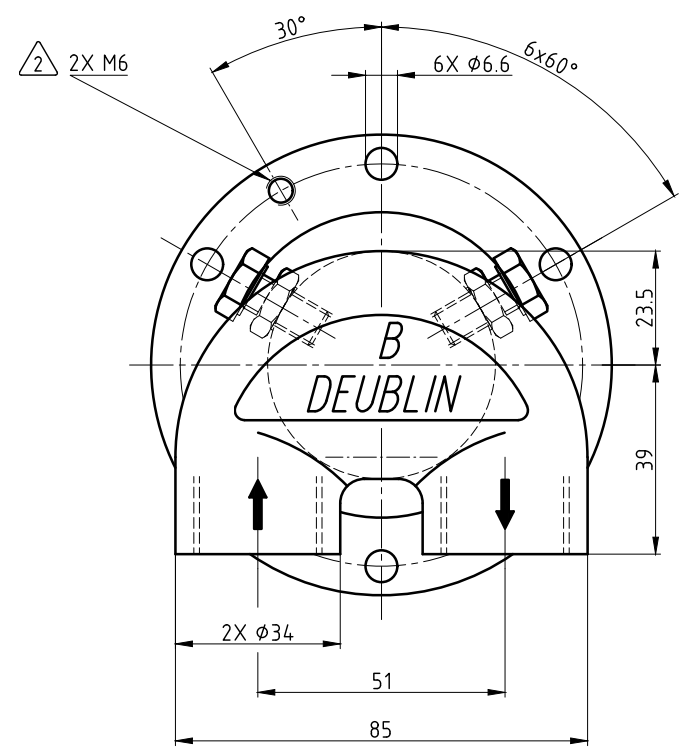
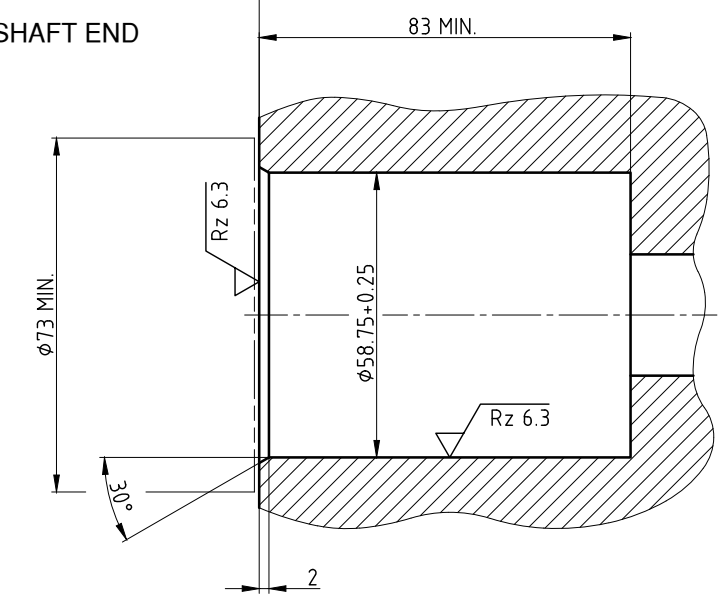
φ19	h9	<sup>0</sup> / <sub>-0.052</sub>	<sup>19.000</sup> / <sub>18.948</sub>
Maß	Passung		

NOTES:

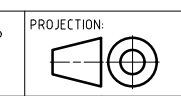
- 1 - CONTACT DEUBLIN OR VISIT WWW.DEUBLIN.COM  
FOR INSTRUCTION MANUAL: 040-564
- 2 - DISASSEMBLY THREAD M6
- 3 - FEATURE SHOWN ROTATED OUT OF POSITION FOR DRAWING CLARITY.



CUSTOMER'S SHAFT END



OPERATING DATA	
MEDIA	WATER
PRESSURE MAX.	10 bar
SPEED MAX.	100 min <sup>-1</sup>
TEMPERATURE MAX.	120 °C



PROJECTION: SCALE: 1:1  
 MATERIAL: INTERFACE CONTROL DRAWING

DATE	NAME
DRN. 28.07.2005	F. Dahl
ENGR. 28.07.2005	Ch. Wolf
APPD.	

TITLE: DEUBLIN ROTATING UNION  
 DEUBLIN Drehdurchführung

ISSUE	MODIFICATION	ECO	DATE	HS	SIGN
A	SEE ECO	037720	12.05.16		

NO. 2425-003-177494

SHEET  
A3