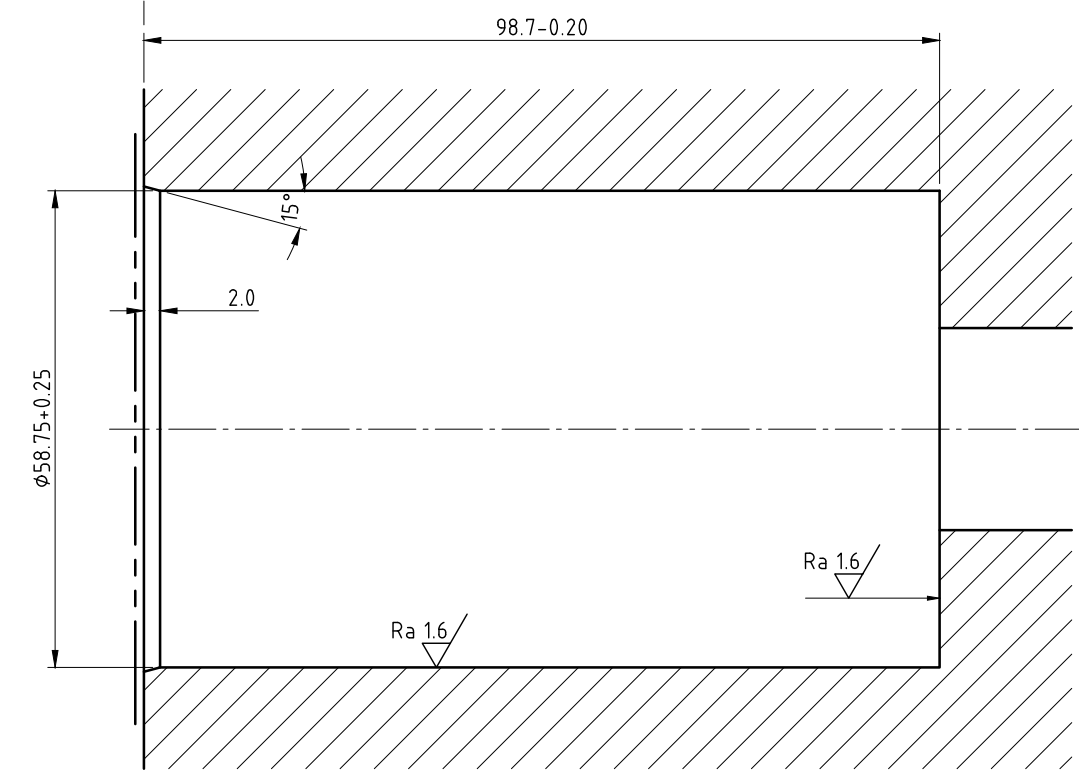
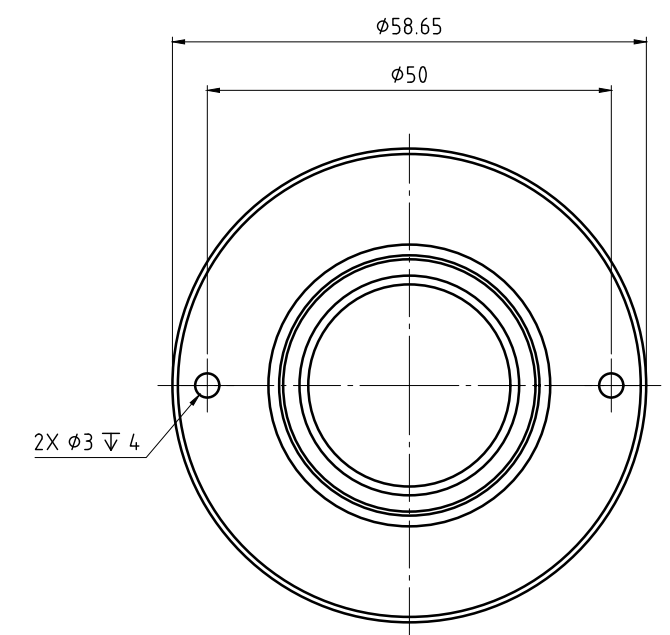
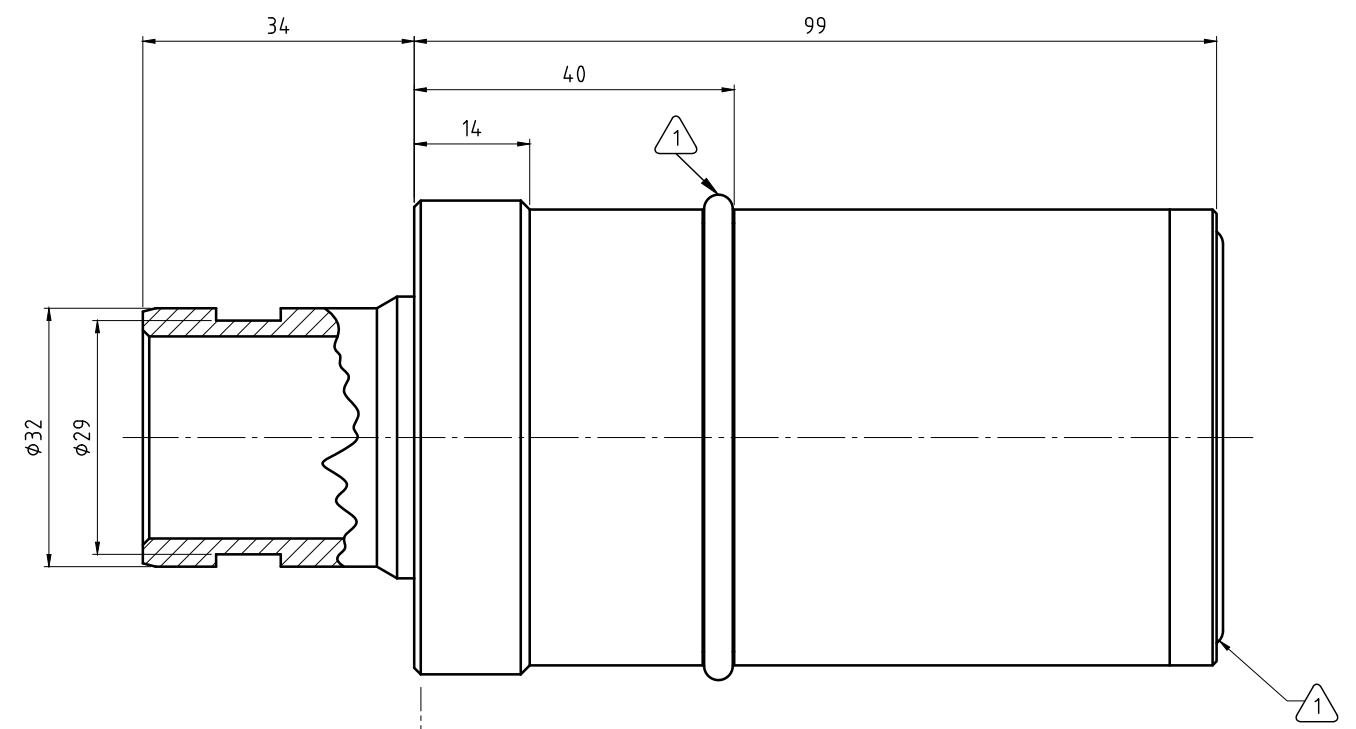


CONFIDENTIAL
 THIS DOCUMENT CONTAINS CONFIDENTIAL AND PROPRIETARY
 INFORMATION OF DEUBLIN COMPANY. COPYING, USE,
 TRANSMISSION, DISTRIBUTION, AND DISCLOSURE ARE SUBJECT
 TO THE TERMS AND CONDITIONS CONTAINED IN YOUR
 AGREEMENT WITH DEUBLIN COMPANY. ALL RIGHTS RESERVED.

NOTES:

- 1 - LUBRICATE INDICATED O-RINGS WITH SILICONE BASED GREASE.
- 2 - WHEN ORDERING FROM DEUBLIN USE PART NUMBER: 2425-004-000



OPERATING PARAMETERS		
MEDIA	WATER	
MAX. PRESSURE	150 PSI	10 bar
MAX. SPEED	100 RPM	100/min
MAX. TEMPERATURE	250 F	121 C
MAX. FLOW	14 GPM	53 L/min

 DEUBLIN COMPANY WAUKEGAN, ILLINOIS, U.S.A.	PROJECTION: 	SCALE: 1.6667:1 MATERIAL:
	DATE: 04/24/07 NAME: RM ENGR: 04/24/07 ARS APPD.	TITLE: INTERFACE CONTROL DRAWING FOR UNION 2425-004-000
ISSUE MODIFICATION ECO DATE SIGN	NO. 2425-004-000-IC	SHEET A2

UNLESS SPECIFICALLY TOLERANCED, ALL DIMENSIONS ARE CONSIDERED REFERENCE