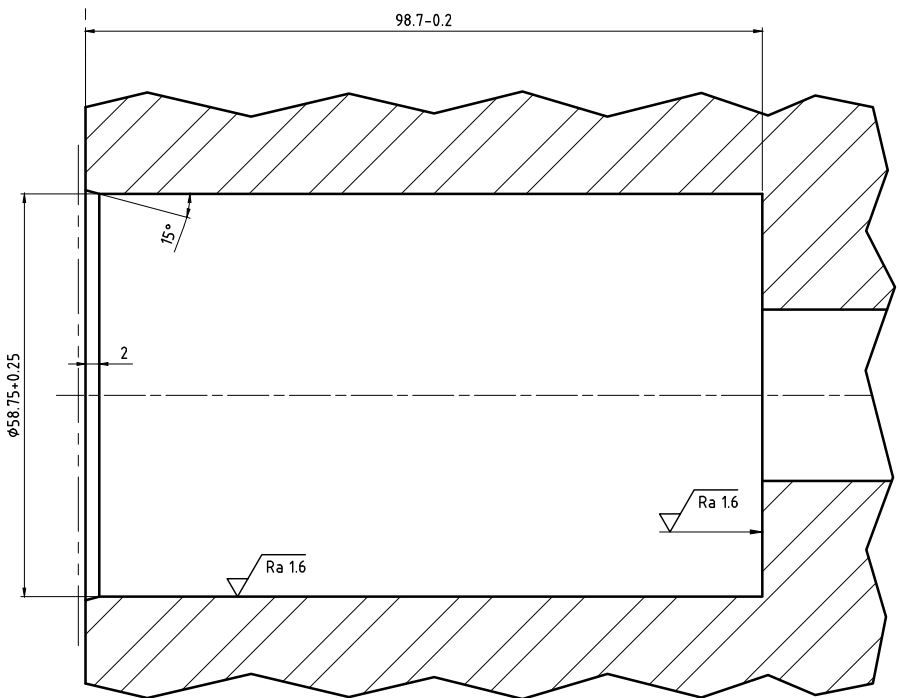
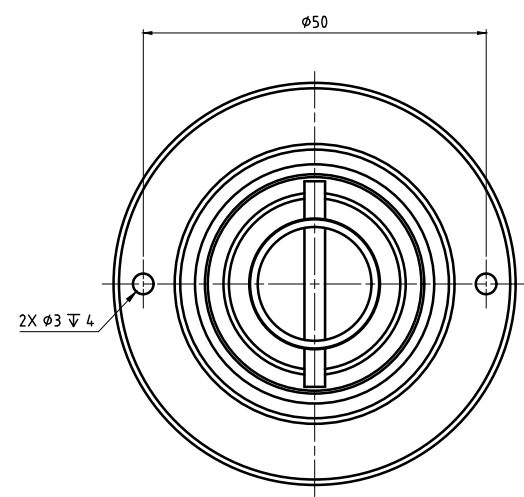
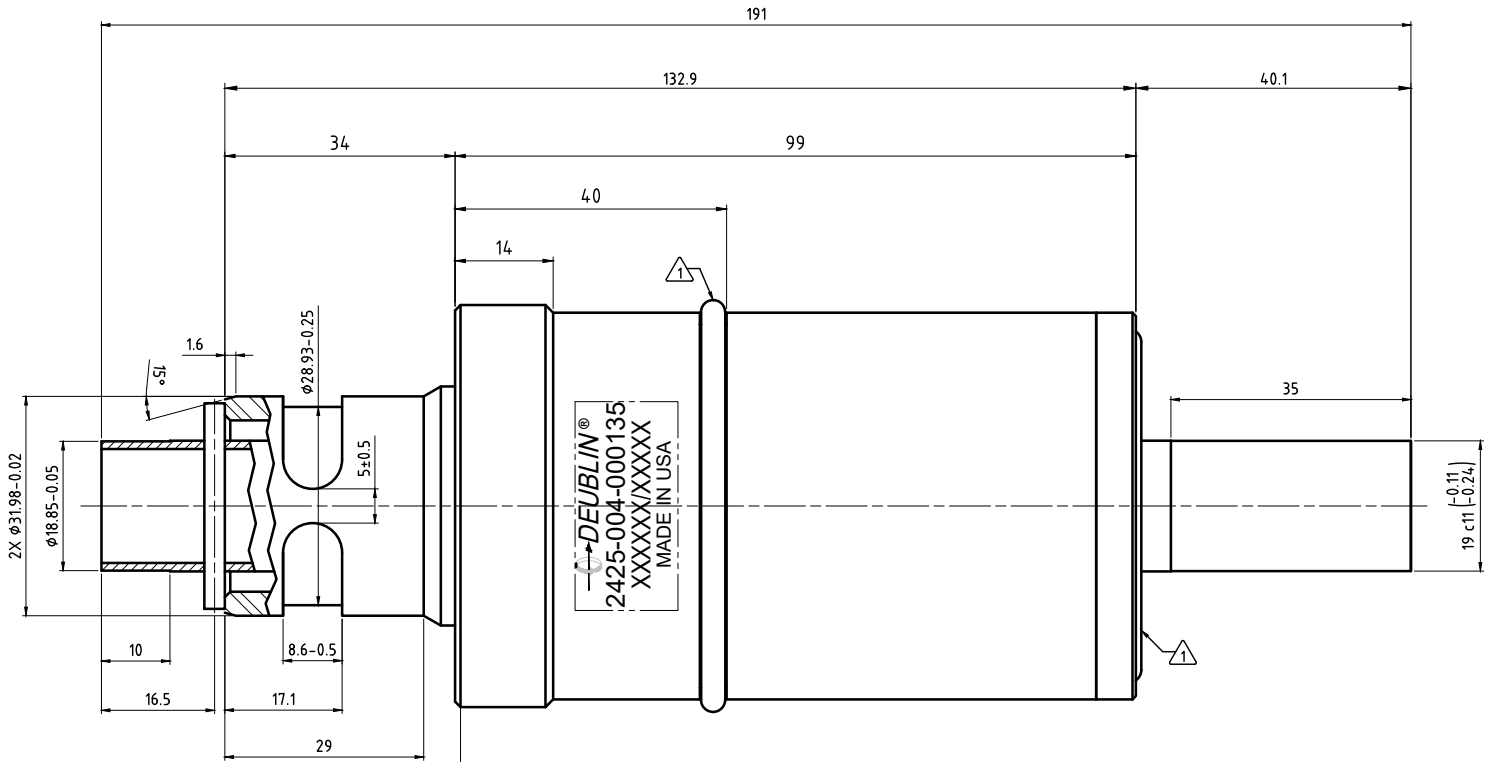
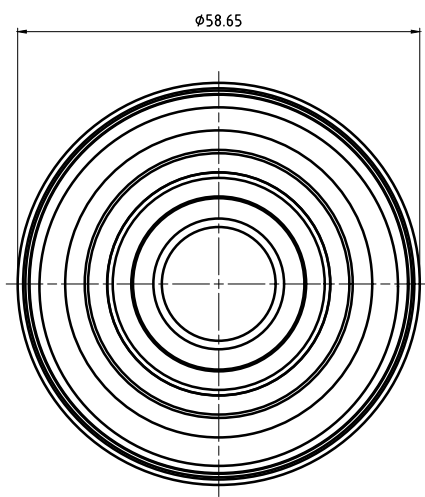


CONFIDENTIAL  
 THIS DOCUMENT CONTAINS CONFIDENTIAL AND PROPRIETARY INFORMATION OF DEUBLIN COMPANY. COMPANY, USER, AND TO THE TERMS AND CONDITIONS CONTAINED IN YOUR AGREEMENT WITH DEUBLIN COMPANY. ALL RIGHTS RESERVED.

NOTES:  
 1 - LUBRICATE INDICATED O-RINGS WITH SILICONE BASED GREASE..



OPERATING PARAMETERS		
MEDIA	WATER	
MAX. PRESSURE	150 PSI	10 bar
MAX. SPEED	100 RPM	100/min
MAX. TEMPERATURE	250 F	121 C
MAX. FLOW	14 GPM	53 L/min

	PROJECTION:	SCALE: 2:1		MATERIAL:	INTERFACE CONTROL DRAWING
	DATE:	NAME:		TITLE:	DEUBLIN UNION
DRN:	01/22/19	N. Reyna	ENGR:	01/22/19	T. Wilson
APPD:					
UNLESS SPECIFICALLY TOLERANCED, ALL DIMENSIONS ARE CONSIDERED REFERENCE					NO. 2425-004-000135
ISSUE/	MODIFICATION	ECO	DATE	SIGN	SHEET A1