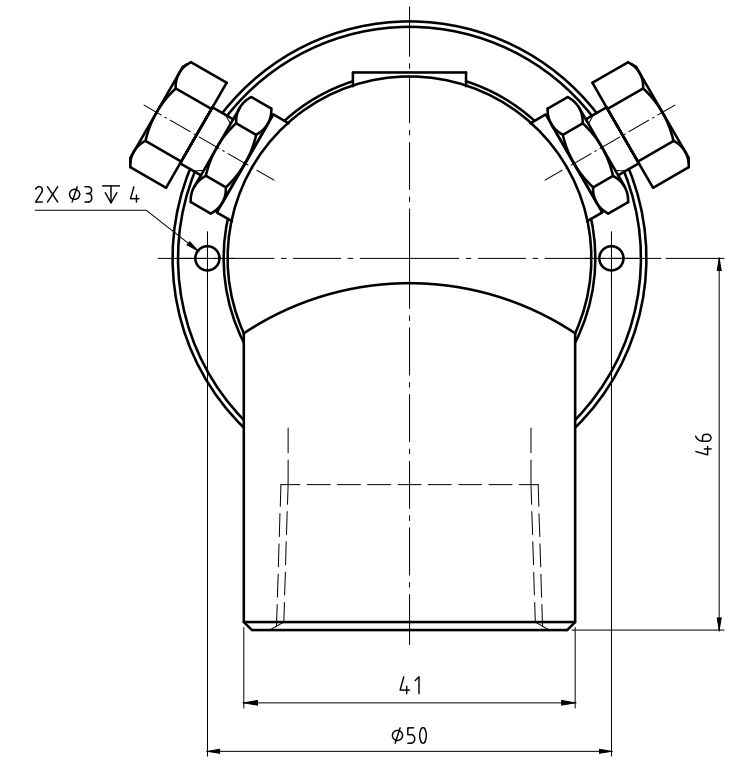
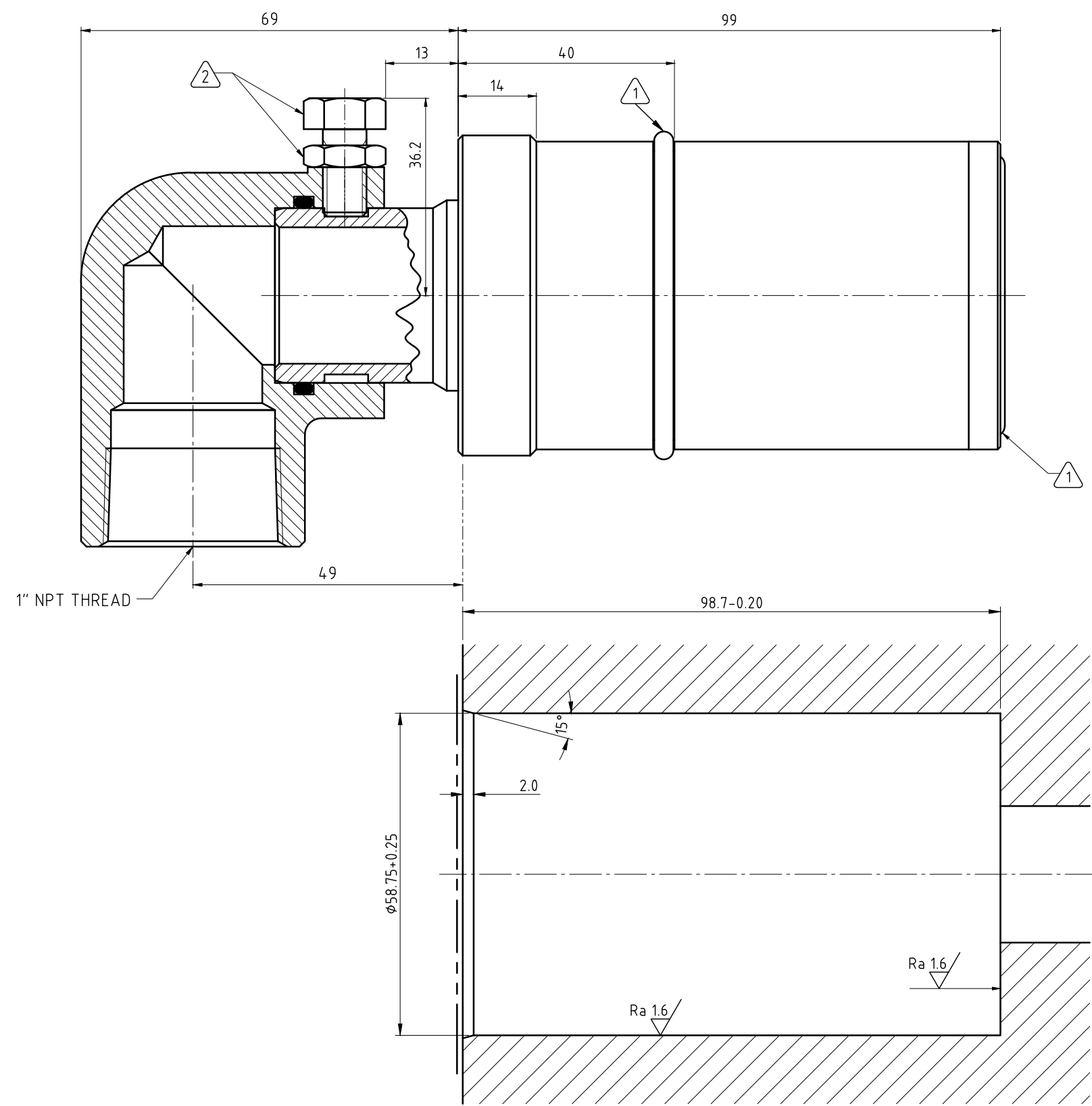


CONFIDENTIAL  
 THIS DOCUMENT CONTAINS CONFIDENTIAL AND PROPRIETARY  
 INFORMATION OF DEUBLIN COMPANY. COPYING, USE,  
 TRANSMISSION, DISTRIBUTION, AND DISCLOSURE ARE SUBJECT  
 TO THE TERMS AND CONDITIONS CONTAINED IN YOUR  
 AGREEMENT WITH DEUBLIN COMPANY. ALL RIGHTS RESERVED.

NOTES:

- 1 - LUBRICATE INDICATED O-RINGS WITH SILICONE BASED GREASE.
- 2 - WHEN ORDERING FROM DEUBLIN USE PART NUMBER: 2425-004-281



OPERATING PARAMETERS	
MEDIA	WATER
MAX. PRESSURE	10 bar
MAX. SPEED	100/min
MAX. TEMPERATURE	121 C
MAX. FLOW	53 L/min

 DEUBLIN COMPANY WAUKEGAN, ILLINOIS, U.S.A.	PROJECTION: 	SCALE: 1.6667:1 MATERIAL:							
	<table border="1"> <thead> <tr> <th>DATE</th> <th>NAME</th> </tr> </thead> <tbody> <tr> <td>DRN. 06/08/07</td> <td>JK</td> </tr> <tr> <td>ENGR. 06/08/07</td> <td>AL</td> </tr> <tr> <td>APPD.</td> <td></td> </tr> </tbody> </table>	DATE	NAME	DRN. 06/08/07	JK	ENGR. 06/08/07	AL	APPD.	
DATE	NAME								
DRN. 06/08/07	JK								
ENGR. 06/08/07	AL								
APPD.									
UNLESS SPECIFICALLY TOLERANCED, ALL DIMENSIONS ARE CONSIDERED REFERENCE		NO. <b>2425-004-281-IC</b>							
ISSUE MODIFICATION ECO DATE SIGN		SHEET A2							