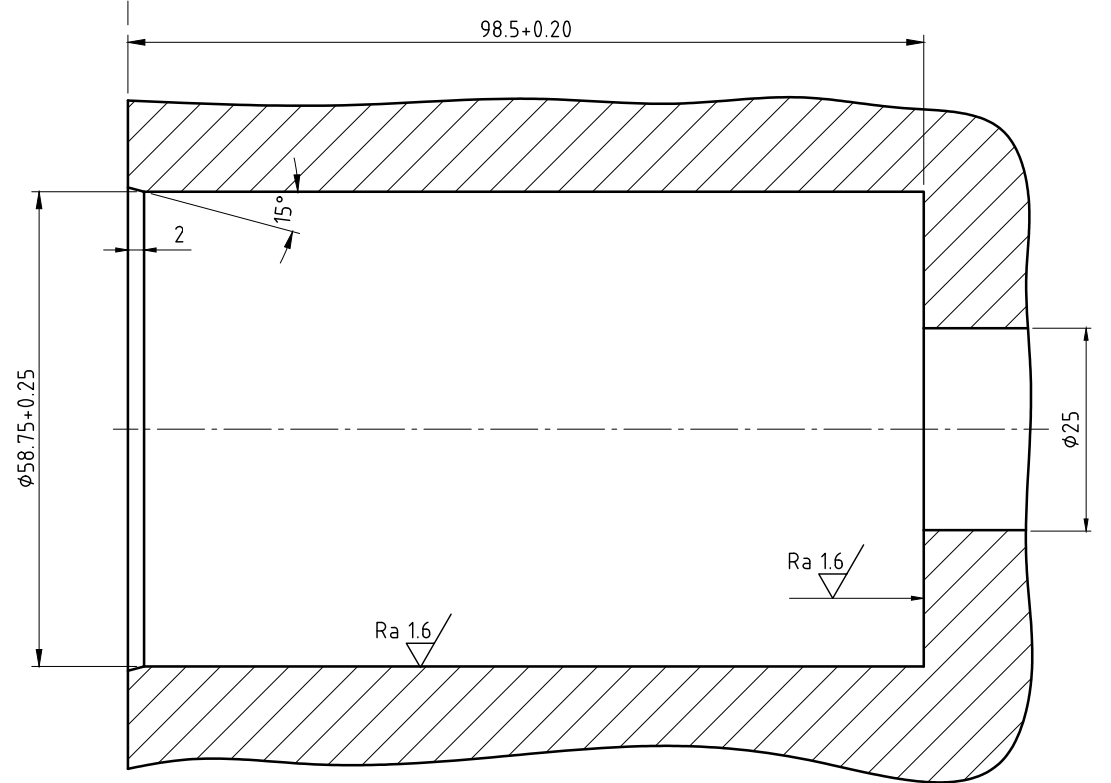
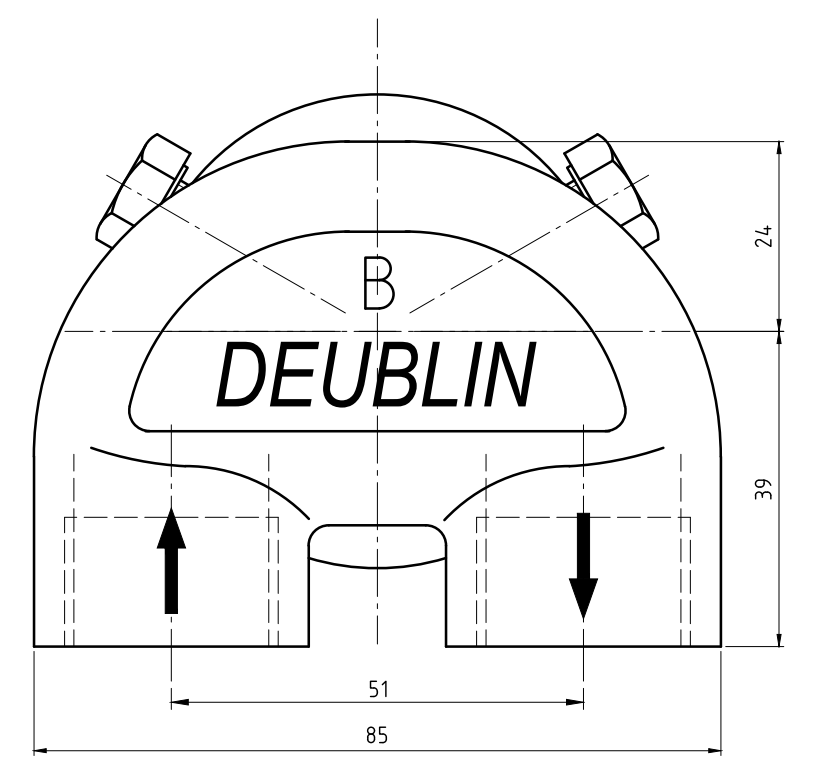
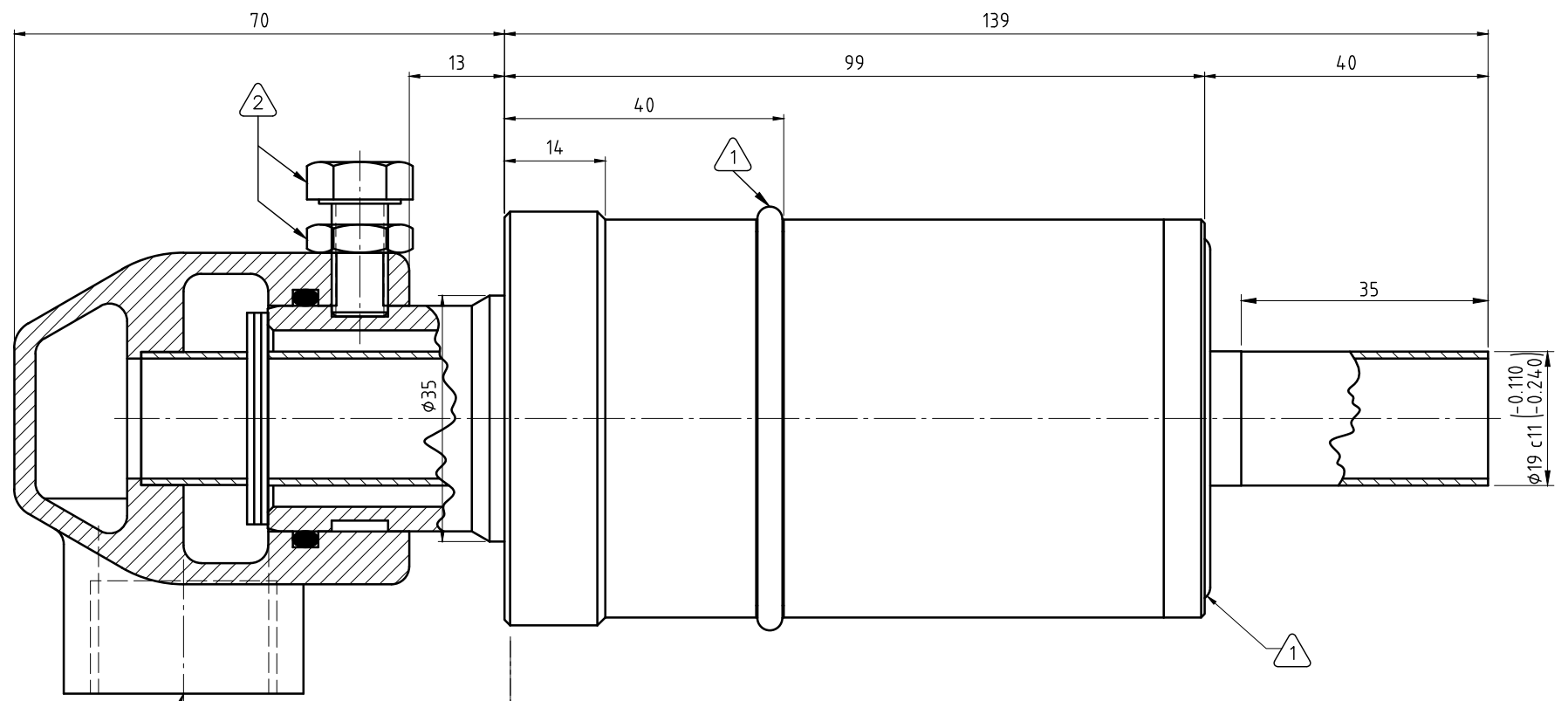


CONFIDENTIAL
 THIS DOCUMENT CONTAINS CONFIDENTIAL AND PROPRIETARY INFORMATION OF DEUBLIN COMPANY. COPYING, USE, TRANSMISSION, DISTRIBUTION, AND DISCLOSURE ARE SUBJECT TO THE TERMS AND CONDITIONS CONTAINED IN YOUR AGREEMENT WITH DEUBLIN COMPANY. ALL RIGHTS RESERVED.

Ø19	c11	-0.110	18.890
		-0.240	18.760
Dimen.	Fit		

NOTES:
 1 - LUBRICATE INDICATED O-RINGS WITH SILICONE BASED GREASE.
 2 - TIGHTEN INDICATED BOLT AND SECURE WITH LOCK NUT.
 3 - WHEN ORDERING FROM DEUBLIN USE PART NUMBER: 24-25-004-283-135



OPERATING DATA	
MEDIA	WATER
MAX. PRESSURE	10 bar
MAX. SPEED	100/min
MAX. TEMPERATURE	120°C
MAX. FLOW	53 L/min

 DEUBLIN COMPANY WAUKEGAN, ILLINOIS, U.S.A.	PROJECTION: 	SCALE: 1.6667:1 MATERIAL:
	DATE: 04/01/2008 NAME: AL ENGR. 04/01/2008 AL APPD.	TITLE: DEUBLIN UNION INTERFACE CONTROL DRAWING
NONE INITIAL RELEASE 001429 04/08 AL DATE SIGN	UNLESS SPECIFICALLY TOLERANCED, ALL DIMENSIONS ARE CONSIDERED REFERENCE	NO. 2425-004-283135

SHEET
A2