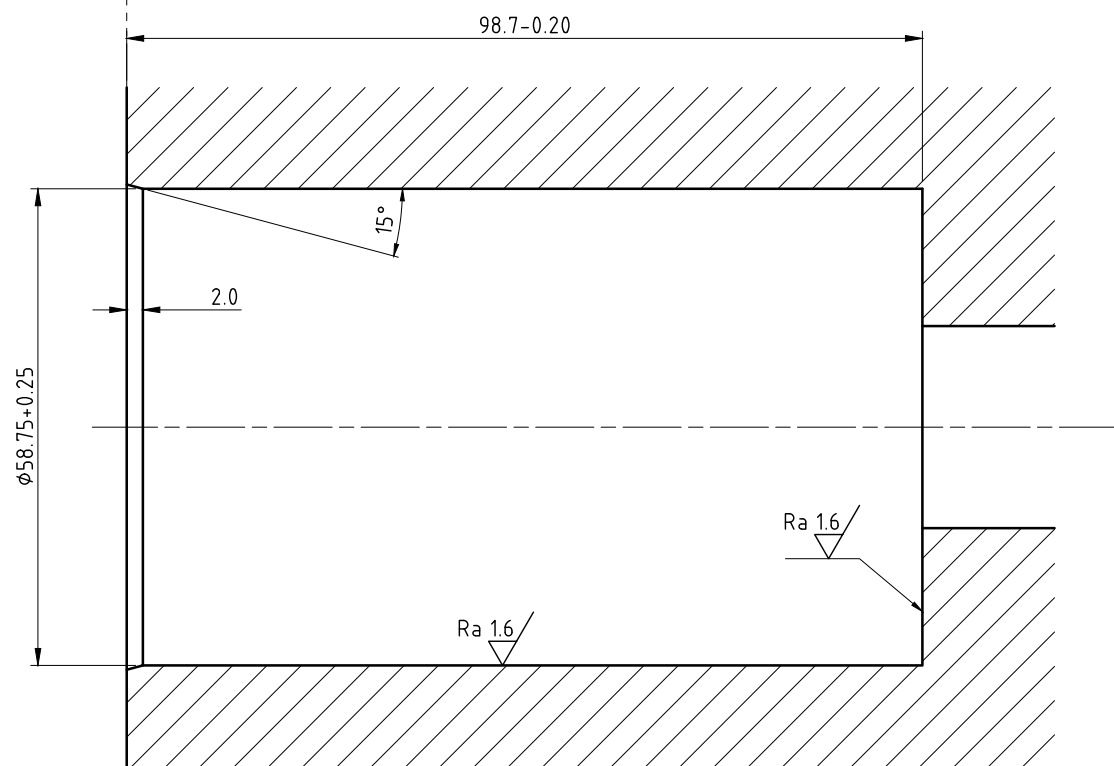
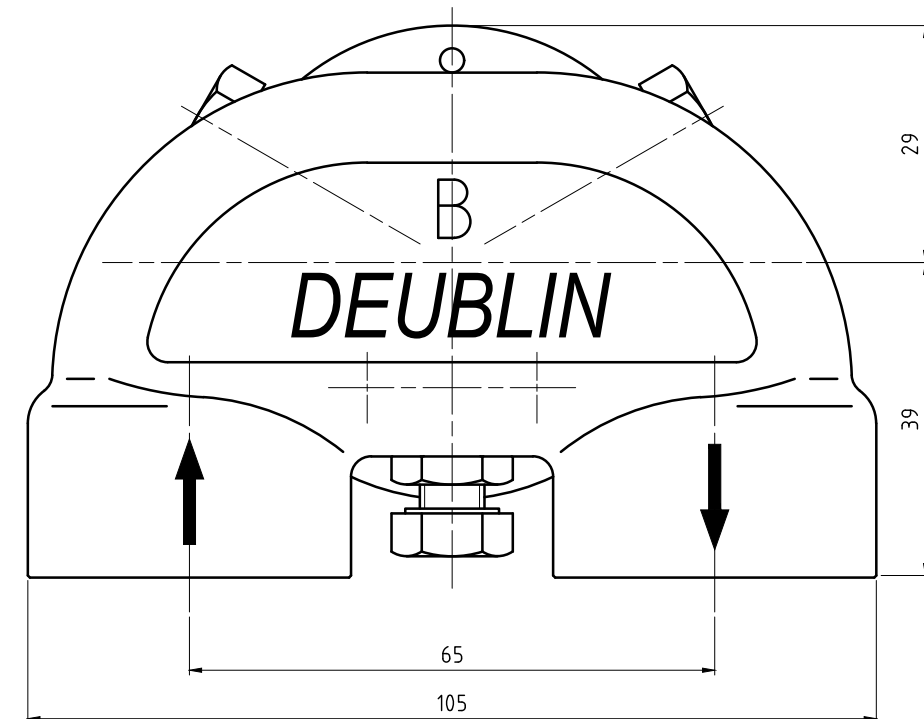
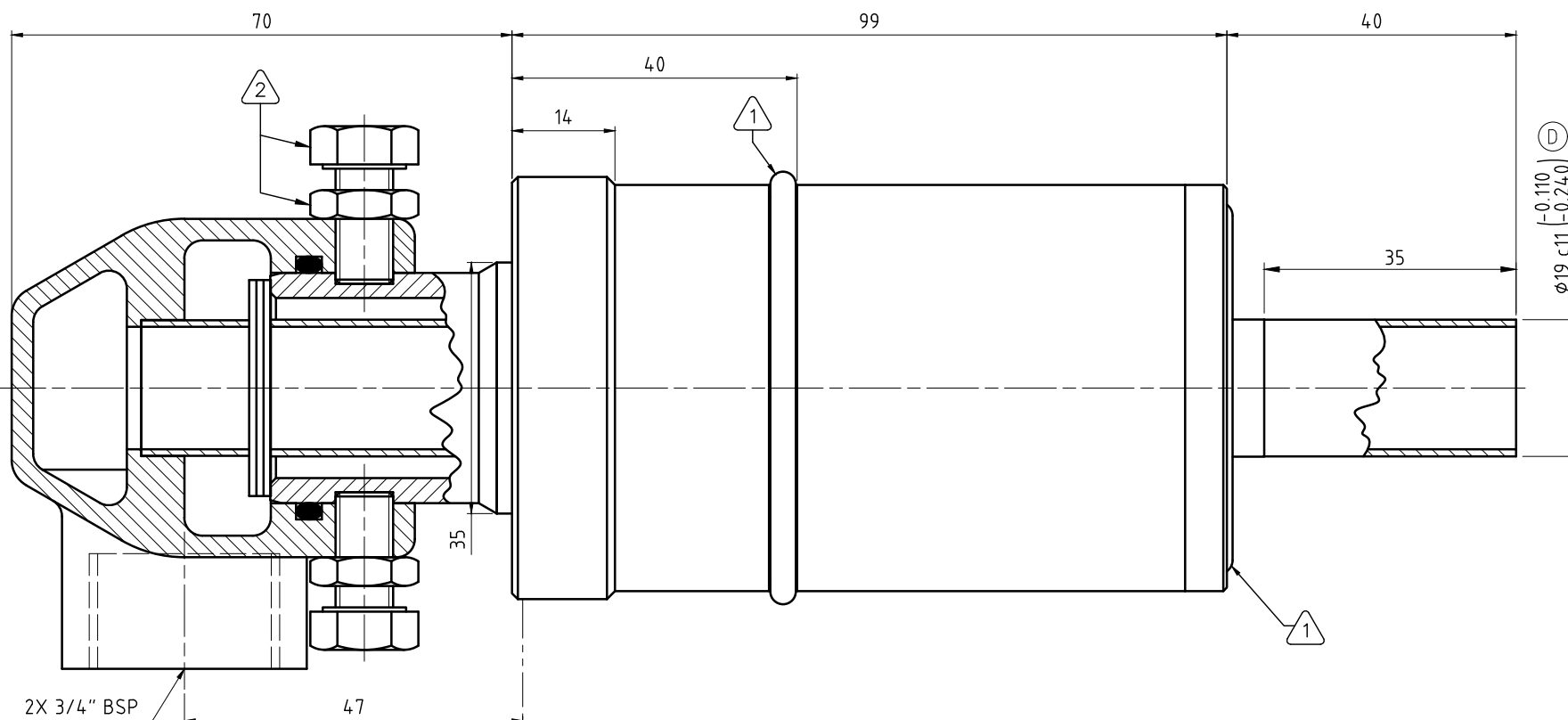


NOTES:

- ① - LUBRICATE INDICATED O-RINGS WITH SILICONE BASED GREASE.
- ② - TIGHTEN INDICATED BOLTS AND SECURE WITH LOCK NUT.



OPERATING PARAMETERS		
MEDIA	WATER	
MAX. PRESSURE	150 PSI	10 bar
MAX. SPEED	100 RPM	100/min
MAX. TEMPERATURE	250 F	121 C
MAX. FLOW	14 GPM	53 L/min



SCALE: 1.6667:1  
 MATERIAL: INTERFACE CONTROL DRAWING

ISSUE	MODIFICATION	ECO	DATE	SIGN	DRN.	DATE	NAME
D	REVISED DIMENSION	021789	04/13	NR	ENGR.	12/07/05	RM
C	REMOVED IMPERIAL DIMS	7585	08/06	MJ	APPD.	12/07/05	SF
B	WAS #8.75-4.25	EGR	05/06	RM			
A	ADDED PLUG	7296	05/01/06	RM			

TITLE: DEUBLIN UNION  
 NO. 2425-004-436135  
 SHEET A2

UNLESS SPECIFICALLY TOLERANCED, ALL DIMENSIONS ARE CONSIDERED REFERENCE