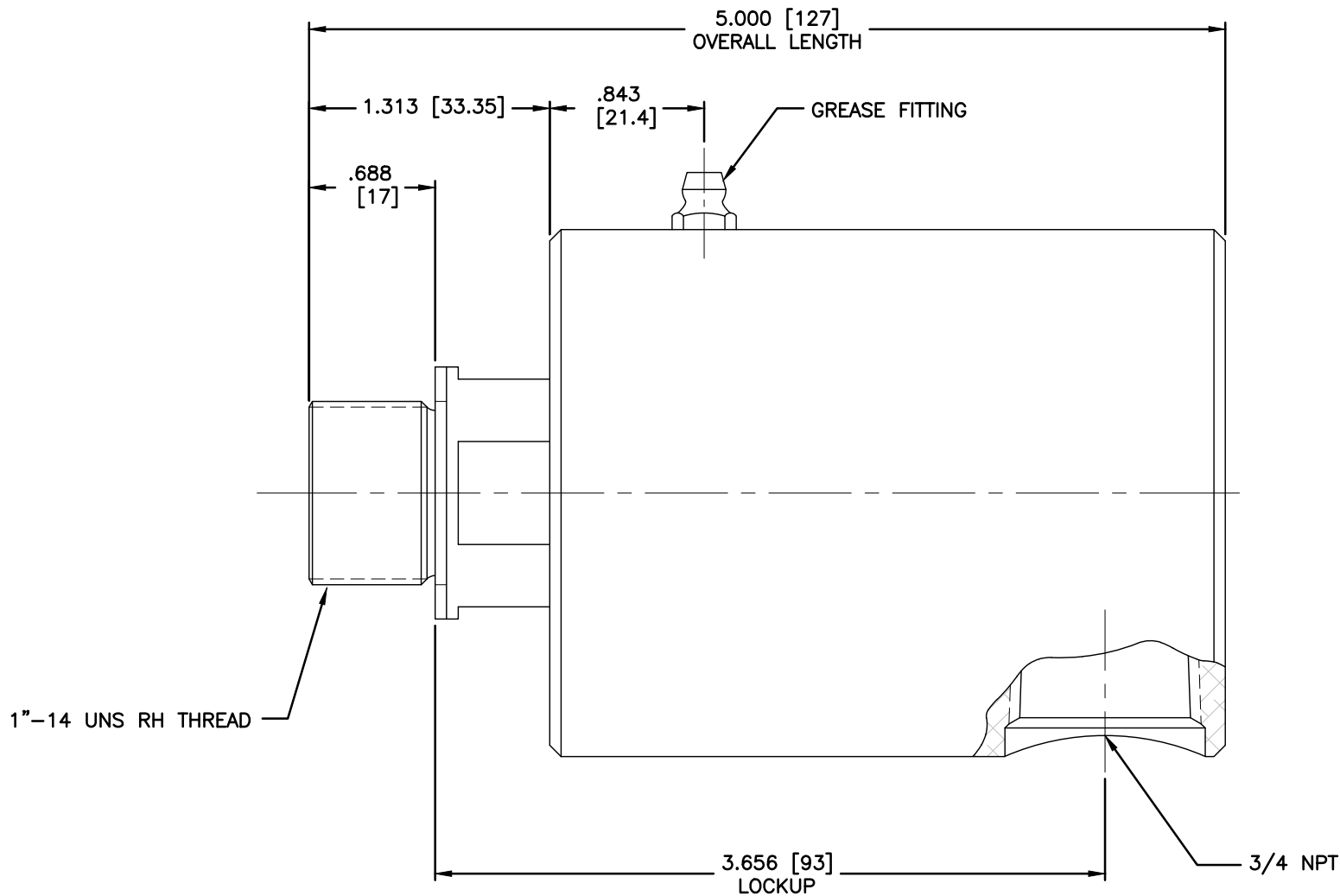
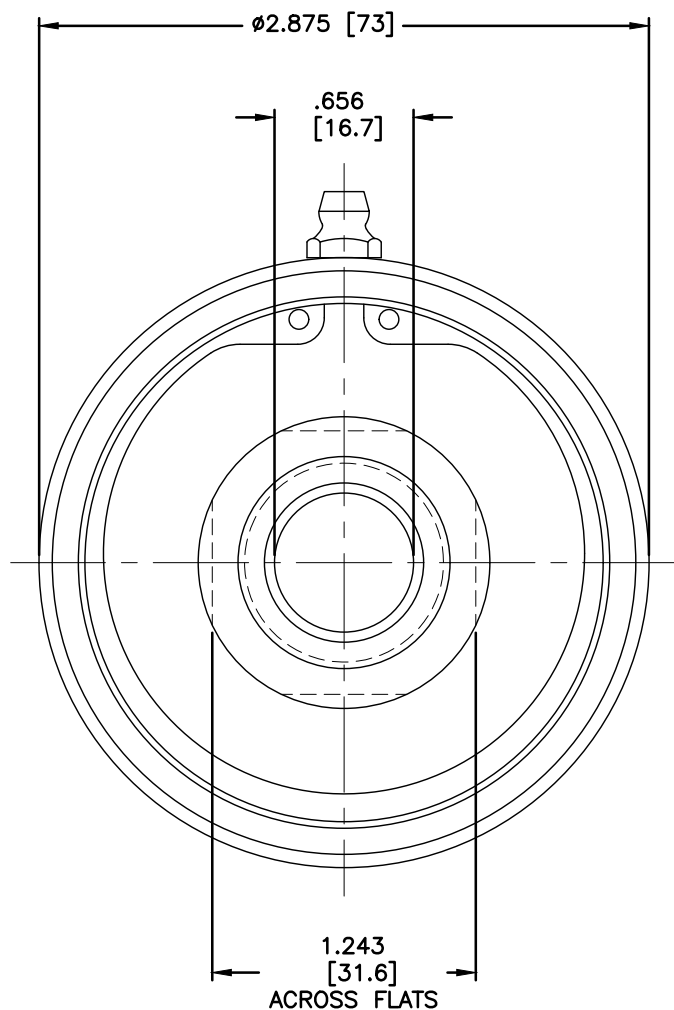


NOTES:

1 - WHEN ORDERING UNION FROM DEUBLIN COMPANY, USE PART NUMBER 250-094-002.



OPERATING DATA:  
 AIR-VACUUM-HYDRAULIC SERVICE  
 150 P.S.I. (10 bar) MAX. AIR SERVICE  
 28" Hg (6,7 KPa) MAX. VACUUM SERVICE  
 1000 P.S.I. (68,9bar) MAX. HYDRAULIC SERVICE  
 3500 R.P.M. (3500/MIN) MAX. SPEED  
 250°F. (121°C.) MAX. TEMPATURE

CONFIDENTIAL  
 THIS DOCUMENT CONTAINS PROPRIETARY INFORMATION  
 AND IS NOT TO BE TRANSMITTED, REPRODUCED, USED  
 OR DISCLOSED TO ANYONE WITHOUT THE WRITTEN PER-  
 MISSION OF THE DEUBLIN COMPANY.

EQUIPMENT REF:  ASSY/TEST FIXTURES REQUIRED:				SCALE	1.66:1	DWG SIZE	C	DEUBLIN COMPANY WAUKEGAN, ILLINOIS, U.S.A.
				DRN	RM	DATE	06/13/02	
				ENGR		APPD		
				UNLESS OTHERWISE SPECIFIED TOLERANCES $\pm .010$ . DIMENSIONS IN [ ] ARE IN MILLIMETERS.				
LET.	REVISION	ECO	DATE	SIGN	TITLE: INTERFACE CONTROL DRAWING FOR UNION 250-094-002 NO. 250-094-002-IC <span style="float: right; font-size: x-small;">C.A.D DRAWING</span>			