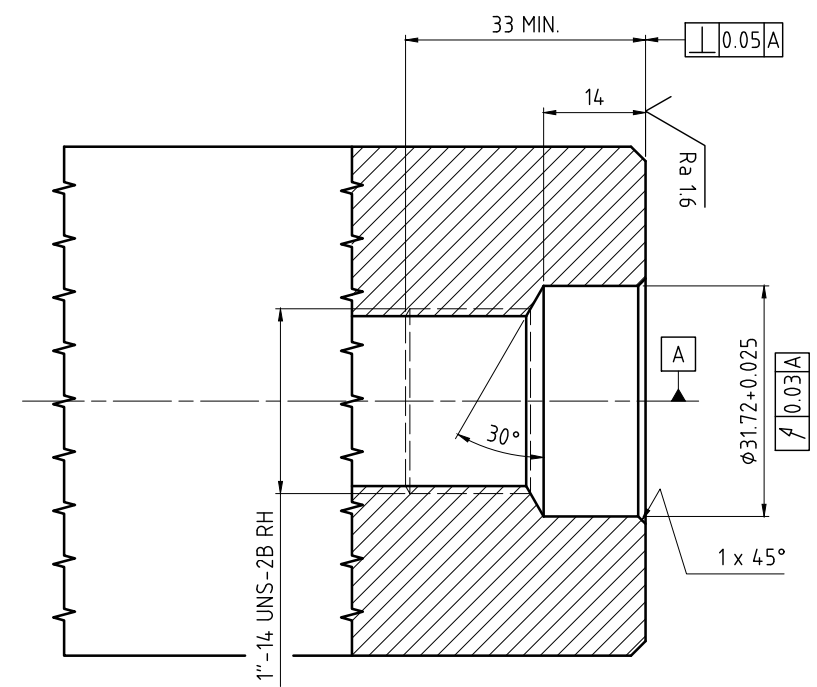
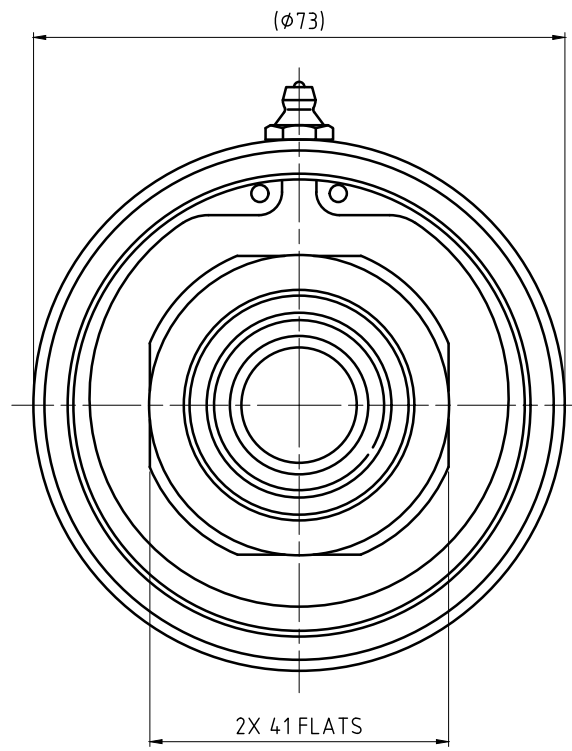
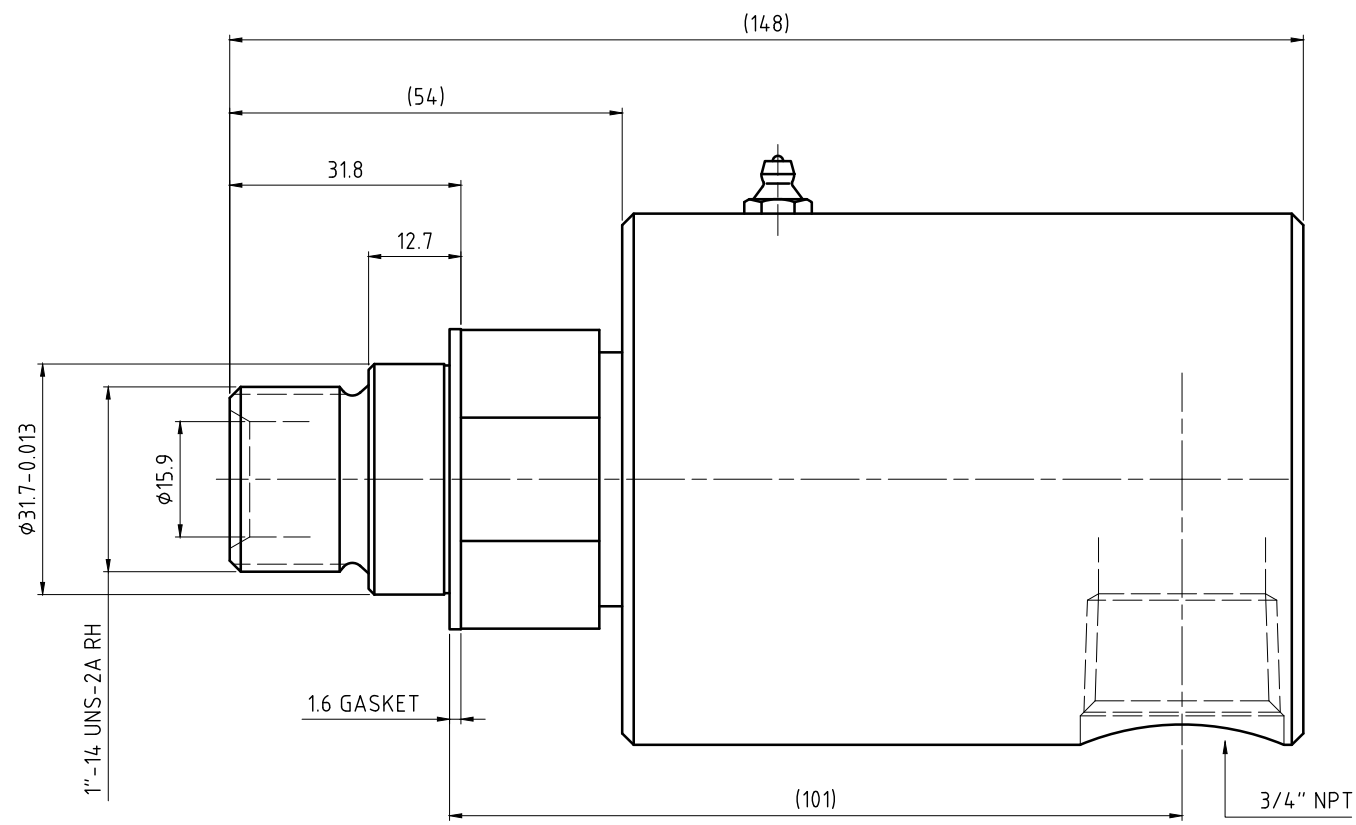


CONFIDENTIAL
 THIS DOCUMENT CONTAINS CONFIDENTIAL AND PROPRIETARY
 INFORMATION OF DEUBLIN COMPANY. COPYING, USE,
 TRANSMISSION, DISTRIBUTION, AND DISCLOSURE ARE SUBJECT
 TO THE TERMS AND CONDITIONS CONTAINED IN YOUR
 AGREEMENT WITH DEUBLIN COMPANY. ALL RIGHTS RESERVED.



TYPICAL MOUNTING DETAIL

OPERATING DATA			
MEDIA	AIR	HYDRAULIC	VACUUM
MAX. PRESSURE	10 bar	70 bar	
MAX. VACUUM			6.7 KPa
MAX. SPEED	3500/min		
MAX. MEDIA TEMPERATURE	120°C		

		PROJECTION:	SCALE: 1.5:1
		DATE: 03/05/12	MATERIAL:
		NAME: GA	TITLE: INTERFACE CONTROL DRAWING
			DEUBLIN UNION 250-094-016
			NO. 250-094-016
			SHEET A2
ISSUE	MODIFICATION	ECO	DATE
			SIGN

UNLESS SPECIFICALLY TOLERANCED, ALL DIMENSIONS ARE CONSIDERED REFERENCE