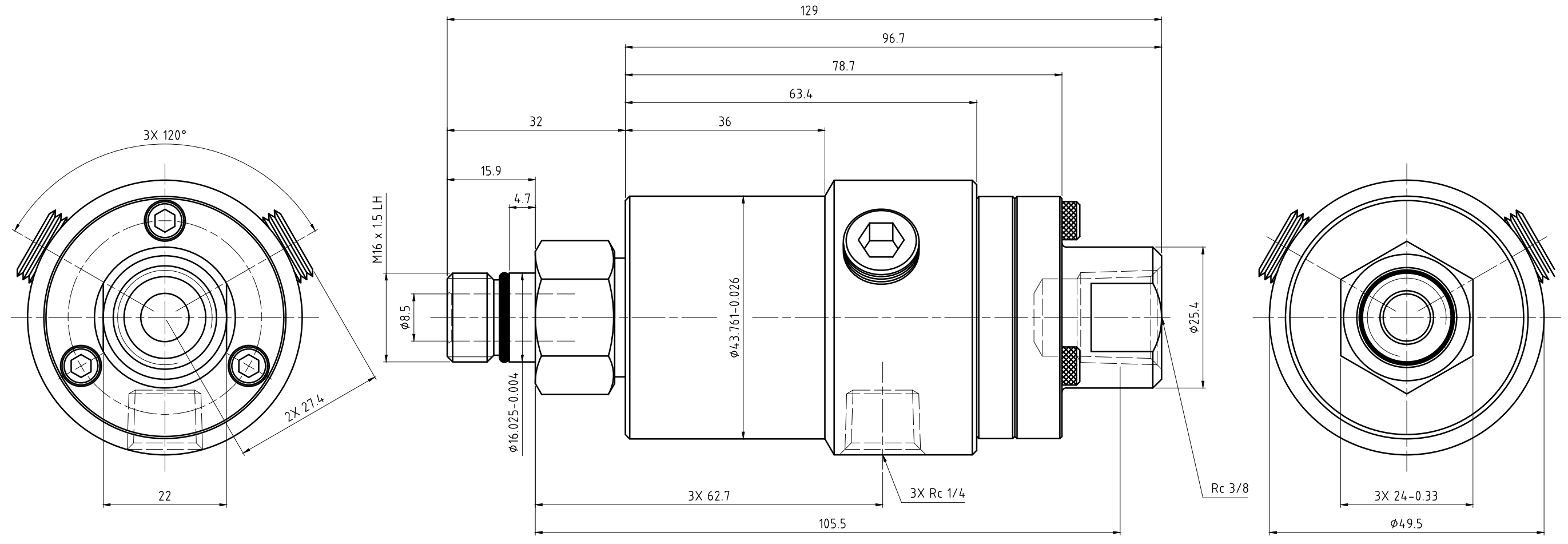
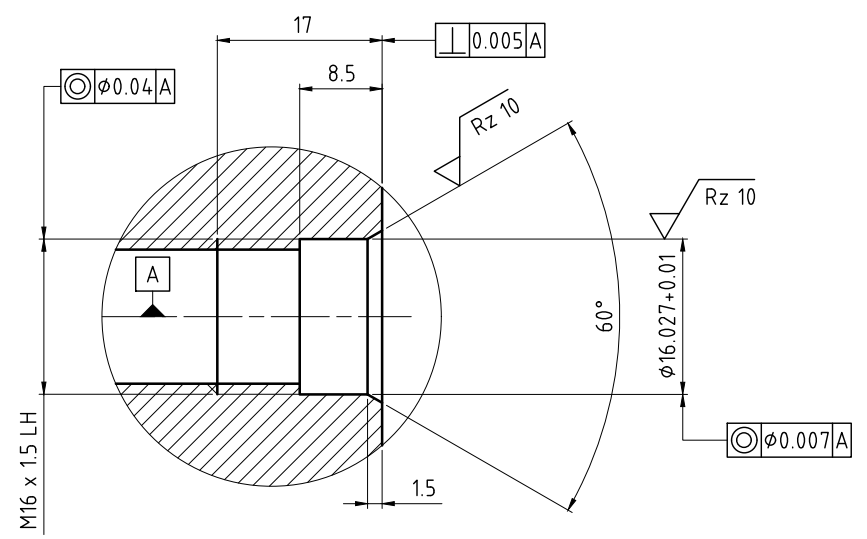


NOTES:
 1 - AIR FUNCTIONS IN A CONTROLLED LEAKAGE CONDITION.



CUSTOMER INTERFACE



OPERATING DATA				
MEDIA		COOLANT	MQL	1 AIR
MEDIA PRESSURE	MAXIMUM	105 bar	10 bar	10 bar
	MINIMUM	4 bar	4 bar	4 bar
FLOW RATE	MAXIMUM	82 L/min	3810 NL/min	3810 NL/min
	MINIMUM	6 L/min	360 NL/min	360 NL/min
TEMPERATURE	MAXIMUM	70 °C	70 °C	70 °C
	MINIMUM	5 °C	5 °C	5 °C
MAXIMUM SPEED		15000 min ⁻¹	15000 min ⁻¹	15000 min ⁻¹
DRY RUN		UNLIMITED		
RECOMMENDED FILTRATION		ISO 4406 CLASS 17/15/12		

DEUBLIN
 Engineered for Performance

PROJECTION:

SCALE: 2:1

MATERIAL: INTERFACE CONTROL DRAWING

TITLE: DEUBLIN AUTONSENSE UNION

NO. 904-141-192

SHEET A2

DATE	NAME	TITLE
DRN. 11/06/2008	LG	
ENGR. 11/07/2008	AL	
APPD.		

ISSUE	MODIFICATION	ECO	DATE	RA	SIGN
B	UPDATED OP DATA	0284.12	05/14	RA	

UNLESS SPECIFICALLY TOLERANCED, ALL DIMENSIONS ARE CONSIDERED REFERENCE