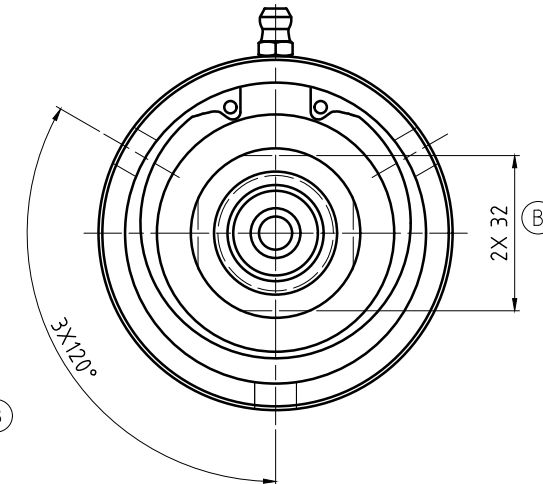
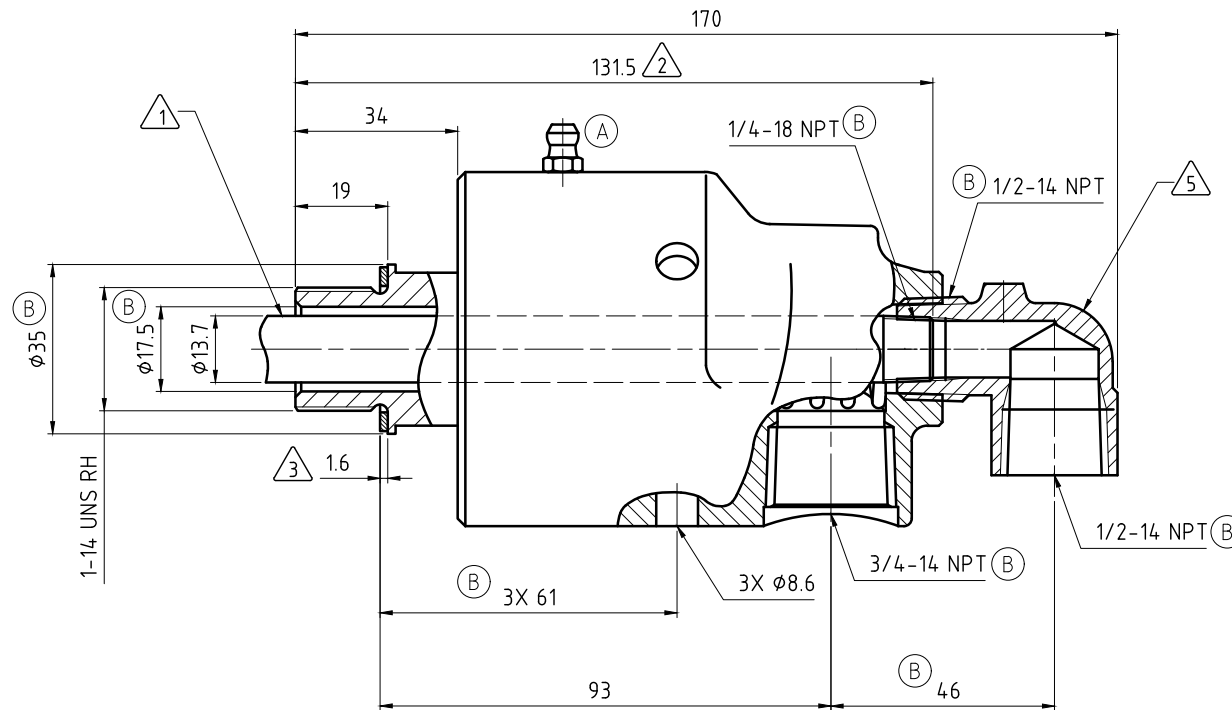
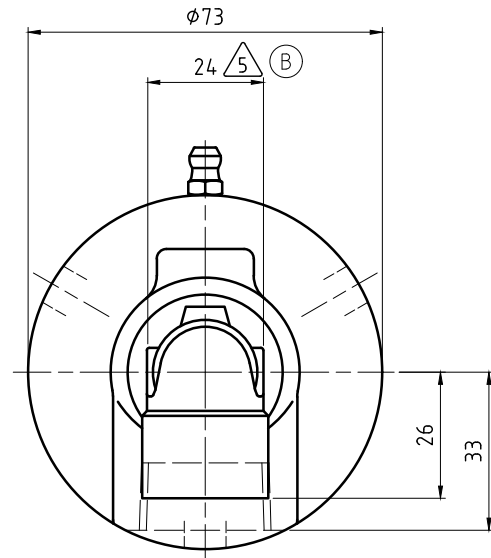


CONFIDENTIAL  
 THIS DOCUMENT CONTAINS CONFIDENTIAL AND PROPRIETARY  
 INFORMATION OF DEUBLIN COMPANY. COPYING, USE,  
 TRANSMISSION, DISTRIBUTION, AND DISCLOSURE ARE SUBJECT  
 TO THE TERMS AND CONDITIONS CONTAINED IN YOUR  
 AGREEMENT WITH DEUBLIN COMPANY. ALL RIGHTS RESERVED.

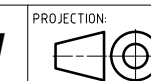
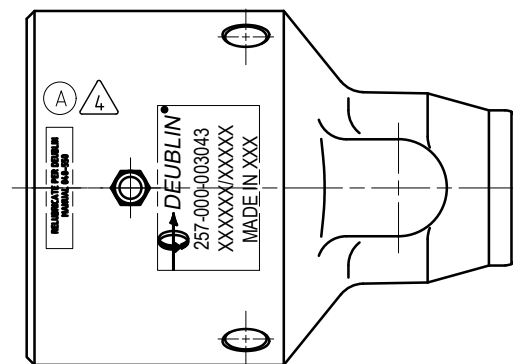
NOTES:

- ① - PIPE SUPPLIED BY CUSTOMER. PIPE SIZE: 1/4"
- ② - PIPE LENGTH.
- ③ - GASKET THICKNESS.
- ④ - CONTACT DEUBLIN OR VISIT WWW.DEUBLIN.COM FOR INSTRUCTION MANUAL: 040-550
- ⑤ - FITTING TO BE ASSEMBLED HAND-TIGHT, OR MAY BE SHIPPED UNASSEMBLED. (B)



OPERATING DATA (A)

MEDIA	WATER	SATURATED STEAM (INTERMITTENT)	THERMAL OIL
PRESSURE MAX.	50 bar	1 bar	6.6 bar
SPEED MAX.	3500 min <sup>-1</sup>		
TEMPERATURE MAX.	(B) 121 °C		
DRY RUN (WITHOUT ANY MEDIA)	NO		
(B) RECOMMENDED FILTRATION	60 micron		



PROJECTION: 1:1  
 SCALE: 1:1  
 MATERIAL: INTERFACE CONTROL DRAWING

DATE	NAME	TITLE
DRN. 02/22/2010	galindolm	DEUBLIN UNION
ENGR.		
APPD.		

NO. 257-000-003043  
 SHEET A2

ISSUE/MODIFICATION	ECO	DATE	SIGN
B	SEE CD	60432	03/21 DY
A	SEE CD	055612	05/16 TG

UNLESS SPECIFICALLY TOLERANCED, ALL DIMENSIONS ARE CONSIDERED REFERENCE